

代號：10110-11310  
40110-41510  
60110-60310  
70110  
90110-90510  
頁次：2-1

# 109年公務人員特種考試司法人員、法務部 調查局調查人員、國家安全局國家安全情報 人員、海岸巡防人員及移民行政人員考試試題

考試別：司法人員、調查人員、國家安全情報人員、海岸巡防人員、移民行政人員

等別：三等考試

類科組：各類科組

科目：國文（作文、公文與測驗）

考試時間：2小時

※注意：禁止使用電子計算器。

更多國安考試科目的歷屆題庫  
立即上網搜尋“國安考試歷屆考古題”  
高鋒公職補習班整理  
Line@帳號：@gaofeng  
連絡電話：07-236-7296

座號：\_\_\_\_\_

甲、作文與公文部分：

(一)請以藍、黑色鋼筆或原子筆在申論試卷上由左至右橫式作答，於本試題上作答者，不予計分。

(二)不得於試卷上書寫姓名或座號。

## 一、作文：（60分）

輿論為社會之公議，具有重大影響力。「千夫所指，無疾而死」，正面的輿論可以發揮道德制裁的力量，監督或糾正社會上不當的人、事、物。反面的輿論因網路、社群媒體普及，在現代社會中顯得更為活躍，例如謠言流傳、惡言攻擊或有意製造說法帶風向等，皆是輿論造成巨大負面影響的例子。處於今日的我們，應如何看待輿論？請以「現代社會中的輿論力量」為題，作文一篇，舉例討論輿論在現今社會裡的正面及反面兩種影響，並說明我們應如何面對、處理輿論。

## 二、公文：（20分）

今年夏天臺灣特別炎熱，氣溫屢破百年來的高溫紀錄。2015年巴黎峰會要求各國訂定減碳目標，希望控制全球溫度於本世紀末上升不超過攝氏1.5度，而臺灣亦於2015年通過「溫室氣體減量及管理法」，訂定目標2050年的溫室氣體碳排放量減到2005年的一半以下。試擬行政院環境保護署致函直轄市政府，為能達成政府既定減碳目標，除工廠和汽、機車務須嚴格管理外，於都市內綠建築、綠道路之推動亦須全力以赴。

乙、測驗部分：（20分）

代號：1101

(一)本測驗試題為單一選擇題，請選出一個正確或最適當的答案，複選作答者，該題不予計分。

(二)共10題，每題2分，須用2B鉛筆在試卡上依題號清楚劃記，於本試題或申論試卷上作答者，不予計分。

1 下列選項，何者可作為女性八十大壽之賀聯？

- (A)玉鏡能諧溫嶠志，荊釵甘為伯鸞容 (B)蟠桃已結瑤池露，玉樹長留閨苑春  
(C)瓊島尚存千歲果，商山舊有五雲芝 (D)慈竹當風空有影，晚萱經雨不留芳

2 下列各組「」中的字，前後意思相同的是：

- (A)「師」心自用／班「師」回朝 (B)「諸」子百家／付「諸」行動  
(C)「削」足適履／「削」方為圓 (D)無與「倫」比／語無「倫」次

3 「諸葛武侯與宣王在渭濱，將戰，宣王戎服蒞事，使人觀武侯，乘素輿，著葛巾，持白羽扇，指麾三軍，眾軍皆隨其進止。宣王聞而嘆曰：『可謂名士矣！』」

上文所謂的「名士」，其意為何？

- (A)和光同塵 (B)悠然從容 (C)大行不顧細謹 (D)小德出入無妨

- 4 「今夫藥石之儲，不能皆和平也，而悍毒者有之；不能皆真良也，而偽蠱者有之。彼良醫之遊於其間也，審病者之脈理，知藥石之性味，擇之精而用之適其宜，是以百發而百中。至非能醫者，而以其病而遊焉，概取而試之，苟其不中，得無遇毒以益病而戕其身也哉？不明乎理，而惟書是信，取之不當，以至於悖理違道者，得無類是乎？」本文所說關於讀書的道理，與下列何者最為接近？  
(A)醫俗無別方，唯有讀書是 (B)讀有字書，卻要識無字理  
(C)書不可不信，亦不可必信 (D)士欲宣其義，必先讀其書
- 5 承上題，醫病與治國之間，有相通的道理。本文所述之理，與下列何者最為接近？  
(A)得道者多助，失道者寡助  
(B)以法服人，其外若密，其中實疏  
(C)聖王之治天下也，必先公，公則天下平矣  
(D)不期脩古，不法常可，論世之事，因為之備
- 6 《禮記·學記》：「良冶之子，必學為裘；良弓之子，必學為箕；始駕馬者反之，車在馬前；君子察於此三者，可以有志於學矣。」  
上文是舉實例說明初學者應當：  
(A)立定志向，才能學有所成 (B)先打基礎，才能進階學習  
(C)多方涉獵，才能精進技藝 (D)舉一反三，才能觸類旁通
- 7 臺俗好迎神賽會，連橫《雅堂筆記》嘗云：「臺灣迎賽，輒裝臺閣。」他經常為商家設計充滿特色的臺閣，皆各就其生意而搜集故事，如香舖之「紅袖焚香」，茶舖之「樵青煮茶」，藥材行之「韓康賣藥」，餅舖之「紅綾賜宴」等。  
根據上文，下列臺閣設計何者與商家屬性不符？  
(A)唐宮鑄鳳：銀店 (B)夜泊秦淮：酒家 (C)天孫織錦：綢緞商 (D)火樹銀花：植栽店
- 8 下列詩詞，何者寓含「思鄉」情感？  
(A)何處秋風至，蕭蕭送雁群。朝來入庭樹，孤客最先聞  
(B)蒼蒼竹林寺，杳杳鐘聲晚。荷笠帶夕陽，青山獨歸遠  
(C)北風吹白雲，萬里渡河汾。心緒逢搖落，秋聲不可聞  
(D)對酒不覺暝，落花盈我衣。醉起步溪月，鳥還人亦稀
- 9 《辭源》裡，葉字的最主要解釋稱之為「植物的營養器官之一」，除此而外，葉還是「花瓣」，是「書冊中的一頁」，是「時期」（如大唐中葉），是「輕小之物」（如蘇軾的「駕一葉之扁舟，舉匏樽以相屬」）；還有，葉破音為「嗇」，是春秋時楚國的大邑，以及姓氏。從這些漫射延伸的意義，這個字導引我們走去的，便不僅是秋天而已，我們還會想到時間和歷史的記錄書寫，想到小舟任江湖的無羈自由，一種回到本源的亙古鄉愁，以及某種化作春泥更護花的大自然柔婉生死循環。宋代趙蕃的〈白髮詩〉有這麼兩句：「葉落歸根莫謾悲，春風解發次年枝。」差不多就是這個意思。  
依據上文，關於文字意義的發生及演變，下列選項何者錯誤？  
(A)大都有根有源 (B)可以不斷延伸 (C)受到作家影響 (D)必然棄舊換新
- 10 老鼠掉進了半滿米缸，意外讓牠喜不自禁。確定沒有危險後，牠一頓猛吃，吃完便睡。就這樣在米缸裡吃了睡、睡了吃。美好的日子總是很快地溜過去，米缸快要見底時，牠還是擺脫不了大米的誘惑。最後，米吃完了，才發現跳出去只是夢想，一切已無能為力。  
下列選項，何者不足以說明上文意旨？  
(A)平時不慎，臨事倉皇 (B)人無遠慮，必有近憂  
(C)因小失大，得不償失 (D)咎由自取，後悔莫及

代號：10110-11310  
40110-41510  
60110-60310  
70110  
90110-90510  
頁次：2-1

109年公務人員特種考試司法人員、法務部  
調查局調查人員、國家安全局國家安全情報  
人員、海岸巡防人員及移民行政人員考試試題

考試別：司法人員、調查人員、國家安全情報人員、海岸巡防人員、移民行政人員

等別：三等考試

類科組：各類科組

科目：國文（作文、公文與測驗）

考試時間：2小時

座號：\_\_\_\_\_

※注意：禁止使用電子計算器。

甲、作文與公文部分：

(一)請以藍、黑色鋼筆或原子筆在申論試卷上由左至右橫式作答，於本試題上作答者，不予計分。

(二)不得於試卷上書寫姓名或座號。

一、作文：（60分）

輿論為社會之公議，具有重大影響力。「千夫所指，無疾而死」，正面的輿論可以發揮道德制裁的力量，監督或糾正社會上不當的人、事、物。反面的輿論因網路、社群媒體普及，在現代社會中顯得更為活躍，例如謠言流傳、惡言攻擊或有意製造說法帶風向等，皆是輿論造成巨大負面影響的例子。處於今日的我們，應如何看待輿論？請以「現代社會中的輿論力量」為題，作文一篇，舉例討論輿論在現今社會裡的正面及反面兩種影響，並說明我們應如何面對、處理輿論。

二、公文：（20分）

今年夏天臺灣特別炎熱，氣溫屢破百年來的高溫紀錄。2015年巴黎峰會要求各國訂定減碳目標，希望控制全球溫度於本世紀末上升不超過攝氏1.5度，而臺灣亦於2015年通過「溫室氣體減量及管理法」，訂定目標2050年的溫室氣體碳排放量減到2005年的一半以下。試擬行政院環境保護署致函直轄市政府，為能達成政府既定減碳目標，除工廠和汽、機車務須嚴格管理外，於都市內綠建築、綠道路之推動亦須全力以赴。

乙、測驗部分：（20分）

代號：1101

(一)本測驗試題為單一選擇題，請選出一個正確或最適當的答案，複選作答者，該題不予計分。

(二)共10題，每題2分，須用2B鉛筆在試卡上依題號清楚劃記，於本試題或申論試卷上作答者，不予計分。

1 下列選項，何者可作為女性八十大壽之賀聯？

- (A)玉鏡能諧溫嶠志，荊釵甘為伯鸞容 (B)蟠桃已結瑤池露，玉樹長留閨苑春  
(C)瓊島尚存千歲果，商山舊有五雲芝 (D)慈竹當風空有影，晚萱經雨不留芳

2 下列各組「」中的字，前後意思相同的是：

- (A)「師」心自用／班「師」回朝 (B)「諸」子百家／付「諸」行動  
(C)「削」足適履／「削」方為圓 (D)無與「倫」比／語無「倫」次

3 「諸葛武侯與宣王在渭濱，將戰，宣王戎服蒞事，使人觀武侯，乘素輿，著葛巾，持白羽扇，指麾三軍，眾軍皆隨其進止。宣王聞而嘆曰：『可謂名士矣！』」

上文所謂的「名士」，其意為何？

- (A)和光同塵 (B)悠然從容 (C)大行不顧細謹 (D)小德出入無妨

- 4 「今夫藥石之儲，不能皆和平也，而悍毒者有之；不能皆真良也，而偽蠱者有之。彼良醫之遊於其間也，審病者之脈理，知藥石之性味，擇之精而用之適其宜，是以百發而百中。至非能醫者，而以其病而遊焉，概取而試之，苟其不中，得無遇毒以益病而戕其身也哉？不明乎理，而惟書是信，取之不當，以至於悖理違道者，得無類是乎？」本文所說關於讀書的道理，與下列何者最為接近？  
(A)醫俗無別方，唯有讀書是 (B)讀有字書，卻要識無字理  
(C)書不可不信，亦不可必信 (D)士欲宣其義，必先讀其書
- 5 承上題，醫病與治國之間，有相通的道理。本文所述之理，與下列何者最為接近？  
(A)得道者多助，失道者寡助  
(B)以法服人，其外若密，其中實疏  
(C)聖王之治天下也，必先公，公則天下平矣  
(D)不期脩古，不法常可，論世之事，因為之備
- 6 《禮記·學記》：「良冶之子，必學為裘；良弓之子，必學為箕；始駕馬者反之，車在馬前；君子察於此三者，可以有志於學矣。」  
上文是舉實例說明初學者應當：  
(A)立定志向，才能學有所成 (B)先打基礎，才能進階學習  
(C)多方涉獵，才能精進技藝 (D)舉一反三，才能觸類旁通
- 7 臺俗好迎神賽會，連橫《雅堂筆記》嘗云：「臺灣迎賽，輒裝臺閣。」他經常為商家設計充滿特色的臺閣，皆各就其生意而搜集故事，如香舖之「紅袖焚香」，茶舖之「樵青煮茶」，藥材行之「韓康賣藥」，餅舖之「紅綾賜宴」等。  
根據上文，下列臺閣設計何者與商家屬性不符？  
(A)唐宮鑄鳳：銀店 (B)夜泊秦淮：酒家 (C)天孫織錦：綢緞商 (D)火樹銀花：植栽店
- 8 下列詩詞，何者寓含「思鄉」情感？  
(A)何處秋風至，蕭蕭送雁群。朝來入庭樹，孤客最先聞  
(B)蒼蒼竹林寺，杳杳鐘聲晚。荷笠帶夕陽，青山獨歸遠  
(C)北風吹白雲，萬里渡河汾。心緒逢搖落，秋聲不可聞  
(D)對酒不覺暝，落花盈我衣。醉起步溪月，鳥還人亦稀
- 9 《辭源》裡，葉字的最主要解釋稱之為「植物的營養器官之一」，除此而外，葉還是「花瓣」，是「書冊中的一頁」，是「時期」（如大唐中葉），是「輕小之物」（如蘇軾的「駕一葉之扁舟，舉匏樽以相屬」）；還有，葉破音為「嗇」，是春秋時楚國的大邑，以及姓氏。從這些漫射延伸的意義，這個字導引我們走去的，便不僅是秋天而已，我們還會想到時間和歷史的記錄書寫，想到小舟任江湖的無羈自由，一種回到本源的互古鄉愁，以及某種化作春泥更護花的大自然柔婉生死循環。宋代趙蕃的〈白髮詩〉有這麼兩句：「葉落歸根莫謾悲，春風解發次年枝。」差不多就是這個意思。  
依據上文，關於文字意義的發生及演變，下列選項何者錯誤？  
(A)大都有根有源 (B)可以不斷延伸 (C)受到作家影響 (D)必然棄舊換新
- 10 老鼠掉進了半滿米缸，意外讓牠喜不自禁。確定沒有危險後，牠一頓猛吃，吃完便睡。就這樣在米缸裡吃了睡、睡了吃。美好的日子總是很快地溜過去，米缸快要見底時，牠還是擺脫不了大米的誘惑。最後，米吃完了，才發現跳出去只是夢想，一切已無能為力。  
下列選項，何者不足以說明上文意旨？  
(A)平時不慎，臨事倉皇 (B)人無遠慮，必有近憂  
(C)因小失大，得不償失 (D)咎由自取，後悔莫及

# 測驗式試題標準答案

考試名稱：109年公務人員特種考試司法人員、法務部調查局調查人員、國家安全局國家安全情報人員、海岸巡防人員及移民行政人員考試

類科名稱：檢察事務官電子資訊組、司法事務官法律事務組、監獄官(男)、觀護人(選試社會工作概論)、公證人、心理測驗員、檢察事務官財經實務組、司法事務官營繕工程事務組、觀護人(選試少年事件處理法)、監獄官(女)、檢察事務官偵查實務組、檢察事務官營繕工程組、法院書記官、調查工作組(選試法文)、調查工作組(選試德文)、調查工作組(選試俄文)、資訊科學組、電子科學組、化學鑑識組、法律實務組、調查工作組(選試西班牙文)、調查工作組(選試阿拉伯文)、調查工作組(選試英文)、調查工作組(選試韓文)、營繕工程組、醫學鑑識組、調查工作組(選試日文)、財經實務組、情報組(選試英文)、政經組(選試英文)、資訊組(選試英文)、海洋巡邏科輪機組、移民行政(選試印尼文)、移民行政(選試越南文)、移民行政(選試日文)、移民行政(選試泰文)、移民行政(選試英文)

科目名稱：國文(作文、公文與測驗)(試題代號：1101)

更多國安考試科目的歷屆題庫  
立即上網搜尋“國安考試歷屆考古題”  
高鋒公職補習班整理  
Line@帳號：@gaofeng  
連絡電話：07-236-7296

單選題數：10題

單選每題配分：2.00分

複選題數：

複選每題配分：

標準答案：

題號	第1題	第2題	第3題	第4題	第5題	第6題	第7題	第8題	第9題	第10題
答案	B	C	B	C	D	B	D	A	D	A

題號	第11題	第12題	第13題	第14題	第15題	第16題	第17題	第18題	第19題	第20題
答案										

題號	第21題	第22題	第23題	第24題	第25題	第26題	第27題	第28題	第29題	第30題
答案										

題號	第31題	第32題	第33題	第34題	第35題	第36題	第37題	第38題	第39題	第40題
答案										

題號	第41題	第42題	第43題	第44題	第45題	第46題	第47題	第48題	第49題	第50題
答案										

題號	第51題	第52題	第53題	第54題	第55題	第56題	第57題	第58題	第59題	第60題
答案										

題號	第61題	第62題	第63題	第64題	第65題	第66題	第67題	第68題	第69題	第70題
答案										

題號	第71題	第72題	第73題	第74題	第75題	第76題	第77題	第78題	第79題	第80題
答案										

題號	第81題	第82題	第83題	第84題	第85題	第86題	第87題	第88題	第89題	第90題
答案										

題號	第91題	第92題	第93題	第94題	第95題	第96題	第97題	第98題	第99題	第100題
答案										

備註：



代號：40140  
60140-60340  
頁次：4-1

109年公務人員特種考試司法人員、法務部  
調查局調查人員、國家安全局國家安全情報  
人員、海岸巡防人員及移民行政人員考試試題

考試別：調查人員、國家安全情報人員  
等別：三等考試  
類科組：調查工作組（選試英文）、各組別（選試英文）  
科目：外國文（英文）  
考試時間：2小時

※注意：禁止使用電子計算器。

更多國安考試科目的歷屆題庫  
立即上網搜尋“國安考試歷屆考古題”  
高鋒公職補習班整理  
Line@帳號：@gaofeng  
連絡電話：07-236-7296

座號：\_\_\_\_\_

甲、申論題部分：（50分）

- (一)不必抄題，作答時請將試題題號及答案依照順序寫在申論試卷上，於本試題上作答者，不予計分。  
(二)請以藍、黑色鋼筆或原子筆在申論試卷上作答。

一、英譯中：（15分）

Although the world of today has a very vivid sense of its unity and of how one man depends on another in needful solidarity, it is most grievously torn into opposing camps by conflicting forces. True, there is a growing exchange of ideas, but the very words by which key concepts are expressed take on quite different meanings in diverse ideological systems.

二、中譯英：（15分）

眾人皆知我們的大腦和身體無時無刻不在互傳訊息。也就是說，我們的身體對我們的思維會不斷作出反應。當我們有正面的想法時，我們的大腦就會釋放出讓我們的身體感到愉悅的化學物質。因此，我們高興時，肌肉就會放鬆，心跳會變慢，呼吸速度也會趨緩。

三、英文作文：（20分）

According to a recent report by the *World Population Review*, Taiwan has the lowest fertility rate in the list of 200 countries. This phenomenon may have impacts on our society. Write an English essay in NO MORE THAN 200 words to express your opinions, positive and negative, with supportive reasons or illustrations.

乙、測驗題部分：（50分）

代號：4401

- (一)本測驗試題為單一選擇題，請選出一個正確或最適當的答案，複選作答者，該題不予計分。  
(二)共40題，每題1.25分，須用2B鉛筆在試卡上依題號清楚劃記，於本試題或申論試卷上作答者，不予計分。

- \_\_\_\_\_ being a well-known tennis player, he also runs several restaurants.  
(A) Apart from (B) In fact (C) Moreover (D) Regarding
- The Environmental Protection Agency (EPA) has been promoting electric motorcycles to help \_\_\_\_\_ greenhouse gas emissions.  
(A) repeat (B) reduce (C) return (D) reuse
- He has been smoking cigarettes for many years. The habit is his \_\_\_\_\_ and formidable foe.  
(A) reconfigured (B) evacuated (C) inveterate (D) evicted
- Professor Chen sometimes \_\_\_\_\_ the chairman, who trusts her as both a colleague and an old friend.  
(A) falls out of (B) fills out for (C) falls in (D) fills in for
- Weather is \_\_\_\_\_, so it is unwise to travel without checking the forecast.  
(A) unparalleled (B) unpredictable (C) unprecedented (D) unproblematic

- 6 There were no \_\_\_\_\_ on the table, so I had to eat the roasted lamb chops with my hands.  
(A) umpires (B) ushers (C) utensils (D) groceries
- 7 Dubai has established various free trade zones, where international companies are encouraged to locate with the \_\_\_\_\_ of zero percent taxes.  
(A) decline (B) obstacle (C) promise (D) restriction
- 8 \_\_\_\_\_ your account unpaid within terms, a late payment charge will be added in the bill next month.  
(A) As if (B) Due to (C) In lieu of (D) In spite of
- 9 Steve was accused of paying the employee for trade secrets and \_\_\_\_\_ information.  
(A) autonomous (B) delinquent (C) confidential (D) ludicrous
- 10 The Transportation Security Administration program has existed since 2010 as an effort to \_\_\_\_\_ the threat posed by possible terrorists after identifying people based on their travel history or other criteria.  
(A) mitigate (B) compensate (C) designate (D) detonate
- 11 Ireland voted to repeal its near-ban on \_\_\_\_\_, which previously had subjected many women to cruel and inhuman treatments.  
(A) amusements (B) abortions (C) allowances (D) allocations
- 12 The government of Sierra Leone had ordered its people to shelter at home because the Ebola \_\_\_\_\_ was out of control. It was time to take desperate measures to stop the spreading of this disease.  
(A) epic (B) evolution (C) epidemic (D) evacuation
- 13 The misogynistic politician's victory in the election \_\_\_\_\_ a massive wave of protests among activists, especially women.  
(A) spared (B) spoiled (C) sparked (D) spattered
- 14 The policemen in Australia have identified an \_\_\_\_\_ serial killer behind three previously unlinked murders, but they can't arrest the suspect due to lack of evidence.  
(A) allied (B) alleged (C) allured (D) alleviated
- 15 A group of Mexican men, all members of an international sex trafficking organization, were \_\_\_\_\_ to the United States and tried for crimes committed in the state of New York.  
(A) escaped (B) escorted (C) extradited (D) extracted
- 16 While there has been a considerable population of migrant workers in Taiwan for quite a few years now, it is debatable whether it has become easier for them to \_\_\_\_\_ into society.  
(A) formulate (B) accommodate (C) assimilate (D) combine
- 17 The cruel treatment inflicted upon these prisoners of war irrefutably \_\_\_\_\_ the UN human rights convention, yet little action has been taken against the tyrannical government responsible for the atrocity.  
(A) contravenes (B) prohibits (C) convenes (D) plagiarizes
- 18 Given the dismally high numbers of frauds getting past immigration checkpoints this past year, the passport and identity \_\_\_\_\_ process could be improved.  
(A) visualization (B) verification (C) vetoing (D) voting
- 19 Creative methods of drug \_\_\_\_\_ were devised, with women swallowing plastic baggies of cocaine and travelling into the country.  
(A) smuggling (B) embezzling (C) stealing (D) thieving
- 20 When people feel so \_\_\_\_\_ about staying in their home country, they might presumably seek help to move to a better place.  
(A) numb (B) cautious (C) distressed (D) sympathetic

請回答下列第21題至第25題

Humans are a fundamentally social species. They are unable to reproduce and 21 to reproductive age without a group. They lack natural 22 such as slashing canines, bodily armor, or fleetness of foot; they have an extended infancy 23 by years of further development before they reach reproductive maturity. Many of the evolved characteristics that have 24 humans to adapt to a wide range of physical environments, such as tool making and feeding on both animals and plants, and create dependence on collective knowledge and cooperative information sharing 25 individuals and between generations. Humans are, indeed, an *obligately interdependent* species.

- 21 (A) surpass (B) survive (C) surge (D) suspend  
22 (A) defenses (B) offenses (C) licenses (D) disasters  
23 (A) paralyzed (B) predicted (C) followed (D) diagnosed  
24 (A) penetrated (B) persuaded (C) pertained (D) permitted  
25 (A) among (B) about (C) as long as (D) as well as

請回答下列第26題至第30題

The mass media are a powerful influence on most people. News media and journalism outlets influence public opinion and democracy itself so their reach and power is not to be 26 lightly. The press has responsibilities to the public interest. Good journalism is good for democracy, but unfortunately the most popular news feeds in most Western countries have 27 poor-quality sensationalism, which is affecting democracy and undermining society. The worst culprit of the last few decades has been the Murdoch empire's outputs, complete 28 secret political deals that have made and broken entire governments. One of the UK government's former chief scientific advisers, Sir David King, pointed out that "the threat of terrorism is likely to be far less significant than climate change" but that climate change is too complicated and doesn't sell well, 29 terrorism "fits the requirements of our news culture perfectly." The result is a populace that don't understand the risks facing them. Sensationalism, drama, 30 argumentation and a concentration on frivolity make it hard to appreciate the complexities of the world. The effect is not merely to mislead its readers about the state of the world but to distort the whole political process.

- 26 (A) faced (B) ignored (C) taken (D) spoken  
27 (A) dawned on (B) degraded into (C) delved into (D) dwelled on  
28 (A) by (B) for (C) of (D) with  
29 (A) although (B) because (C) if (D) whereas  
30 (A) shallow (B) valid (C) legal (D) neutral

請回答下列第31題至第35題

The Canadian government is hoping to use artificial intelligence (AI) to inform how it mounts legal challenges to immigration and refugee claims as part of a new pilot program. Ottawa plans on using the emerging technology to reduce government lawyers' need to perform their own legal research, a costly and time-consuming process. But there are already concerns that the **nuanced** and difficult nature of many refugee and immigration claims may be lost on those government computer systems, leading to massive human-rights implications. And the government admits that it hopes to use AI and machine learning, eventually, to help determine refugee applications themselves. The plan is all laid out in a request for information submitted to industry.

The request for information asks industry to submit their own technological solutions for a joint pilot project, run by Citizenship and Immigration Canada and Justice Canada, to "support case law and legal research, facilitate trend analysis in litigation, predict litigation outcomes, and help develop legal advice and assessments," according to a government spokesperson. The government hopes that, if the pilot is a success, front-line immigration officials in Canada and abroad could use this technology "to aid in their assessment of the merits of an application before decisions are finalized."

Lex Gill, a research fellow who specializes in AI and public policy, said replacing human work with algorithms, especially if the data that goes into them is itself flawed, will always pose potential human-rights concerns. "There is the risk that instead of improving the situation, these technologies may just entrench or encourage unfair or discriminatory practices," she said. But while the debate around those risks continues, Ottawa is already getting set to roll out the pilot project.

- 31 Which of the following is the best title of this passage?  
(A) Government Computer Systems Related to Human-Rights Implications.  
(B) Government Looking to AI in Addressing Issues with Immigration.  
(C) Possible Legal Challenges to Immigration and Refugee Claims in Ottawa.  
(D) The Use of AI to Entrench Discriminatory Legal Practices in Canada.
- 32 According to the passage, what may be the reason for the Canadian government to use the emerging technology?  
(A) It may aid industry to submit their own technological solutions for immigration.  
(B) It may lead to massive human-rights implications in government computer systems.  
(C) It may reduce the need to perform costly and time-consuming legal research.  
(D) It may replace human work with algorithms and pose potential human-rights concerns.



- 33 According to the passage, which of the following statements is true?  
(A) Using AI technology in immigration in Canada may raise human rights issues.  
(B) Ottawa has adopted the emerging technology to predict litigation outcomes.  
(C) The Canadian government has successfully used AI to determine refugee applications.  
(D) The data on the Canadian government computer systems is itself flawed.
- 34 According to the last sentence in the passage, which of the following best describes the decision of Ottawa?  
(A) Ottawa is about to estimate risks of the pilot project.  
(B) Ottawa is already terminating the pilot project.  
(C) Ottawa is considering to postpone the pilot project.  
(D) Ottawa is getting ready to execute the pilot project.
- 35 What is the word “**nuanced**” in the passage closest in meaning to?  
(A) A little awkward. (B) A bit notorious. (C) Slightly different. (D) Somewhat annoyed.

請回答下列第36題至第40題

One of the most fashionable ideas in business is that companies should earn their crust from subscribers, who are “locked in” for a period of time, rather than from customers who can easily switch to another provider at any time. Subscription models are seen by many investors and executives as **the holy grail**, because they promise a recurring stream of revenue. But the approach suffers from three underappreciated problems. Acquiring subscribers can be eye-wateringly expensive. Their urge to run away is often only temporarily suppressed. And consumers may have more than one relationship at a time.

The best-known subscription model is probably Amazon Prime. It has about 80m members in America alone and for \$99 a year offers film and music, speedy delivery of goods and even discounts on goods such as baby food. There are many other examples. Netflix offers a wall of TV for a monthly fee. And more are coming. Venture-capital firms are pouring money into subscription-based home-delivery firms that bring to your doorstep meals, pills or even fresh underpants. Zuora, a software firm, talks of the rise of the “subscription economy.”

Several star firms floating their shares this year have subscription models. Dropbox, a cloud-storage firm, listed on NASDAQ on March 23rd and is worth \$13bn. It boasts 500m registered users and wants to convert them into “paying users,” of whom there are already 11m, who get a superior service. Spotify, a music streaming firm that listed on April 3rd, has 159m users but derives its \$27bn valuation from 71m “premium subscribers” who pay to listen without adverts. On average each generates 13 times more sales and 27 times more gross profit than users who pay no fee.

- 36 What is the main message of this passage?  
(A) More companies are now changing to subscription approach to make profits.  
(B) Amazon Prime is a good example to illustrate the new subscription addiction.  
(C) Dropbox and many other star firms are floating their shares.  
(D) More home-delivery companies are offering new programs to get more “paying users.”
- 37 Which of the following phrases can best replace “**the holy grail**” in the passage?  
(A) the emperor’s new clothes (B) the religious fountain  
(C) the ultimate solution (D) the way home
- 38 Which of the following is **NOT** a problem for companies that adopt subscription models?  
(A) The high cost to find subscribers.  
(B) Most subscribers liable to be from the high-income family.  
(C) The subscribers incapable of controlling their desire to change their providers.  
(D) Subscribers prone to make purchases with several firms at the same time.
- 39 According to this article, what is **NOT** included in Amazon Prime’s \$99-program?  
(A) Discounts on food (B) Films  
(C) Speedy delivery of goods (D) No adverts for music
- 40 According to the passage, which of the following firms has had ten times more sales from their paying users than users who pay no fee?  
(A) Amazon Prime (B) Zuora (C) Netflix (D) Dropbox

# 測驗式試題標準答案

考試名稱：109年公務人員特種考試司法人員、法務部調查局調查人員、國家安全局國家安全情報人員、海岸巡防人員及移民行政人員考試

類科名稱：調查工作組(選試英文)、情報組(選試英文)、政經組(選試英文)、資訊組(選試英文)

科目名稱：外國文(英文)(試題代號：4401)

單選題數：40題

單選每題配分：1.25分

複選題數：

複選每題配分：

標準答案：

更多國安考試科目的歷屆題庫  
立即上網搜尋“國安考試歷屆考古題”  
高鋒公職補習班整理  
Line@帳號：@gaofeng  
連絡電話：07-236-7296

題號	第1題	第2題	第3題	第4題	第5題	第6題	第7題	第8題	第9題	第10題
答案	A	B	C	D	B	C	C	B	C	A

題號	第11題	第12題	第13題	第14題	第15題	第16題	第17題	第18題	第19題	第20題
答案	B	C	C	B	C	C	A	B	A	C

題號	第21題	第22題	第23題	第24題	第25題	第26題	第27題	第28題	第29題	第30題
答案	B	A	C	D	A	C	B	D	D	A

題號	第31題	第32題	第33題	第34題	第35題	第36題	第37題	第38題	第39題	第40題
答案	B	C	A	D	C	A	C	B	D	D

題號	第41題	第42題	第43題	第44題	第45題	第46題	第47題	第48題	第49題	第50題
答案										

題號	第51題	第52題	第53題	第54題	第55題	第56題	第57題	第58題	第59題	第60題
答案										

題號	第61題	第62題	第63題	第64題	第65題	第66題	第67題	第68題	第69題	第70題
答案										

題號	第71題	第72題	第73題	第74題	第75題	第76題	第77題	第78題	第79題	第80題
答案										

題號	第81題	第82題	第83題	第84題	第85題	第86題	第87題	第88題	第89題	第90題
答案										

題號	第91題	第92題	第93題	第94題	第95題	第96題	第97題	第98題	第99題	第100題
答案										

備註：

109年公務人員特種考試司法人員、法務部  
調查局調查人員、國家安全局國家安全情報  
人員、海岸巡防人員及移民行政人員考試試題

代號：3401  
頁次：6-1

考試別：調查人員、國家安全情報人員

等別：三等考試

類科組：各組別

科目：綜合法政知識與英文（包括中華民國憲法、法學緒論、兩岸關係、英文）

考試時間：1小時

座號：\_\_\_\_\_

※注意：(一)本試題為單一選擇題，請選出一個正確或最適當的答案，複選作答者，該題不予計分。

(二)本科目共50題，每題2分，須用2B鉛筆在試卡上依題號清楚劃記，於本試題上作答者，不予計分。

(三)禁止使用電子計算器。

- 依司法院大法官解釋意旨，下列何者不受言論自由之保障？
  - 說明商品成分之標示
  - 歷史教師上課中所提及之個人政治主張
  - 在臉書上張貼反對政府廢核政策的內容
  - 在下班時段的捷運車廂中惡作劇高喊有老鼠
- 依據現行憲政體制，有關總統與行政院間關係，下列敘述何者錯誤？
  - 行政院院長辭職或出缺時，在總統未任命行政院院長前，由行政院副院長暫行代理
  - 副總統缺位時，應由行政院院長代行其職權
  - 行政院對於立法院決議之法律案，如認為有窒礙難行，於移請立法院覆議前，須經總統之核可
  - 立法院對行政院院長所提出之不信任案經表決通過時，行政院院長於辭職同時，得呈請總統解散立法院
- 關於憲法基本國策規定之效力，下列敘述何者錯誤？
  - 得補充基本權利之內涵及理論基礎
  - 得作為司法院大法官解釋之依據
  - 立法院未及時實現國家方針條款之規定，即屬違憲
  - 如為方針條款，立法院對如何實現相關規定之目的，有其裁量權
- 依司法院大法官解釋，關於憲法第8條人身自由之保障範圍，下列敘述何者正確？
  - 受刑人於入監服刑期間內，就其人身自由所受之限制，如有爭議，在服刑期滿前，均無司法救濟
  - 犯罪嫌疑人於偵查程序中聲請閱覽羈押審查相關卷證，係基於憲法第16條訴訟權，與憲法第8條人身自由之保障無關
  - 受羈押者受無罪判決確定後，向國家請求冤獄賠償，係基於憲法第15條財產權，與憲法第8條人身自由之保障無關
  - 受強制出境處分之大陸地區人民，如予強制收容，於收容前毋須經法院審問
- 依司法院大法官解釋，關於隱私權之內涵，下列敘述何者錯誤？
  - 隱私權之保障範圍，涵蓋保障個人生活私密領域免於他人侵擾及個人資料之自主控制
  - 個人資料自主控制之權利，係保障人民對於其自身之個人資料享有自主自決之知悉與控制權，以及資料記載錯誤之更正權
  - 基於人性尊嚴與個人主體性之維護及人格發展之完整，應透過修憲將其納入基本權利清單，方得確立其受憲法保障之地位
  - 隱私權之保障並非絕對，國家於符合憲法第23條規定意旨之範圍內，仍得以法律明確規定對之予以適當之限制

更多國安考試科目的歷屆題庫  
立即上網搜尋“國安考試歷屆考古題”  
高鋒公職補習班整理  
Line@帳號：@gaofeng  
連絡電話：07-236-7296

- 6 關於總統副總統之罷免，下列敘述何者錯誤？
- (A)罷免案須經全體立法委員四分之一之提議、三分之二同意後提出
  - (B)罷免案尚需交由人民投票才能決定是否通過
  - (C)罷免案經否決者，於其任期中得對之再為罷免之提議
  - (D)就職未滿一年者，不得罷免
- 7 關於立法院職權，下列敘述何者錯誤？
- (A)得聽取總統國情報告
  - (B)得對總統副總統提出彈劾案
  - (C)得聲請司法院大法官解釋
  - (D)得要求總統到院備詢
- 8 憲法第80條規定法官依據法律獨立審判。依司法院大法官解釋，上述規定所稱之法官，不包括下列何者？
- (A)檢察官
  - (B)大法官
  - (C)律師懲戒委員會委員
  - (D)律師懲戒覆審委員會委員
- 9 關於中央與地方自治團體之監督關係，下列敘述何者錯誤？
- (A)直轄市辦理自治事項之監督機關為行政院主管機關
  - (B)直轄市對行政院因監督其委辦事項所為之措施不服時，得聲請司法院大法官解釋
  - (C)行政院對直轄市之自治事項，僅得為合法性監督
  - (D)行政院對直轄市之委辦事項，得為合目的性及合法性監督
- 10 司法院大法官解釋憲法與統一解釋法令，兩者有相同之處，其相同處為何？
- (A)兩者若聲請不合規定者，均應不受理
  - (B)兩者若聲請解釋機關有上級機關者，其聲請均不可經上級機關層轉
  - (C)兩者均須與憲法基本人權有關
  - (D)兩者均應有大法官現有總額過半數之出席，及出席人數之同意，方得通過
- 11 關於地方制度法自治條例之規定，下列敘述何者錯誤？
- (A)創設、剝奪或限制地方自治團體居民之權利義務之事項，應以自治條例定之
  - (B)自治條例均應經地方立法機關通過，並由各該地方行政機關公布
  - (C)自治條例均應分別報經行政院、中央各該主管機關核定後發布
  - (D)自治條例與憲法、法律或基於法律授權之法規或上級自治團體自治條例牴觸者，無效
- 12 有關勞動基準法對於工作時間、休息、休假之敘述，下列何者錯誤？
- (A)勞工繼續工作八小時，至少應有三十分鐘之休息
  - (B)勞工每七日中至少應有一日之休息，作為例假
  - (C)除勞資雙方另有約定調休外，紀念日、勞動節日及其他由中央主管機關規定應放假之日，均應休假
  - (D)第36條所定之例假、第37條所定之休假及第38條所定之特別休假，工資應由雇主照給
- 13 關於現行憲法規定之修憲程序，下列敘述何者正確？
- (A)須經立法院立法委員三分之一提議，三分之二出席，及出席委員四分之三之決議提出憲法修正案
  - (B)須經立法院立法委員四分之一提議，四分之三出席，及出席委員四分之三之決議提出憲法修正案
  - (C)須經立法院立法委員二分之一提議，三分之二出席，及出席委員四分之三之決議提出憲法修正案
  - (D)須經立法院立法委員二分之一提議，四分之三出席，及出席委員四分之三之決議提出憲法修正案

- 14 下列何者並非妻之一方得以訴請裁判離婚的事由？  
(A)夫經醫學健康檢查發現無精蟲，不能生育  
(B)夫因工作長期派駐海外，並與他人重婚  
(C)夫於失蹤後，生死不明已逾五年  
(D)夫經常藉細故毆傷與漫罵侮辱妻和前夫所生之子女
- 15 A 社團法人的董事乙，其代表權受有不得為關於不動產交易的限制。依民法規定，此代表權的限制：  
(A)無效 (B)不得對抗第三人 (C)不得對抗善意第三人 (D)登記後始生效力
- 16 甲、乙分別有相鄰之 A、B 二地之所有權，甲在 A 地上建築 H 屋，因輕過失致 H 屋有約0.6平方公尺建在 B 地上。乙一開始即知 H 屋越界卻未曾提出異議，如今 H 屋已經完工。下列敘述何者正確？  
(A)乙得請求拆除 H 屋返還 B 地 (B)甲、乙間視為有使用借貸關係存在  
(C)乙得要求甲變更 H 屋 (D)乙得要求甲以相當之價額購買越界部分之土地
- 17 依民法之規定，關於要式契約，下列敘述何者錯誤？  
(A)終身定期金契約之訂立，應以書面為之，未以書面訂立者，終身定期金契約無效  
(B)逾一年期限之不動產租賃契約，應以字據訂立之，未以字據訂立者，視為不定期限之租賃  
(C)人事保證契約，應以書面為之，未以書面訂立者，人事保證契約無效  
(D)契約當事人約定其契約須一定方式者，該方式未完成前，其契約視為不成立
- 18 依實務見解，偷接有線電視觀看，並不成立竊盜罪，其理由在於傳輸的影音視訊乃電磁波的一種，使用後，物質的全部能量不會減少，所以非屬電能。此見解所採取的刑法原則為何？  
(A)從新從輕原則 (B)特別預防原則 (C)責任主義 (D)禁止類推適用
- 19 某離職之女性受僱者 A，向其原任職之學校提出口頭申訴表示遭該校副校長 B 以書信示愛性騷擾，該校所採取之措施，何者符合性別工作平等法之規定？  
(A)該受僱人已離職，學校無法處理  
(B)該校一經申訴，即組成申訴調查小組，進行調查  
(C)該校因受僱人未提出書面申請，所以必須直到補齊書面資料後，始進行調查  
(D)該校認為書信示愛，並非性騷擾，因而決定不予調查
- 20 依中央法規標準法之規定，法規內容繁複或條文較多者，得劃分為不同結構。下列何者非劃分法規內容時所使用之體例結構？  
(A)「第某章」 (B)「第某節」 (C)「第某項」 (D)「第某款」
- 21 2008年馬英九總統上任後，中共發表了「胡六點」做為對臺方針，下列何者並未包括於其中？  
(A)一個中國原則 (B)兩岸人員與經濟交流 (C)堅持一國兩制 (D)達成和平協議
- 22 蔡英文於520偕同賴清德宣誓就職中華民國第十五任正副總統，就職演說中提及關於兩岸關係思維，下列何者與其思維無關？  
(A)對等對話 (B)兩岸和平穩定  
(C)民主協商 (D)遵循中華民國憲法與兩岸人民關係條例
- 23 美國在近年來陸續通過若干友臺法案，請問下列那一部與鼓勵美臺政府官員互訪有關？  
(A)臺灣旅行法 (B)國防授權法  
(C)臺灣友邦國際保護暨強化倡議法 (D)臺灣保證法
- 24 下列何者不屬於日本對於兩岸關係的基本政策立場？  
(A)依據1972年簽訂「中日建交公報」界定中、日、臺之間關係  
(B)承認並遵守海峽兩岸同屬於一個中國的政策  
(C)政治與經濟關係二元分離  
(D)將臺灣納入美日安保條約「周邊有事」的範圍內

- 25 中共第十八屆三中全會後提出第五個現代化的概念，主要指涉的是下列那個領域？  
(A)工業 (B)國防 (C)科學技術 (D)國家治理能力
- 26 新冠肺炎疫情爆發之後，中國大陸總理李克強在今年提出「六保」，其中不包括下列那一項？  
(A)糧食安全 (B)基層運轉 (C)外來投資 (D)基本民生
- 27 大陸學生來臺就學，相關政策規範有所演變，下列有關現行政策的敘述何者錯誤？  
(A)臺灣開放承認中國大陸地區所有專科學校學歷  
(B)陸生禁止校外打工，但是可以從事與課程、論文研究相關的研究教學助理工作  
(C)目前在臺就學的大陸學生可以參加商業性醫療保險  
(D)來臺就學的大陸學生不得報考公職及專技考試
- 28 有關中國大陸配偶之父母以及未成年親生子女來臺探親之規定，下列敘述何者正確？  
(A)大陸配偶之中國大陸親生子女，年齡在16歲以下，或曾在16歲以前申請進入臺灣者，來臺探親之停留期間為每次3個月，得申請延期  
(B)大陸配偶經許可在臺灣依親、長期居留者，其父母得申請進入臺灣探親，停留期間為每次3個月，得申請延期  
(C)大陸配偶前婚生子女為其目前的臺灣配偶所收養，年齡在14歲以下者可申請定居  
(D)大陸配偶轉換身為臺灣人民，其20歲以下之親生子女，可以申請在臺長期居留
- 29 2020年是兩岸經濟合作架構協議（ECFA）生效後第十年，當時主要想要推動的協議範圍沒有包括下列何者？  
(A)投資協議 (B)服務貿易 (C)貨品貿易 (D)金融互惠
- 30 香港反送中抗爭情勢升級，我方政府近日實施若干新政策，主要包括下列何項？  
(A)修改香港澳門關係條例第18條以因應新情勢  
(B)推出香港人道援助關懷行動專案協助香港人民  
(C)提供香港人民政治庇護  
(D)停止適用港澳條例，取消對港特殊待遇
- 31 The government is considering the creation of a dedicated immigration law to \_\_\_\_\_ manpower shortage in the country.  
(A) tickle (B) tackle (C) trickle (D) twinkle
- 32 Until they obtain citizenship through \_\_\_\_\_, immigrants may be denied full rights of citizenship precisely because they are not citizens.  
(A) alienation (B) internalization (C) internationalization (D) naturalization
- 33 New immigrants not only need to adjust to a new culture, they also, often, must \_\_\_\_\_ with traumatic experiences from their past.  
(A) come to terms (B) come in handy (C) catch up (D) team up
- 34 The fact that Taiwan has a lower \_\_\_\_\_ of investment for immigration, compared to other developed countries, makes the island country more appealing.  
(A) reputation (B) threshold (C) benefit (D) respect
- 35 An immigration officer needs advanced knowledge of the immigration laws and procedures to uncover potential complex fraud schemes that \_\_\_\_\_ the integrity of the legal immigration system.  
(A) expose (B) reinforce (C) defend (D) threaten



- 36 The Kenyan government spends about US\$5 million in 2018 to \_\_\_\_\_ foreigners working in the country illegally, a significant increase compared to the US\$3.6 million spent in the previous year.  
(A) deport (B) consent (C) compensate (D) immigrate
- 37 New luggage \_\_\_\_\_ methods can identify liquid explosives and help track down the dangerous substances in the airport.  
(A) acquisition (B) calculation (C) inspection (D) stagnation
- 38 Some tourists intend to \_\_\_\_\_ from one attraction to the next in order to make the most of the trip.  
(A) drain (B) halt (C) recess (D) whisk
- 39 With the recent increase in number of lone wolf terrorist attacks, governments around the world have been on high alert for social media outlets that may potentially radicalize \_\_\_\_\_.  
(A) individuals (B) animals (C) peoples (D) humanitarians
- 40 The task is \_\_\_\_\_, but he has risen to the challenge with intelligence, creativity, flexibility and commitments to excellence.  
(A) daunting (B) amusing (C) delighting (D) encouraging

請回答下列第41題至第45題

Capital controls may be imposed on capital leaving a country or entering it. The former include controls over 41 transactions for direct and equity investments by residents and/or foreigners. For example, restrictions on the repatriation of capital by foreigners can include 42 a period before such repatriation is allowed, and regulations that phase the repatriation according to the availability of foreign exchange. Residents may be restricted 43 their holdings of foreign stocks, either directly or through limits on the permissible portfolios of the country's investment funds. Law can also restrict bank deposits abroad by residents. Alternatively, bank accounts and transactions 44 in foreign currencies can be made available to residents, and non-interest-bearing capital reserve requirements can be imposed on deposits in foreign currencies, 45 reducing or eliminating the interest paid on them and therefore diminishing their attractiveness. The main purpose of controls over capital out flows is to thwart attempts to shift between currencies during financial crises, which can exacerbate currency depreciation.

- 41 (A) ultimate (B) upmost (C) outward (D) inbound
- 42 (A) sacrificing (B) fortifying (C) specifying (D) foreseeing
- 43 (A) in respect of (B) in addition to (C) by way of (D) in spite of
- 44 (A) distributed (B) denominated (C) denounced (D) discriminated
- 45 (A) albeit (B) after (C) unless (D) thus

請回答下列第46題至第50題

Two years ago, a group of elders in a village in north-western Uganda agreed to lend their land to refugees from South Sudan. About 120,000 are now in the surrounding area. Here they live in tarpaulin shelters and mud-brick huts on a patch of scrub where cows once grazed. Kemis Butele, a gravel-voiced Ugandan elder, explains that hosting refugees is a way for a remote place, long neglected by the central government, to get noticed. He hopes for new schools, clinics and a decent road – and “that our children can get jobs.”

There are more than 20 million refugees in the world today, more than at any time since the end of the second world war. Nearly 90% reside in poor countries. In many, to preserve jobs for natives, governments bar refugees from working in the formal economy. Uganda has shown how a different approach can reap dividends. The government gives refugees land plots and lets them work. In some places, the refugees boost local businesses and act as a magnet for foreign aid. Mr. Butele and many other Ugandans see their new neighbors as a benefit, not a burden. Sadly, such attitudes are still the exception.

Refugees are “brothers and sisters,” say many Ugandans. Mr. Butele was once one himself. But the welcome is also a pragmatic one. Northern Uganda is so poor that some locals pose as refugees to receive food aid. Others see refugees as buyers for local goods. Elsewhere in Uganda has indeed seen such positive **spillover**. One study from 2016 found that the presence of Congolese refugees in western Uganda had increased consumption per household. Another estimates that each new refugee household boosts total income, including that of refugees, by \$320-430 more than the cost of the aid the household is given. That rises to \$560-670 when refugees are given cash instead of rations.

- 46 What is the main idea of this passage?
- (A) Allowing refugees to work can bring benefits.
  - (B) Barring refugees from working boosts economy.
  - (C) The Ugandan approach to refugees proves problematic.
  - (D) Ugandans host refugees to receive foreign aid.
- 47 Why do many governments bar refugees from working in the formal economy?
- (A) Refugees would rather take odd jobs in a bar than formal jobs.
  - (B) The governments intend to preserve jobs for the local natives.
  - (C) The research shows that immigrants rarely take native workers' jobs.
  - (D) The research shows that refugees have increased consumption per household.
- 48 Which of the following words is closest in meaning to “spillover”?
- (A) Dividend.
  - (B) Magnet.
  - (C) Presence.
  - (D) Excess.
- 49 What is the implication of the statement, “such attitudes are still the exception”?
- (A) The majority of refugees prefer to reside in rich countries.
  - (B) The majority of governments give refugees land plots.
  - (C) The majority of people consider refugees to be a burden.
  - (D) The majority of local businesses see refugees as a benefit.
- 50 Which of the following statements is true?
- (A) Ugandans welcomed refugees because the central government promised new schools, clinics and a decent road.
  - (B) Most refugees stayed in poor countries in order to boost local businesses and act as a magnet for foreign aid.
  - (C) A study found that the presence of refugees in Uganda had decreased consumption per household.
  - (D) Each new refugee household boosted total income more than the cost of the aid the household was given.

# 測驗式試題標準答案

考試名稱：109年公務人員特種考試司法人員、法務部調查局調查人員、國家安全局國家安全情報人員、海岸巡防人員及移民行政人員考試

類科名稱：調查工作組(選試俄文)、電子科學組、調查工作組(選試法文)、資訊科學組、調查工作組(選試日文)、營繕工程組、調查工作組(選試阿拉伯文)、法律實務組、調查工作組(選試德文)、調查工作組(選試韓文)、財經實務組、調查工作組(選試西班牙文)、醫學鑑識組、調查工作組(選試英文)、化學鑑識組、資訊組(選試英文)、政經組(選試英文)、情報組(選試英文)

科目名稱：綜合法政知識與英文(包括中華民國憲法、法學緒論、兩岸關係、英文)(試題代號：3401)

單選題數：50題

單選每題配分：2.00分

複選題數：

複選每題配分：

標準答案：

更多國安考試科目的歷屆題庫  
立即上網搜尋“國安考試歷屆考古題”  
高鋒公職補習班整理  
Line@帳號：@gaofeng  
連絡電話：07-236-7296

題號	第1題	第2題	第3題	第4題	第5題	第6題	第7題	第8題	第9題	第10題
答案	D	B	C	D	C	C	D	A	B	A

題號	第11題	第12題	第13題	第14題	第15題	第16題	第17題	第18題	第19題	第20題
答案	C	A	B	A	C	D	D	D	B	C

題號	第21題	第22題	第23題	第24題	第25題	第26題	第27題	第28題	第29題	第30題
答案	C	C	A	B	D	C	A	D	D	B

題號	第31題	第32題	第33題	第34題	第35題	第36題	第37題	第38題	第39題	第40題
答案	B	D	A	B	D	A	C	D	A	A

題號	第41題	第42題	第43題	第44題	第45題	第46題	第47題	第48題	第49題	第50題
答案	C	C	A	B	D	A	B	D	C	D

題號	第51題	第52題	第53題	第54題	第55題	第56題	第57題	第58題	第59題	第60題
答案										

題號	第61題	第62題	第63題	第64題	第65題	第66題	第67題	第68題	第69題	第70題
答案										

題號	第71題	第72題	第73題	第74題	第75題	第76題	第77題	第78題	第79題	第80題
答案										

題號	第81題	第82題	第83題	第84題	第85題	第86題	第87題	第88題	第89題	第90題
答案										

題號	第91題	第92題	第93題	第94題	第95題	第96題	第97題	第98題	第99題	第100題
答案										

備註：

代號：60360  
頁次：1-1

# 109年公務人員特種考試司法人員、法務部 調查局調查人員、國家安全局國家安全情報 人員、海岸巡防人員及移民行政人員考試試題

考試別：國家安全情報人員  
等別：三等考試  
類科組：資訊組  
科目：網路應用與安全  
考試時間：2小時

更多國安考試科目的歷屆題庫  
立即上網搜尋“國安考試歷屆考古題”  
高鋒公職補習班整理  
Line@帳號：@gaofeng  
連絡電話：07-236-7296

座號：\_\_\_\_\_

※注意：(一)禁止使用電子計算器。

(二)不必抄題，作答時請將試題題號及答案依照順序寫在試卷上，於本試題上作答者，不予計分。

(三)本科目除專門名詞或數理公式外，應使用本國文字作答。

- 一、日前(2020/07/23)有媒體報導某上市公司疑遭勒索軟體攻擊，產線預計將停擺兩天，手機 App 更新無法同步。請說明何謂勒索軟體攻擊，並論述滲透的手法。(20分)
- 二、2018年8月某上市公司產線中毒大當機，引起工控資安議題。試從系統安全角度說明何以一般 IT (Information Technology) 資安產品無法處理工控 (Operational Technology, OT) 資安的原因。(20分)
- 三、一般資安工作經常會做源碼檢測、弱點掃描、滲透測試，請說明三者之間的差異及導入的時機。(20分)
- 四、為落實推動國家關鍵資訊基礎設施防護 (Critical Information Infrastructure Protection, CIIP)，行政院特制定關鍵基礎設施領域層級之電腦緊急應變團隊 (Computer Emergency Response Team, CERT)、資安資訊分享與分析中心 (Information Sharing and Analysis Center, ISAC) 及資訊安全監控中心 (Security Operation Center, SOC) 實務建置指引，做為關鍵基礎設施領域層級與關鍵基礎設施提供者，於執行領域 CERT、ISAC 及 SOC 建置與維運之作業參考。請說明 CERT、ISAC 及 SOC 三者之任務與運作關係，並論述如何評估其成效。(20分)
- 五、軟體定義網路 (Software Defined Networking, SDN) 和網路功能虛擬化 (Network Function Virtualization, NFV) 是5G 網路架構的兩大關鍵技術。請說明 SDN 與 NFV 的區別。(20分)

代號:41450  
60350  
頁次:2-1

109年公務人員特種考試司法人員、法務部  
調查局調查人員、國家安全局國家安全情報  
人員、海岸巡防人員及移民行政人員考試試題

考試別：調查人員、國家安全情報人員  
等別：三等考試  
類科組：資訊科學組、資訊組  
科目：資料庫應用  
考試時間：2小時

更多國安考試科目的歷屆題庫  
立即上網搜尋“國安考試歷屆考古題”  
高鋒公職補習班整理  
Line@帳號：@gaofeng  
連絡電話：07-236-7296

座號：\_\_\_\_\_

※注意：(一)禁止使用電子計算器。

(二)不必抄題，作答時請將試題題號及答案依照順序寫在試卷上，於本試題上作答者，不予計分。

(三)本科目除專門名詞或數理公式外，應使用本國文字作答。

一、已知某單位建置專案管理系統的關聯式資料庫關聯表及外鍵的參考定義如下：

Employee(eID, eName, dID) FKs dID ref. Department(dID)

Qualified(eID, sID, qDate) FKs eID ref. Employee(eID), sID ref. Skill(sID)

Skill(sID, sName)

Department(dID, dName)

Project (pID, pOwner) FKs pOwner ref. Employee(eID)

Participation(pID, eID) FKs pID ref. Project(pID), eID ref. Employee(eID)

(一)請使用單一 SQL 查詢指令找出具備技能代號 (sID) 為'001'，但不具備有技能代號'002'技能的所有員工工號 (eID) 與員工姓名 (eName)。  
(15分)

(二)請使用單一 SQL 查詢指令列出部門代碼 (dID) 為'D01'的所有員工的資料，包含其員工工號 (eID) 與姓名 (eName) 及其曾參與專案的總次數，結果並依參與次數的多寡降冪排序。(10分)

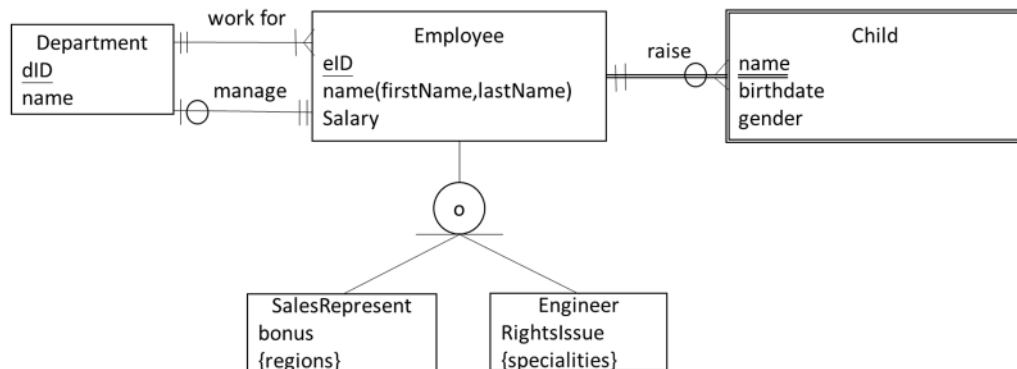
二、(一)在資料庫的交易(Transaction)管理中何謂序列排程(Serial Schedule)? 符合序列排程對資料庫有何影響? 又何謂可循序列排程 (Serializable Schedule)? 兩者關係為何? (10分)

(二)在同步控制中結果等價 (Result Equivalent) 與衝突等價 (Conflict Equivalent) 意義上有何差異? 並請說明下列二個排程是否具備衝突等價及說明原因，其中 T1與 T2代表不同的兩個交易，read()代表讀取資料，write()代表寫入資料，→代表事件執行先後順序。(15分)

Schedule A: T1:read(x) → T1:read(y) → T2:read(x) → T1:write(x) →  
T1:write(y) → T2:write(x) → T1:commit → T2:read(y) →  
T2:write(y) → T2:commit

Schedule B: T1:read(x) → T1:read(y) → T1:write(x) → T2:read(x) →  
T1:write(y) → T2:read(y) → T1:commit → T2:write(x) →  
T2:write(y) → T2:commit

三、請依據下圖所繪製之延伸型實體關係模型 (Extended Entity-Relationship model, EER model) 回答相關問題。



- (一) 實體 Employee 為超類型 (Superclass) 實體，我們要在該實體中加入一個屬性作為子類型 (Subclass) 識別子，其值會決定所屬的子類型。請設計一個恰當的子類型識別子並說明子類型識別子的資料類型為何？(10分)
- (二) 請將以上 EER 圖包含自行加入的子類型識別子屬性轉成關聯表，所有關聯表應標示主鍵與外鍵及其關聯，並確保所有關聯表均符合第三正規化形式。(15分)

四、NoSQL 一般用來代表分散式非關聯式資料庫的統稱，其為現代半結構和非結構式資料的理想資料庫。已知關聯式資料庫採用的交易 (Transaction) 設計，讓資料存取或異動過程中不會受到干擾，為確保交易是正確可靠的，所以 SQL 執行必須具備(1)確保交易作為最小運作單位 (Atomicity)、(2)異動過程確保整體資料庫的一致性 (Consistency)、(3)執行多筆交易時能隔離交易中的資料不受其他交易影響 (Isolation)，以及(4)交易過程不會變動原始資料的持久性 (Durability)。請問 NoSQL 是否適用相同的設計特性？其在資料庫完整性的概念為何？(25分)



# 109年公務人員特種考試司法人員、法務部 調查局調查人員、國家安全局國家安全情報 人員、海岸巡防人員及移民行政人員考試試題

考試別：調查人員、國家安全情報人員

等別：三等考試

類科組：電子科學組、資訊組

科目：計算機概論

考試時間：2小時

更多國安考試科目的歷屆題庫  
立即上網搜尋“國安考試歷屆考古題”  
高鋒公職補習班整理  
Line@帳號：@gaofeng  
連絡電話：07-236-7296

座號：\_\_\_\_\_

※注意：(一)禁止使用電子計算器。

(二)不必抄題，作答時請將試題題號及答案依照順序寫在試卷上，於本試題上作答者，不予計分。

(三)本科目得以本國文字或英文作答。

## 一、本題有關二元樹與算術運算式。

(一)某一個算術運算式 (arithmetic expression) 利用二元樹 (binary tree) 做後序拜訪 (postorder traversal)，轉換成後序式 (postfix) 為：A B C / D - E \* + F G / -，其中 A、B、C、D、E、F、G 代表運算元 (operand)，+ (加)、- (減)、\* (乘)、/ (除) 代表運算子 (operator)。如果該算術運算式帶入 A=5, B=6, C=2, D=3, E=2, F=9, G=3，則計算結果的值是多少？(15分)

(二)已知某二元樹有3個節點，且該二元樹經後序拜訪的輸出結果依序是 C、B、A。請列出所有滿足上述條件的二元樹。(10分)

## 二、請回答下列問題：

(一)下列 Figure-1 的 C 程式的功用是什麼？如果執行該程式，且輸入兩個整數依序是2及8，則輸出的結果是什麼？(15分)

(二)如果執行 Figure-2 的 C 程式，則輸出的結果是什麼？(10分)

01	#include <stdio.h>	14	
02	#include <stdlib.h>	15	int f(int p, int q)
03		16	{
04	int f(int p, int q);	17	if(q != 0) return
05	int main()	18	p*f(p, q-1);
06	{	19	else
07	int a, n, c;	20	return 1;
08	scanf("%d,%d", &a, &n);	21	}
09	c = f(a, n);	22	
10	printf("c = %d", c);	23	
11	system("pause");	24	
12	return 0;	25	
13	}	26	

Figure-1

01	#include <stdio.h>
02	#include <stdlib.h>
03	int main(void)
04	{
05	char e = 0x3c;
06	char f = 0x03;
07	char r;
08	r = ~e;
09	printf("%d\n", r & 0xff);
10	printf("%d\n", (f << 2));
11	system("PAUSE");
12	return 0;
13	}

Figure-2

三、有關記憶體管理及數字系統轉換，請回答下列問題：

- (一)有某多程式 (multiprogramming) 作業系統採用分頁 (paging) 記憶體管理，可用記憶體60 MB，分割成15個分頁。今有2個程式要執行，程式 A 需要21 MB，程式 B 需要27 MB。試問程式 A、程式 B 各需要幾個分頁？總共有多少個分頁未被使用？(15分)
- (二)將十進位數字39.625轉換為二進位，並寫出轉換過程。(10分)

四、請回答下列問題：

- (一)說明何謂間諜軟體 (spyware) 與釣魚軟體 (phishing)。並說明電腦要如何防衛釣魚軟體？(15分)
- (二)某甲在上班的途中使用手機傳送一張800 KB 的照片檔案給同事，他花了20秒的時間。試問他的手機網路的傳輸速率是多少 Kbps？(10分)

代號：10110-11610  
40110-41510  
60110-60410  
70110-70210  
90110-91110  
頁次：3-1

# 108年公務人員特種考試司法人員、法務部 調查局調查人員、國家安全局國家安全情報 人員、海岸巡防人員及移民行政人員考試試題

考試別：司法人員、調查人員、國家安全情報人員、海岸巡防人員、移民行政人員  
等別：三等考試  
類科組：各類科組  
科目：國文（作文、公文與測驗）  
考試時間：2小時

※注意：禁止使用電子計算器。

更多國安考試科目的歷屆題庫  
立即上網搜尋“國安考試歷屆考古題”  
高鋒公職補習班整理  
Line@帳號：@gaofeng  
連絡電話：07-236-7296

座號：\_\_\_\_\_

## 甲、作文與公文部分：

- (一)請以藍、黑色鋼筆或原子筆在申論試卷上由左至右橫式作答，於本試題上作答者，不予計分。  
(二)不得於試卷上書寫姓名或入場證號。

### 一、作文：（60分）

以往企業都以「負責」作為用人的重要考量，自1990年代之後，「當責」（Accountability）成了全球最熱門的企業管理概念。「負責」是指個人做好份內的工作，「當責」則是個人不只做完份內的事，也會為了組織或團隊有更好的成果、更好的績效，主動多做一點，願意將原本不屬於自己責任範圍的工作額外多做，以謀求企業組織最佳的成效。如果組織內成員的態度，都能從負責轉為當責，那麼企業主的管理，就會由原本消極的「事後追究責任」，提升到積極正面的「事先承擔責任」，一個當責的企業組織，當然能讓客戶得到最滿意的服務。請以「從負責到當責」為題，撰文一篇，加以申論。

### 二、公文：（20分）

任何社會多少都會存在「社會邊緣人」或「反社會型人格」，這些人多因種種不幸因素，如常被霸凌、長年缺乏友伴、家人經常吵架、經濟狀況惡劣、常與損友為伍等等，以致長大之後游走社會邊緣，甚至形成危險的反社會型人格。其預防之道，還是要從教育著手。試擬教育部函各大學及直轄市、各縣市教育局，請各級學校輔導室及所有教師，發現學生有下列異常表現者，須給予特別關照，並以耐心輔導。

1. 過度依賴別人。
2. 強烈害怕被排斥。
3. 責任感超乎尋常，形成重壓。
4. 過於自戀，唯我獨尊。
5. 冷酷而常以壓榨他人為樂。
6. 在孤獨時痛苦，卻又逃避人群。
7. 妄想多發，連親近的人也不相信。
8. 常在恐懼焦慮之中，厭惡自己。

乙、測驗部分：（20分）

代號：1101

(一)本測驗試題為單一選擇題，請選出一個正確或最適當的答案，複選作答者，該題不予計分。

(二)共10題，每題2分，須用2B鉛筆在試卡上依題號清楚劃記，於本試題或申論試卷上作答者，不予計分。

- 1 下列文句「」內的詞語，前後兩句意義最相近的是：
- (A)今當遠離，臨表涕泣，「不知所云」／這篇文章完全「不知所云」  
(B)風霜高潔，「水落而石出」者，山間之四時也／事情真相終於「水落石出」  
(C)太倉之粟，「陳陳相因」，充溢露積於外／這篇報告「陳陳相因」，毫無創意  
(D)「怒髮衝冠」，憑欄處，瀟瀟雨歇／他氣得青筋暴露、「怒髮衝冠」，大家都嚇壞了
- 2 昔齊桓好衣紫，闔境不鬻異采；楚莊愛細腰，一國皆有饑色。……故俗苟沴，必為法以矯之；物苟溢，必立制以檢之。累於俗，飾於物者，不可與為治矣。（《尹文子》）  
下列選項，何者最符合上文意旨？
- (A)古者君之使臣，求不私愛於己  
(B)上之所以率下，乃治亂之所由也  
(C)同己則喜，異己則怒，此人之大情  
(D)祿賞之所勸，名法之所齊，不出於己心，不利於己身
- 3 書生以囊螢聞於里。里人高其義，晨詣之；謝他往。里人曰：「何有囊螢讀，而晨他往者？」謝者曰：「無他，以捕螢往，晡且歸矣。」（張大復〈囊螢〉）  
根據本文，下列選項何者為書生「囊螢」最適切的形容？
- (A)好大喜功 (B)自作聰明 (C)刻苦自勵 (D)欺世盜名
- 4 陶淵明〈讀史述九章〉：「遠哉長公，蕭然何事？世路多端，皆為我異。斂轡竭來，獨養其志。寢跡窮年，誰知斯意？」  
下列選項，何者最符合作者對張長公的讚賞？
- (A)與世不偶，獨善其身 (B)世無知音，守窮待時  
(C)世道混濁，仍思彌縫 (D)眾人皆醉，唯我獨醒
- 5 王陽明說：「六經者，吾心之記籍也，而六經之實，則具於吾心。」此說涉及對於經典之詮釋法，下列敘述最符合上文意旨的是：
- (A)批判性閱讀，提出疑問，回歸本心，以求印證  
(B)盡信書，不如無書，需要大膽假設，小心求證  
(C)有一分證據說一分話，以科學態度去辨明真理  
(D)海納百川，廣收眾人意見，進而作出正確判斷

- 6 管仲束縛，自魯之齊，道而飢渴，過綺烏封人而乞食。烏封人跪而食之，甚敬。封人因竊謂仲曰：「適幸，及齊不死而用齊，將何報我？」曰：「如子之言，我且賢之用，能之使，勞之論。我何以報子？」（《韓非子·外儲說左下》）
- (A)管仲的行為是感恩圖報 (B)管仲的行為是恩怨分明  
(C)封人的行為是施恩望報 (D)封人的行為是以義割恩
- 7 晉、鄭之間有蹇人焉，射不中則碎其鵠，弈不勝則齧其子。人曰：「是非鵠與子之罪也，盍亦反而思之乎？」弗喻。卒病蹇而死。郁離子曰：「是亦可以為鑒矣。夫民猶鵠也，射之者我也，射得其道則中矣；兵猶子也，行之者我也，行得其道則勝矣。致之無藝，用之無法，至於不若人而不勝其憤，患非所當患，烏得而不死？」（劉基《郁離子》）
- 郁離子對於「蹇人」不得善終的看法，下列最恰當的選項是：
- (A)己所不欲，勿施於人 (B)天作孽猶可違，自作孽不可逭  
(C)喜則天下和之，怒則暴亂者畏之 (D)勿以善小而不為，勿以惡小而為之
- 8 「鑿開混沌得烏金，藏蓄陽和意最深。爍火燃回春浩浩，洪爐照破夜沉沉。鼎彝元賴生成力，鐵石猶存死後心。但願蒼生俱飽暖，不辭辛苦出山林。」
- 下列選項對於本詩之解讀，何者錯誤？
- (A)此詩所詠之物，應為埋於地下的煤炭  
(B)全詩藉物為喻，充滿積極奉獻之熱情  
(C)「鼎彝」、「鐵石」均可視為作者自喻  
(D)「爍火」、「洪爐」意象強調捨身奉獻
- 9 「我們的人生只在某節車廂繁衍。座位雖有軟硬之分，窗台有高低之別，驛程風景一樣。走了一個皇帝，那座椅馬上被另一個皇帝登基，下了個引車賣漿，來了副剃頭擔子。座位不動，塗塗改改是姓名。每人手上有一張車票，註明起站與終站，起站名稱人人識得，終程空欄只蓋了個印『靜候通知』——列車本無始終，有始有終是乘客。」
- 下列選項，何者最接近上文所表達的人生省思？
- (A)生年不滿百，常懷千歲憂 (B)人生不相見，動如參與商  
(C)舊時王謝堂前燕，飛入尋常百姓家 (D)年年歲歲花相似，歲歲年年人不同
- 10 「我們常把一句北歐諺語當作口號：『刺骨的北風造就了北歐海盜。』我們怎麼會有這種想法，認為舒適安全的生活、輕鬆安逸沒有困難的日子會讓人更快樂幸福？剛好相反，愛自憐的人舒舒服服地躺在沙發上也能自憐。由歷史看來，在任何狀況下都有人覺得幸福。不論順逆，只要對自己負責，他就能覺得快樂。一點都不錯，北極風確實造就了強悍的北歐海盜。」
- 上文旨趣，與下列選項何者最為相近？
- (A)近朱者赤，近墨者黑；聲和則響清，形正則影直  
(B)鮒魚多刺，海棠無香；甘瓜抱苦蒂，美棗生荊棘  
(C)物不經冰霜，則生意不固；人不經憂患，則德慧不成  
(D)順風旗好打，上水船難撐；歲寒知松柏，板蕩識忠臣

# 測驗式試題標準答案

考試名稱：108年公務人員特種考試司法人員、法務部調查局調查人員、國家安全局國家安全情報人員、海岸巡防人員及移民行政人員考試

類科名稱：司法事務官財經事務組、心理測驗員、檢察事務官電子資訊組、觀護人(選試少年事件處理法)、司法事務官營繕工程事務組、公職法醫師、檢察事務官財經實務組、監獄官(男)、司法事務官法律事務組、心理輔導員、法院書記官、檢察事務官偵查實務組、行政執行官、繼續人員、檢察事務官營繕工程組、監獄官(女)、調查工作組(選試西班牙文)、資訊科學組、財經實務組、調查工作組(選試英文)、調查工作組(選試俄文)、調查工作組(選試日文)、調查工作組(選試法文)、化學繼續組、電子科學組、調查工作組(選試韓文)、法律實務組、調查工作組(選試德文)、營繕工程組、醫學繼續組、調查工作組(選試阿拉伯文)、國際組(選試西班牙文)、資訊組(選試英文)、電子組(選試英文)、情報組(選試英文)、海巡行政、海洋巡邏科輪機組、移民行政(選試越南文)、移民行政(選試英文)、移民行政(選試日文)、移民行政(選試泰文)、移民行政(選試印尼文)、移民行政(選試德文)、移民行政(選試法文)、移民行政(選試俄文)、移民行政(選試西班牙文)、移民行政(選試韓文)、移民行政(選試葡萄牙文)

科目名稱：國文(作文、公文與測驗)(試題代號：1101)

更多國安考試科目的歷屆題庫  
 立即上網搜尋“國安考試歷屆考古題”  
 高鋒公職補習班整理  
 Line@帳號：@gaofeng  
 連絡電話：07-236-7296

單選題數：10題

單選每題配分：2.00分

複選題數：

複選每題配分：

標準答案：

題號	第1題	第2題	第3題	第4題	第5題	第6題	第7題	第8題	第9題	第10題
答案	D	B	D	A	A	C	B	C	D	C

題號	第11題	第12題	第13題	第14題	第15題	第16題	第17題	第18題	第19題	第20題
答案										

題號	第21題	第22題	第23題	第24題	第25題	第26題	第27題	第28題	第29題	第30題
答案										

題號	第31題	第32題	第33題	第34題	第35題	第36題	第37題	第38題	第39題	第40題
答案										

題號	第41題	第42題	第43題	第44題	第45題	第46題	第47題	第48題	第49題	第50題
答案										

題號	第51題	第52題	第53題	第54題	第55題	第56題	第57題	第58題	第59題	第60題
答案										

題號	第61題	第62題	第63題	第64題	第65題	第66題	第67題	第68題	第69題	第70題
答案										

題號	第71題	第72題	第73題	第74題	第75題	第76題	第77題	第78題	第79題	第80題
答案										

題號	第81題	第82題	第83題	第84題	第85題	第86題	第87題	第88題	第89題	第90題
答案										

題號	第91題	第92題	第93題	第94題	第95題	第96題	第97題	第98題	第99題	第100題
答案										

備註：



108年公務人員特種考試司法人員、法務部  
調查局調查人員、國家安全局國家安全情報  
人員、海岸巡防人員及移民行政人員考試試題

代號：40140、60140  
60340、60440  
頁次：7-1

考試別：調查人員、國家安全情報人員

等別：三等考試

類科組：調查工作組（選試英文）、各組別（選試英文）

科目：外國文（英文）

考試時間：2小時

※注意：禁止使用電子計算器。

甲、申論題部分：(50分)

- (一)不必抄題，作答時請將試題題號及答案依照順序寫在申論試卷上，於本試題上作答者，不予計分。  
(二)請以藍、黑色鋼筆或原子筆在申論試卷上作答。

更多國安考試科目的歷屆題庫  
立即上網搜尋“國安考試歷屆考古題”  
高鋒公職補習班整理  
Line@帳號：@gaofeng  
連絡電話：07-236-7296

座號：\_\_\_\_\_

一、英譯中（15分）

History has shown that languages attached to power, wealth, and prestige have spread at the expense of those viewed less favorably. Therefore, as the power attached to Mandarin Chinese or Hindi grows, so too will the use of these languages in the global arena. While we do not deny a future shift in world power, it is unlikely that these languages will replace English immediately since the trade-off between languages is not a zero-sum game.

二、中譯英（15分）

根據美國法律，如果一個人被告犯罪，那在他被證明有罪之前，法庭必須先假定他是清白的。換句話說，法庭有責任舉證說明一個人有罪，被告沒有責任去證明自己是無辜的。

三、英文作文（20分）

American courts depend on the ability of the jurors, not the judges, to determine the accuracy of the eyewitness's testimony. Do you think this jury system will work in Taiwan? State your reasons to agree or disagree with this system.

乙、測驗題部分：(50分)

代號：4401

- (一)本測驗試題為單一選擇題，請選出一個正確或最適當的答案，複選作答者，該題不予計分。  
(二)共40題，每題1.25分，須用2B鉛筆在試卡上依題號清楚劃記，於本試題或申論試卷上作答者，不予計分。

- 1 The scandals are creating political headaches for the new mayor, who has seen his support rate \_\_\_\_\_.  
(A) coincide (B) plummet (C) speculate (D) intervene

- 2 With this simple \_\_\_\_\_ digital luggage scale, travelers can know their luggage weight before checking in.  
(A) broken (B) portable (C) contagious (D) disciplined
- 3 We hung the pots and pans and other kitchen \_\_\_\_\_ on hooks by the stove.  
(A) riddles (B) utensils (C) cabinets (D) aspects
- 4 John's parents were traders, buying and selling corn and other \_\_\_\_\_ products.  
(A) industrious (B) distressing (C) agricultural (D) spectacular
- 5 Ms. Jane Smith is \_\_\_\_\_ with classical lore. She has published six books about Greek and Roman mythology.  
(A) saturated (B) intimidated (C) designated (D) aggravated
- 6 Tommy's mother had to stay up late because he got very sick. His \_\_\_\_\_ fever particularly concerned her all night long because his high fever would come and go frequently.  
(A) redundant (B) radiant (C) competent (D) intermittent
- 7 Both the manager and the head coach of the basketball team were furious and embarrassed that their team played so \_\_\_\_\_ that it was defeated by its opponent's team with a 30-point loss.  
(A) abysmally (B) evasively (C) impudently (D) observantly
- 8 If you have books you do not want or need anymore, you may \_\_\_\_\_ them to the public library.  
(A) compensate (B) donate (C) rotate (D) speculate
- 9 After the boys disclosed their traumatic experience in the boarding school, that teacher was under \_\_\_\_\_ for sexual harassment.  
(A) reconciliation (B) circumference (C) amendment (D) indictment
- 10 Immigrants have a tendency to specialize in manual-intensive jobs because they are less \_\_\_\_\_ in the local language.  
(A) deficient (B) omniscient (C) transcient (D) proficient

請依下文回答第 11 題至第 15 題：

Child custody disputes present problems from a variety of perspectives. Although most disputes are 11 out of court, high divorce rates and conflicts between unmarried parents make custody contests one of the most frequent sources of 12 in the United States. Thus, custody disputes are expensive from the perspective of public interest. The current standard of 13 custody according to children's "best interests" is a vague principle which, from the perspective of judges, makes custody disputes almost impossible to decide. Fears about losing your children, legal expenses, public embarrassment, and the 14 of a court battle are some of the many problems with custody disputes from the perspective of parents. Finally, from the perspective of children, a custody dispute 15 perhaps the worst thing about divorce: Getting caught, or put, in the middle of a war between your parents.

- 11 (A) settled (B) safeguarded (C) saturated (D) seduced  
12 (A) infection (B) inspiration (C) legalization (D) litigation  
13 (A) determining (B) disposing (C) defying (D) disembarking  
14 (A) deletion (B) defensiveness (C) divisiveness (D) diagnosis  
15 (A) epitomizes (B) resolves (C) affects (D) elevates

請依下文回答第 16 題至第 20 題：

In an article entitled “The Lure of Technologies Past,” Nick Bilton says: “What I’ve come to realize is that while the new thing gets people excited, the old thing often doesn’t go away. And if it does, it takes a very long time to meet its demise.” Indeed, the old thing dies hard. Just take a look at film cameras. One would think they have been 16 by the digital camera, but millions of people still use them. And while Polaroid, the instant film camera, has filed for bankruptcy, the company is making a 17. One of Polaroid’s largest growing 18, surprisingly, is teenagers who want tangible photos but do not want to wait.

Other cases in point are vinyl records, print books and newspapers. According to the Recording Industry Association of America, 13 million vinyl records were sold in 2014, the highest count in 25 years. About 55 million newspapers still land on doorsteps every morning. And More than 571 million print books were sold in the United States in 2014.

So why does old technology 19 and, in some cases, undergo a revival? For some consumers, it’s about 20 (e.g., film cameras and record players), while for others, it’s about familiarity (e.g., newspapers and print books).

- |    |                  |                |                   |                 |
|----|------------------|----------------|-------------------|-----------------|
| 16 | (A) disappeared  | (B) vanquished | (C) overheard     | (D) reduced     |
| 17 | (A) resurgence   | (B) reduction  | (C) rendition     | (D) repartee    |
| 18 | (A) demographics | (B) statistics | (C) opportunities | (D) densities   |
| 19 | (A) exit         | (B) survive    | (C) remove        | (D) deteriorate |
| 20 | (A) daydreaming  | (B) anxiety    | (C) novelty       | (D) nostalgia   |

請依下文回答第 21 題至第 25 題：

During a transabdominal ultrasound, a conductive gel is placed on the abdomen, and a hand-held wand which 21 sound waves is moved in a systematic pattern in an effort to examine the internal structures. This test requires a 22 bladder so that the organs in question are lifted out of the pelvis as the bladder fills. The patient may be asked to drink two to three glasses of water starting an hour 23 the test. This method works best for more advanced pregnancies when the fetus is well developed. The physician may have a vaginal scan performed during the first trimester to make sure the pregnancy is within the uterus and to rule out an ectopic pregnancy. It is also possible to visualize the fetal heartbeat and movement, and, thus, rule out a miscarriage. The vaginal scan can also determine if there is more than one pregnancy within the uterus. During the remainder of the pregnancy, scans may be used to look for problems, 24 the age and development of the fetus, check out its position within the uterus, and, between 16 and 20 weeks, determine the fetal sex. There is no risk to the woman or her developing fetus with ultrasound, and it is not uncomfortable. Ultrasound examinations aid doctors in establishing an accurate 25 date. The estimated date of delivery can now be predicted within two to four days if the initial ultrasound is performed early in pregnancy.

- |    |                 |                 |                 |                  |
|----|-----------------|-----------------|-----------------|------------------|
| 21 | (A) emits       | (B) dismisses   | (C) neutralizes | (D) eliminates   |
| 22 | (A) small       | (B) large       | (C) empty       | (D) full         |
| 23 | (A) inferior to | (B) superior to | (C) prior to    | (D) posterior to |
| 24 | (A) assess      | (B) accede      | (C) access      | (D) address      |
| 25 | (A) due         | (B) blind       | (C) appointed   | (D) expiration   |

請依下文回答第 26 題至第 30 題：

Extending health coverage to illegal immigrants is sound policy. The inclusion of the illegal-immigrant population may lower costs in numerous ways, including lower insurance premiums, lower emergency medical expenditures, and a switch from expensive late-stage treatments to cost-effective preventative and ambulatory care. Coverage will obviously benefit illegal immigrants, but the entire US population will also reap the rewards of a broader risk pool comprising individuals with comparatively low medical expenditures and usage trends. Extending coverage could also have important public health benefits. Ensuring treatment, especially of infectious disease, protects the health of the population as a whole, and this is particularly important considering the ease of travel and access to different parts of the globe. The public health is also served by prompt diagnosis and treatment of chronic diseases, such as heart disease and diabetes.

Allowing illegal immigrants to stay and pretending they're not here doesn't work for anyone. Prohibiting inclusion of illegal immigrants in the formal healthcare system and at the same time extending piecemeal benefits, emergency rooms, and some patchwork of state and local governments is a poor way to address the intractable problem of ever increasing health care costs. The federal government should meet this challenge head-on in the form of health coverage, recognizing the benefits that could accrue to it by instituting necessary health insurance reforms. Even if immigration reform does materialize, nothing will have been lost by providing coverage in the interim. As the illegal immigrant population declines, for instance, because of fewer economic opportunities in the United States or absorption into the lawful immigrant category, the system has enough fluidity to respond. **Further tweaks may be necessary**, but incremental improvement is a characteristic of any public benefits scheme. What is not acceptable is to tacitly ignore the problem while setting up additional barriers to coverage.

- 26 What is the first paragraph mainly about?
- (A) Reasons why the health care costs are rapidly increasing.
  - (B) Potential benefits of providing health insurance coverage to illegal immigrants.
  - (C) Reasons why illegal immigrants should not be included in national health insurance plans.
  - (D) How health care costs may decrease due to inclusion of illegal immigrants in national health insurance plans.
- 27 Which of the following arguments is supported by the author of the passage?
- (A) Given the ease of travel nowadays, including illegal immigrants in health insurance can reduce the spread of infectious diseases.
  - (B) Illegal immigrants should be excluded from the health care system before being sent back to their countries of origin.
  - (C) Excluding illegal immigrants from the health care insurance is an effective way to lower the nation's health care costs.
  - (D) It is necessary to design more rules to keep illegal immigrants from using expensive medical services in the country.

- 28 What does the author mean by “Further tweaks may be necessary” in the second paragraph?
- (A) More research may be needed to understand the issue further.
  - (B) Some policy modifications may be needed in the future.
  - (C) More funds may be needed to implement the policy.
  - (D) Some health care benefits of the public may need to be further reduced.
- 29 What is the author’s opinion about the federal government’s role in health insurance?
- (A) The health insurance should be handled by the private sector.
  - (B) Providing public health care to illegal immigrants is the local government’s business.
  - (C) The federal government should reform the public health insurance to make it accessible to illegal immigrants.
  - (D) The proposed health insurance reform should wait until the immigration reform is completed.
- 30 According to the passage, which of the following statements is NOT true if health insurance is provided to illegal immigrants?
- (A) The health insurance premiums will decrease.
  - (B) More immigrants will have access to preventive medical treatments.
  - (C) There will be more infectious diseases in the country.
  - (D) More immigrants will end up in emergency rooms with critical illness.

請依下文回答第 31 題至第 35 題：

People become vegetarians for many reasons, including health, religious convictions, concerns about animal welfare or the use of antibiotics and hormones in livestock, or a desire to eat in a way that avoids excessive use of environmental resources. Becoming a vegetarian has become more appealing and accessible, thanks to the year-round availability of fresh produce, more vegetarian dining options, and the growing culinary influence of cultures with largely plant-based diets.

Approximately six to eight million adults in the United States eat no meat, fish, or poultry. Several million more have eliminated red meat but still eat chicken or fish. About two million have become vegans, **forgoing** not only animal flesh but also animal-based products such as milk, cheese, eggs, and gelatin.

Traditionally, research into vegetarianism focused mainly on potential nutritional deficiencies, but in recent years, the pendulum has swung the other way, and studies are confirming the health benefits of meat-free eating. Nowadays, plant-based eating is recognized as not only nutritionally sufficient but also as a way to reduce the risk for many chronic illnesses. According to the American Dietetic Association, “appropriately planned vegetarian diets, including total vegetarian or vegan diets, are healthful, nutritionally adequate, and may provide health benefits in the prevention and treatment of certain diseases.”

You can get many of the health benefits of being vegetarian without going all the way. For example, a Mediterranean eating pattern — known to be associated with longer life and reduced risk of several chronic illnesses — features an emphasis on plant foods with a sparing use of meat. Even if you don't want to become a complete vegetarian, you can steer your diet in that direction with a few simple substitutions, such as plant-based sources of protein — beans or tofu, for example — or fish instead of meat a couple of times a week. Only you can decide whether a vegetarian diet is right for you.

- 31 What is the best title of this passage?
- (A) The Environmental Impact of Vegetarianism.
  - (B) The Health Benefits of Plant-based Diets.
  - (C) The Social Challenges of Being Vegans.
  - (D) The Popularity of Meat-free Products.
- 32 According to the passage, which of the following is NOT mentioned as a cause of the rise in vegan eating?
- (A) The steady supply of fruit and vegetables.
  - (B) The influence of cultures with plant-based eating.
  - (C) The protection of animal welfare and resources.
  - (D) The wide availability of dietary supplements.
- 33 Which of the following is closest in meaning to “forgoing” in the second paragraph?
- (A) Abandoning.
  - (B) Transporting.
  - (C) Generating.
  - (D) Escaping.
- 34 What is the purpose of the third paragraph?
- (A) To explain why previous research produced negative results about vegetarianism.
  - (B) To provide scientific evidence supporting the health effects of vegan diets.
  - (C) To reveal the increase in the number of vegans in the American society.
  - (D) To show how plant-based eating can be associated with certain chronic illness.
- 35 What is the main idea of the last paragraph?
- (A) Converting to a Mediterranean diet can reduce the risk of chronic illness.
  - (B) Going vegan has become a way of showing personal freedom.
  - (C) Adopting a partial vegetarian diet can still make people healthy.
  - (D) Foods like tofu and beans provide a good source of protein for vegans.

請依下文回答第 36 題至第 40 題：

One of the biggest ideas to hit the political world in recent years is that politics is increasingly defined by the division between open and closed, rather than left and right. Openness means support for both economic openness (welcoming immigration and free trade) and the cultural sort (embracing ethnic and sexual minorities). Closedness means the opposite.

The most obvious problem with the open-closed theory is that the divide is so slippery. Few people support entirely open societies—it would be unreasonable to allow Ebola victims to cross borders unimpeded. **By the same token**, few people advocate becoming a hermit kingdom like North Korea. Nor are open and closed necessarily opposites. Having a strong border can make people more open, by giving them a sense that they can manage openness. Historically, most of the world's great centers of commerce have been walled cities. **Constantinople**, the crossroads between east and west, boasted not just a formidable wall but an outer and inner harbor.



There is a better explanation of political polarization than the open-closed split. It is the gap between exam-passers and exam-flunkers. Qualifications grant access to a world that is protected from the downside of globalization. You can get a job with a superstar company that has constructed moats and drawbridges to protect itself, or with a middle-class guild that provides job security, or with the state bureaucracy. Failing exams casts you down into an unpredictable world of cut-throat competition.

Exam-passers combine a common ability to manage the downside of globalization with a common outlook that binds them together and legitimizes their disdain for rival tribes. Exam-flunkers, meanwhile, are united by anger at the elitists who claim to be open as long as their jobs are protected. They are increasingly willing to bring the system crashing down. Talking about open v closed is a double error. It obscures the deeper forces dividing the world, and spares winners by playing down the legitimate concerns of losers.

- 36 What is the main purpose of this passage?
- (A) To argue against the open-closed theory and offer a better explanation.
  - (B) To show evidence that open and closed are not necessarily opposites.
  - (C) To criticize the division between left and right that defines politics.
  - (D) To make evident that political polarization is not a new phenomenon.
- 37 Why does the author use the phrase “by the same token” in Paragraph 2?
- (A) To imply that the example given before is to offer an opposite view.
  - (B) To introduce an instance which is true for the same reason that was given previously.
  - (C) To add another case which is more important than what was said and to correct it.
  - (D) To indicate that what is said is partly true in spite of the thing that has happened.
- 38 Why does the gap between exam-passers and exam-flunkers offer a better explanation of political polarization than the open-closed split?
- (A) It allows access to a world that is protected from the disadvantage of globalization.
  - (B) It guarantees jobs with superstar companies that have measures to protect themselves.
  - (C) It reveals the deeper forces dividing the worlds and expresses the concerns of losers.
  - (D) It provides a middle-class organization that offers security and the state bureaucracy.
- 39 Why does the author mention “Constantinople” in Paragraph 2?
- (A) To imply that having a strong border gives people a sense that they can be more open.
  - (B) To make readers doubt the boast the city once made of having a formidable wall.
  - (C) To suggest that the world’s great center of commerce was the crossroads and the harbor.
  - (D) To question whether a walled city necessarily means closedness.
- 40 According to the last two paragraphs, which of the following statements is true about people failing exams?
- (A) United by anger at the elitists, they are eager to change the existing system.
  - (B) They play down the legitimate concerns of losers and spare winners.
  - (C) With a common outlook, they legitimize their disdain for rival tribes.
  - (D) They are willing to be more open as long as their jobs are protected.

# 測驗題標準答案更正

考試名稱：108年公務人員特種考試司法人員、法務部調查局調查人員、國家安全局國家安全情報人員、海岸巡防人員及移民行政人員考試

類科名稱：調查工作組(選試英文)、情報組(選試英文)、資訊組(選試英文)、電子組(選試英文)

科目名稱：外國文(英文)

單選題數：40題

單選每題配分：1.25分

複選題數：

複選每題配分：

更多國安考試科目的歷屆題庫  
立即上網搜尋“國安考試歷屆考古題”  
高鋒公職補習班整理  
Line@帳號：@gaofeng  
連絡電話：07-236-7296

標準答案：答案標註#者，表該題有更正答案，其更正內容詳見備註。

題號	第1題	第2題	第3題	第4題	第5題	第6題	第7題	第8題	第9題	第10題
答案	B	B	B	C	A	D	A	B	D	D

題號	第11題	第12題	第13題	第14題	第15題	第16題	第17題	第18題	第19題	第20題
答案	A	D	A	C	A	B	A	A	B	D

題號	第21題	第22題	第23題	第24題	第25題	第26題	第27題	第28題	第29題	第30題
答案	A	D	C	A	A	B	A	B	C	#

題號	第31題	第32題	第33題	第34題	第35題	第36題	第37題	第38題	第39題	第40題
答案	B	D	A	B	C	A	B	C	D	A

題號	第41題	第42題	第43題	第44題	第45題	第46題	第47題	第48題	第49題	第50題
答案										

題號	第51題	第52題	第53題	第54題	第55題	第56題	第57題	第58題	第59題	第60題
答案										

題號	第61題	第62題	第63題	第64題	第65題	第66題	第67題	第68題	第69題	第70題
答案										

題號	第71題	第72題	第73題	第74題	第75題	第76題	第77題	第78題	第79題	第80題
答案										

題號	第81題	第82題	第83題	第84題	第85題	第86題	第87題	第88題	第89題	第90題
答案										

題號	第91題	第92題	第93題	第94題	第95題	第96題	第97題	第98題	第99題	第100題
答案										

備註：第30題答C或D或CD者均給分。

# 108年公務人員特種考試司法人員、法務部 調查局調查人員、國家安全局國家安全情報 人員、海岸巡防人員及移民行政人員考試試題

代號：3401  
頁次：6-1

考試別：調查人員、國家安全情報人員

等別：三等考試

類科組：各組別

科目：綜合法政知識與英文（包括中華民國憲法、法學緒論、兩岸關係、英文）

考試時間：1小時

座號：\_\_\_\_\_

更多國安考試科目的歷屆題庫  
立即上網搜尋“國安考試歷屆考古題”  
高鋒公職補習班整理  
Line@帳號：@gaofeng  
連絡電話：07-236-7296

※注意：(一)本試題為單一選擇題，請選出一個正確或最適當的答案，複選作答者，該題不予計分。

(二)本科目共50題，每題2分，須用2B鉛筆在試卡上依題號清楚劃記，於本試題上作答者，不予計分。

(三)禁止使用電子計算器。

- 依司法院大法官解釋，有關獨立行政機關之地位及組織，下列敘述何者正確？
  - 獨立行政機關對一般性政策及個案之決定，均不受行政院指揮監督
  - 行政院總辭時，獨立行政機關委員仍應同時辭職
  - 立法院得以立法規定獨立行政機關委員由總統與立法院各任命半數，以確保其獨立性
  - 行政院仍得依公務員懲戒法規定，對於獨立行政機關委員予以停職
- 依司法院大法官解釋意旨，關於司法審判獨立原則之敘述，下列何者錯誤？
  - 法官之身分或職位不因審判之結果而受影響
  - 審判獨立乃自由民主憲政秩序權力分立與制衡之重要原則
  - 司法行政監督權之行使，應以提升審判效率及維持裁判正確為主要目標
  - 最高司法機關依司法自主性發布之規則，得規定審理程序之細節性事項
- 下列何者非屬憲法增修條文所明定之事項？
  - 促進兩性地位之實質平等
  - 扶助並保護中小型經濟事業之生存與發展
  - 促進現代和傳統醫藥之研究發展
  - 推動公營事業民營化
- 依憲法及司法院大法官解釋，關於學術自由之保障，下列敘述何者錯誤？
  - 其依據為憲法第11條保障之講學自由
  - 學術自由之保障應自大學組織及其他相關制度加以確保
  - 大學課程之自主，因與教學、學習自由有關，屬學術自由保障之範圍
  - 學術自由之保障範圍限於研究、教學有關之事項，不包括預算之籌措與分配
- 依司法院大法官解釋，有關受刑人之通信檢查，下列敘述何者正確？
  - 受刑人發受書信，由監獄長官檢閱之，與憲法第12條保障秘密通訊自由之意旨不符
  - 受刑人撰寫之文稿，須題意正確且無礙監獄紀律及信譽者，始得准許投寄報章雜誌，與憲法保障表現自由之意旨不符
  - 監獄長官不得刪除受刑人書信之內容，否則即違反憲法保障秘密通訊及表現自由之意旨
  - 以施行細則規定，受刑人撰寫無礙監獄紀律及信譽之文稿，得准許投寄報章雜誌，無違法律保留原則
- 下列各基本權利中，何者與人格發展關係最為密切？
  - 財產權
  - 環境權
  - 資訊隱私權
  - 契約自由
- 依憲法增修條文規定，司法院之年度概算，由下列何機關編入中央政府總預算案，送立法院審議？
  - 考試院
  - 行政院
  - 司法院
  - 審計部

- 8 依憲法增修條文規定，關於立法委員之不逮捕特權，下列敘述何者錯誤？  
(A)如為現行犯，得予以逮捕  
(B)於常會會期中，非經立法院之同意，不得逮捕或拘禁  
(C)於臨時會會期中，非經立法院之同意，不得逮捕拘禁  
(D)立法委員任期中，非經立法院之同意，不得逮捕拘禁
- 9 依憲法及司法院大法官解釋，關於地方自治團體之財政權，下列敘述何者錯誤？  
(A)地方政府因國家整體國防政策而獲有利益，有義務分擔國防相關經費之支出  
(B)中央如有增加地方自治團體財政負擔之立法時，應有該地方自治團體之代表，參與陳述意見  
(C)涉及地方自治團體財政自主權之事項，有法律保留原則之適用  
(D)關於中央與地方辦理事項之財政責任分配，憲法並無明文
- 10 依據憲法及增修條文規定，關於大法官的敘述，下列何者錯誤？  
(A)司法院大法官任期 8 年，不分屆次，個別計算，並不得連任  
(B)司法院院長與副院長，並不當然兼具大法官身分，因此不受任期保障  
(C)司法院大法官由總統提名，經立法院同意任命之  
(D)除法官轉任者外，司法院大法官不適用法官終身職待遇之規定
- 11 依司法院釋字第 717 號解釋，政府就已經退休公務人員設定公務人員保險優惠存款上限，應避免何種情況？  
(A)因男性或女性而有歧視性差別待遇  
(B)單因身分地位決定給付多寡  
(C)逾越照顧弱勢族群之必要程度  
(D)退休所得降低至影響生活尊嚴之程度
- 12 收養經法院認可裁定確定後，自何時發生效力？  
(A)法院裁定認可收養時  
(B)向法院聲請認可收養時  
(C)書面訂立收養契約時  
(D)口頭訂立收養契約時
- 13 有關法律對於人的效力之敘述，下列何者錯誤？  
(A)凡屬本國人民不問其在國內或國外均適用本國法律者，稱為屬人主義  
(B)於該國領土境內之人，不論本國人或外國人一體適用該國法律者，稱為屬地主義  
(C)無論採用屬人主義或屬地主義，一經採用皆不容許任何例外情形  
(D)我國現行刑法兼採屬人主義及屬地主義
- 14 集會遊行法第 26 條規定「集會遊行之不予許可、限制或命令解散，應公平合理考量人民集會、遊行權利與其他法益間之均衡維護，以適當之方法為之，不得逾越所欲達成目的之必要限度」，與下列何種原則最為相關？  
(A)平等原則                      (B)權力分立原則                      (C)法律保留原則                      (D)比例原則
- 15 警察人員處理家庭暴力案件，必要時應採取方法保護被害人及防止家庭暴力之發生，下列敘述何者錯誤？  
(A)法院核發緊急保護令前，警察可以在被害人住居所守護  
(B)保護被害人及其子女至庇護所或醫療機構  
(C)訪查相對人及其家庭成員，並提供必要之安全措施  
(D)告知被害人其得行使之權利、救濟途徑及服務措施
- 16 關於習慣法之敘述，下列何者錯誤？  
(A)就同一事件反覆實施  
(B)一般人對之有法的確信  
(C)因屬慣行與確信，得與法律不同  
(D)不得違背公序良俗
- 17 關於法律之地的效力，下列敘述何者錯誤？  
(A)關於刑法之內亂罪，採世界主義  
(B)關於刑法之外患罪，採世界主義  
(C)關於刑法第 333 條之海盜罪，採保護主義  
(D)關於刑法第 214 條之偽造文書罪，採保護主義

- 18 依司法院解釋意旨，關於我國地方自治，下列敘述何者錯誤？  
(A)各級地方自治團體對上級監督機關之行政處分，認為違法或不當，致損害其權利或利益者，得提起訴願  
(B)地方自治團體就其自治事項，於合理範圍內以自治條例限制居民之基本權，與憲法第 23 條所規定之法律保留原則尚無抵觸  
(C)全民健康保險法規定地方分擔保險費之補助，尚非憲法所不許  
(D)地方自治團體行政機關人員受立法院各種委員會邀請到會備詢時，均負有到會備詢之義務
- 19 甲搭乘乙所駕駛之個人計程車，上車後甲即閉眼休息，在路經閃光黃燈有斑馬線之路口時，乙未注意而撞傷正在穿越斑馬線之行人丙。下列敘述何者正確？  
(A)只有甲應向丙負損害賠償責任 (B)只有乙應向丙負損害賠償責任  
(C)甲和乙應對丙負連帶賠償責任 (D)甲和乙對丙均無庸負責
- 20 在政府公告禁止自口蹄疫區進口豬肉之前，甲向乙訂購疫區進口之豬肉一批，乙因該公告無法進口豬肉交貨。關於買賣契約之效力，下列敘述何者正確？  
(A)買賣契約有效，甲得向乙主張損害賠償  
(B)買賣契約有效，乙免為給付豬肉，甲免為支付價金  
(C)買賣契約無效  
(D)買賣契約得撤銷之
- 21 中共設有「中央對臺工作領導小組」，負責涉臺事務，中共針對重要事務常設若干高層領導小組或委員會，做為「議事協調機構」。請問下列那一個不是中共設置的領導小組或委員會？  
(A)中央冤案平反工作領導小組 (B)中央巡視工作領導小組  
(C)中央黨的建設工作領導小組 (D)中央軍民融合發展委員會
- 22 有關北京所謂的「一個中國原則」(One China Principle)，下列敘述何者錯誤？  
(A)世界上只有一個中國，臺灣是中國的一部分，中華人民共和國是中國的唯一合法政府  
(B)大陸和臺灣同屬一個中國，中國的主權和領土完整不容分割  
(C)反對「兩德(統一)模式」  
(D)北京的「一個中國原則」和美國的「一個中國政策」(One China Policy)是一樣的內涵
- 23 2019 年有多個周年紀念，下列何者錯誤？  
(A)五四運動 90 年 (B)臺灣關係法 40 年 (C)天安門事件 30 年 (D)兩岸隔海分治 70 年
- 24 北京對臺統戰工作的所謂「三戰」，其包含的項目，下列敘述何者錯誤？  
(A)政治戰 (B)法律戰 (C)輿論戰 (D)心理戰
- 25 美國的「臺灣旅行法」條文中，不包含下列那一項？  
(A)美國閣員級官員可以來臺 (B)中華民國高層官員得以訪美  
(C)美國軍艦得來臺靠泊訪問 (D)美方官員應可參加我駐美代表處主辦活動
- 26 中共領導人習近平 2019 年 1 月 2 日在《告臺灣同胞書》發表 40 周年紀念會上發表講話，提及「探索『兩制』臺灣方案，豐富和平統一實踐」，在臺灣引發相當的爭辯。請問《中華人民共和國全國人大常委會告臺灣同胞書》係在下列那一位主持下，於 1979 年 1 月 1 日提出？  
(A)李先念 (B)葉劍英 (C)鄧小平 (D)胡耀邦
- 27 中共中央總書記習近平上任之後，強調「四個全面」戰略布局，不包括下列那一個？  
(A)全面依法治國 (B)全面深化改革 (C)全面建成小康社會 (D)全面完成祖國統一
- 28 北京所提過針對臺灣的「一國兩制」之內容，下列敘述何者錯誤？  
(A)堅持一個中國，制度可以不同，但在國際上代表中國的，只能是中華人民共和國  
(B)大陸方面不會派軍隊到臺灣，但是臺灣也不能保留軍隊  
(C)臺灣人事自主，大陸不派任何官員到臺灣  
(D)臺灣繼續保留政府架構，大陸方面將不對臺灣現行的政治制度(違背一個中國原則的除外)進行干預，臺灣的各種選舉仍將照常舉行

- 29 有關美國的兩岸政策，下列敘述何者錯誤？  
(A)美國聲明不排除扮演兩岸調停人的角色，以維持臺海的和平穩定  
(B)美國承諾提供防禦性武器給臺灣人民，對臺軍售不設定終止期限  
(C)臺灣關係法並沒有規定美國一定須防衛臺灣  
(D)美國不支持臺灣獨立
- 30 建立兩岸「軍事互信機制」以維持臺海和平的討論，自 1990 年代以來已有 20 多年，下列有關此一機制一直難以建立之敘述，何者正確？  
(A)臺灣人不要和平  
(B)北京長期以來否定以「軍事互信機制」來維持和平的功用，拒絕和各方談判此一概念  
(C)蔡英文政府樂見在沒有前提條件之下兩岸「軍事互信機制」的談判，然而北京堅持臺灣須先接受「一個中國框架」才能談判，這是兩岸「軍事互信機制」的談判難以開展的原因  
(D)美國表態反對兩岸進行「軍事互信機制」的談判
- 31 This company has been \_\_\_\_\_. It makes products ranging from aircraft engines to insurance, medical technology and plastics.  
(A)diversified (B)shortened (C)summoned (D)vaporized
- 32 The mortgage market has been in the \_\_\_\_\_ since the financial crisis crippled the banking industry last year.  
(A)excursion (B)celebrity (C)doldrums (D)incidence
- 33 There was so much \_\_\_\_\_ in the streets that travel was slow.  
(A)compression (B)combustion (C)congestion (D)confiscation
- 34 This coffee is too strong. Please \_\_\_\_\_ it by adding some water.  
(A)digest (B)dilute (C)revise (D)pacify
- 35 Using a(n) \_\_\_\_\_ thermal ice storage system, the device keeps cool with the equivalent of 13,000 tons of ice.  
(A)naive (B)innovative (C)retarded (D)overestimated
- 36 A recent study found that a positive attitude towards learning in early grades is \_\_\_\_\_ to success.  
(A)anxious (B)crucial (C)insecure (D)romantic

第 37 題至第 40 題為篇章結構題組，各題請依文意，從四個選項中選出最合適者，各題答案內容不重複：

Is bedtime just a time for dreaming? Do our brains turn off for the night? What if I told you that scientists recently discovered that our brains may be just as busy at night as they are during the day? 37 Researchers at the University of Rochester found that the brain may be busy cleaning house -- cleaning out harmful waste materials.

As with many studies, the researchers turned to mice for help. They studied mice that had colored dye injected into their brains. They observed the mice brains as they slept and when they were awake. The researchers say they saw that the brains of sleeping mice were hard at work. Dr. Maiken Nedergaard led the study. 38 It seems they have daytime jobs. Later they “moonlight” at a nighttime job. “Moonlighting” is working a nighttime job in addition to a day job. And this study says that is what our brains seem to be doing – working an extra job at night without additional pay for overtime. Whereas during sleep, they work very, very hard at removing all the waste that builds up when we are awake.

“When we are awake, the brain cells are working very hard at processing all the information about our surroundings. The researchers say that the waste material includes poisons, or toxins, responsible for brain disorders such as Alzheimer’s disease. It is not just beauty sleep. The brain needs us to sleep so it can get to work. 39 This shrinking permits waste to be removed more effectively.

Dr. Nedergaard says these toxins end up in the liver. There, they are broken down and then removed from the body. “So our study suggests that we need to sleep because we have a macroscopic cleaning system that removes many of the toxic waste products from the brain.”



The brain's cleaning system could only be studied with new imaging technologies. The test animal must be alive in order that this brain process may be seen as it happens. Dr. Nedergaard says the next step is to look for the process in human brains. 40 The research may also one day lead to treatments to prevent or help fight neurological disorders.

- 37 (A)They also found that during sleep, the brain's cells shrink, or become smaller.  
(B)While we sleep, our brains are doing much more than getting ready for the next day.  
(C)She said the results demonstrate just how important sleep is to health and fighting disease.  
(D)The brain expert says our brains perform two very different jobs.
- 38 (A)They also found that during sleep, the brain's cells shrink, or become smaller.  
(B)While we sleep, our brains are doing much more than getting ready for the next day.  
(C)She said the results demonstrate just how important sleep is to health and fighting disease.  
(D)The brain expert says our brains perform two very different jobs.
- 39 (A)They also found that during sleep, the brain's cells shrink, or become smaller.  
(B)While we sleep, our brains are doing much more than getting ready for the next day.  
(C)She said the results demonstrate just how important sleep is to health and fighting disease.  
(D)The brain expert says our brains perform two very different jobs.
- 40 (A)They also found that during sleep, the brain's cells shrink, or become smaller.  
(B)While we sleep, our brains are doing much more than getting ready for the next day.  
(C)She said the results demonstrate just how important sleep is to health and fighting disease.  
(D)The brain expert says our brains perform two very different jobs.

請依下文回答第 41 題至第 45 題：

It is believed that the color choices you make reflect a deeper meaning about your personality traits. For example, introverts and extroverts are likely to choose different colors – blue and red respectively. The colors you choose to wear might also say something about how you are feeling that day. Some days you may feel like wearing something lighter, something red, or something blue. These choices are often a reflection of how you are feeling at the moment. Additionally, wearing certain colors may cause you to react differently to certain situations.

The research also shows there may be a link between car color and serious injuries as a result of car accidents. From a safe perspective, it is recommended to choose expansive color with bright colors rather than contractive color with dark colors. Cars in light colors make lighter and cleaner impression than those in other colors. The study in Australia identified a clear statistically significant relationship between vehicle color and crash risk. Compared to white vehicles, a number of colors, generally those lower on the visibility index, were associated with higher crash risk. The association between vehicle color and crash risk was strongest during daylight hours. The analysis results also suggested that vehicle color has an association with crash severity with lower visibility colors having higher risks of more severe crashes, although environmental factors can also modify the relationship between vehicle color and crash risk. Further work is required to quantify this.

- 41 Which of the following is NOT mentioned in the passage?  
(A)Colors can expand your personality. (B)Colors can reveal your feeling.  
(C)Colors can change your mood. (D)Colors can cause you to react differently.
- 42 Which of the following is considered as low on the visibility index?  
(A)Expansive colors (B)Contractive colors (C)Light colors (D)Transparent colors
- 43 Which of the following might be the safest vehicle color according to the study?  
(A)black (B)red (C)silver (D)white

- 44 According to the passage, which of the following statements is true?  
(A) Vehicles with dark colors have higher crash risk during daylight hours.  
(B) Vehicles with light colors have higher crash risk during daylight hours.  
(C) Vehicles with dark colors have lower crash risk during daylight hours.  
(D) Vehicles with light colors have more severe crashes during daylight hours.
- 45 Which of the following correlative factors has NOT been proven to be significant?  
(A) Vehicle color and environmental factors (B) Vehicle color and crash risk  
(C) Vehicle color and time of the day (D) Vehicle color and crash severity

請依下文回答第 46 題至第 50 題：

One of the most dramatic features of the world is the cycle of day and night. Almost all species exhibit daily changes in their behavior and/or physiology. These daily rhythms are not simply a response to the 24-hour changes in the physical environment imposed by the earth turning on its axis but, instead, arise from a timekeeping system within the organism. This timekeeping system, or biological “clock,” allows the organism to anticipate and prepare for the changes in the physical environment that are associated with day and night, thereby ensuring that the organism will “do the right thing” at the right time of the day.

The synchrony of an organism with both its external and internal environments is critical to the organism’s well-being and survival; a lack of synchrony between the organism and the external environment may lead to the individual’s immediate demise. For example, if a nocturnal rodent were to venture from its burrow during broad daylight, the rodent would be exceptionally easy prey for other animals. Similarly, a lack of synchrony within the internal environment might lead to health problems in the individual, such as those associated with jet lag, shift work, and the accompanying sleep loss.

The mechanisms underlying the biological timekeeping systems and the potential consequences of their failure are among the issues addressed by researchers in the field of chronobiology. Although no single experiment serves as the defining event from which to date the beginning of modern research in chronobiology, studies conducted in the 1950s on circadian rhythmicity in fruit flies and in humans can be considered its foundation. The area of sleep research, which also is subsumed under the field of chronobiology, evolved somewhat independently, with the identification of various sleep stages around the same time.

- 46 What is the best topic of this passage?  
(A) The Foundation of Chronobiology. (B) The Feature of Life Cycle.  
(C) The Internal and External Environments. (D) The Overview of Biological Mechanism.
- 47 What does the word “subsumed” mean in the last paragraph?  
(A) Included (B) Reduced (C) Downsized (D) Underestimated
- 48 Which of the following is the result of an asynchrony of an organism with its internal environment?  
(A) Daily leaf movements of a plant exposed to sunlight.  
(B) Nocturnal animals having a sound sleep during daylight.  
(C) People experiencing difficulty falling asleep at night.  
(D) People feeling shocked when witnessing a car accident in the daytime.
- 49 Which of the following is considered an external environment?  
(A) An office setting. (B) A meditative activity.  
(C) A biological timekeeping system. (D) A desire to change one’s behavior.
- 50 According to this passage, which of the following statements is true?  
(A) Chronobiology began with the studies on circadian rhythm in fruit flies and humans.  
(B) All species simply respond to the cycle of day and night.  
(C) All species have an internal clock that is crucial for their survival.  
(D) Jet lag is a failure of a biological timekeeping mechanism.

# 測驗題標準答案更正

考試名稱：108年公務人員特種考試司法人員、法務部調查局調查人員、國家安全局國家安全情報人員、海岸巡防人員及移民行政人員考試

類科名稱：調查工作組(選試英文)、調查工作組(選試日文)、調查工作組(選試德文)、調查工作組(選試西班牙文)、調查工作組(選試阿拉伯文)、調查工作組(選試法文)、調查工作組(選試俄文)、調查工作組(選試韓文)、法律實務組、財經實務組、化學鑑識組、醫學鑑識組、電子科學組、資訊科學組、營繕工程組、情報組(選試英文)、國際組(選試西班牙文)、資訊組(選試英文)、電子組(選試英文)

科目名稱：綜合法政知識與英文(包括中華民國憲法、法學緒論、兩岸關係、英文)

單選題數：50題

單選每題配分：2.00分

複選題數：

複選每題配分：

標準答案：答案標註#者，表該題有更正答案，其更正內容詳見備註。

更多國安考試科目的歷屆題庫  
立即上網搜尋“國安考試歷屆考古題”  
高鋒公職補習班整理  
Line@帳號：@gaofeng  
連絡電話：07-236-7296

題號	第1題	第2題	第3題	第4題	第5題	第6題	第7題	第8題	第9題	第10題
答案	D	C	D	D	B	C	B	D	A	B

題號	第11題	第12題	第13題	第14題	第15題	第16題	第17題	第18題	第19題	第20題
答案	D	C	C	D	C	C	#	D	B	B

題號	第21題	第22題	第23題	第24題	第25題	第26題	第27題	第28題	第29題	第30題
答案	A	D	A	A	C	B	D	B	A	C

題號	第31題	第32題	第33題	第34題	第35題	第36題	第37題	第38題	第39題	第40題
答案	A	C	C	B	B	B	B	D	A	C

題號	第41題	第42題	第43題	第44題	第45題	第46題	第47題	第48題	第49題	第50題
答案	#	B	D	A	A	D	A	C	A	D

題號	第51題	第52題	第53題	第54題	第55題	第56題	第57題	第58題	第59題	第60題
答案										

題號	第61題	第62題	第63題	第64題	第65題	第66題	第67題	第68題	第69題	第70題
答案										

題號	第71題	第72題	第73題	第74題	第75題	第76題	第77題	第78題	第79題	第80題
答案										

題號	第81題	第82題	第83題	第84題	第85題	第86題	第87題	第88題	第89題	第90題
答案										

題號	第91題	第92題	第93題	第94題	第95題	第96題	第97題	第98題	第99題	第100題
答案										

備註：第17題答A或B或C或AB或AC或BC或ABC者均給分，第41題答A或C或A C者均給分。

108年公務人員特種考試司法人員、法務部  
調查局調查人員、國家安全局國家安全情報  
人員、海岸巡防人員及移民行政人員考試試題

考試別：國家安全情報人員  
等別：三等考試  
類科組：資訊組  
科目：網路應用與安全  
考試時間：2小時

更多國安考試科目的歷屆題庫  
立即上網搜尋“國安考試歷屆考古題”  
高鋒公職補習班整理  
Line@帳號：@gaofeng  
連絡電話：07-236-7296

座號：\_\_\_\_\_

※注意：(一)禁止使用電子計算器。

(二)不必抄題，作答時請將試題題號及答案依照順序寫在試卷上，於本試題上作答者，不予計分。

(三)本科目除專門名詞或數理公式外，應使用本國文字作答。

- 一、何謂 P2P (Peer to Peer) 網路？P2P 網路相較於傳統主從式 (Client/Server) 網路有那些優點？其帶來的安全隱憂為何？請說明之。(20分)
- 二、請先說明 DNS (Domain Name Service) 的功用及工作原理，然後解釋何謂 DNS 的 fast flux 技術並說明駭客為何要使用此技術？(20分)
- 三、雲端運算可分為基礎設施即服務 (Infrastructure as a Service, IaaS)、平臺即服務 (Platform as a Service, PaaS) 以及軟體即服務 (Software as a Service, SaaS) 等三類。請先說明此三類的區別，然後解釋虛擬機逃逸 (Virtual Machine escape) 這種雲端運算安全威脅的意義。(20分)
- 四、數位簽章 (Digital Signature) 在當今網路應用日益普遍。請先說明數位簽章的工作原理，然後解釋為何數位簽章的運用需要用到公開金鑰基礎建設 (Public Key Infrastructure)？(20分)
- 五、Kerberos 是發展已久的重要網路協定，請詳細說明其功用及工作原理。(20分)

代號：41450  
60350  
頁次：2-1

# 108年公務人員特種考試司法人員、法務部 調查局調查人員、國家安全局國家安全情報 人員、海岸巡防人員及移民行政人員考試試題

考試別：調查人員、國家安全情報人員

等別：三等考試

類科組：資訊科學組、資訊組

科目：資料庫應用

考試時間：2小時

更多國安考試科目的歷屆題庫  
立即上網搜尋“國安考試歷屆考古題”  
高鋒公職補習班整理  
Line@帳號：@gaofeng  
連絡電話：07-236-7296

座號：\_\_\_\_\_

※注意：(一)禁止使用電子計算器。

(二)不必抄題，作答時請將試題題號及答案依照順序寫在試卷上，於本試題上作答者，不予計分。

(三)本科目除專門名詞或數理公式外，應使用本國文字作答。

一、在關聯式資料庫 (relational database) 軟體所提供的功能中，有些定義可以讓系統協助檢查資料的一致性 (consistency)，有些定義則可以提升查詢處理的效率。假設要在資料庫系統中建立兩個表格，其中：學生表格用以記錄每個學生的基本資料，包含學號 (ID)、姓名 (name) 和主修系別 (dname)；系所表格用以記錄每個系的基本資料，包含系名 (dname)、系館名稱 (building) 和系主任 (chair)。此二表格的定義如下所示：

student (ID, name, dname)

department (dname, building, chair)

(一)請問你贊同把屬性 ID 定義為 student 表格的主鍵 (primary key) 嗎？

請詳述你贊同或不贊同的原因。(10分)

(二)假設屬性 dname 已經被定義為 department 表格的主鍵，你贊同把 student 表格中的屬性 dname 定義為外來鍵 (foreign key) 參照到 department 表格嗎？請詳述你贊同或不贊同的原因。(10分)

(三)你贊同把屬性 ID 定義為索引 (index) 嗎？請說明你贊同或不贊同的原因。(10分)

二、假設資料庫系統中定義了老師的授課資料，其中 instructor 表格定義了老師的教職員編號 (IID)、姓名 (name) 和系別 (dname) 等三個屬性，而 teach 表格定義了老師的教職員編號 (IID)、所教授的課程代碼 (CID) 和授課學年度。兩個表格如下所列，注意所有屬性皆為字串型態，且底線標示了各表格的主鍵 (primary key)：

instructor (IID, name, dname)

teach (IID, CID, year)

(一)請寫出 SQL 查詢句 (query statement)，列出每個系的系名以及該系的授課老師個數。(10分)

(二)請寫出 SQL 查詢句，列出名為「張三」的老師，於 106 學年度所有開設的課程代碼。(10 分)

(三)請問以下 SQL 查詢句是為了找出什麼樣的資料？請用中文詳述其資料語意 (semantics)：(10 分)

```
SELECT IID, CID  
FROM teach  
WHERE year = '107' and IID in(SELECT IID FROM instructor WHERE  
dname = '資工');
```

三、假設我們要建立一個資料庫系統，以管理本單位內員工使用交通工具的狀況。系統需求與限制如下所列：

1. 每台交通工具都要記錄其牌照號碼和購買年份。
2. 每個員工都要記錄其員工編號和職稱。
3. 每次某個員工使用某台交通工具後，都要記錄其使用的日期。
4. 員工只要有需求皆可以使用單位內的交通工具，並沒有限定使用的次數。
5. 交通工具分為汽車和摩托車兩種，汽車要記錄其可承載之乘客數，摩托車要記錄其是否為電動車。

請根據以上描述，利用實體關係模式 (Entity-Relationship model) 進行設計，並畫出對應的實體關係圖 (ER-diagram)。請注意圖中必須標明實體集合、關係集合、屬性、主鍵和對應數量限制等，也可使用擴充實體關係模式 (Extended ER model, EER) 的表示法。(20 分)

四、關聯式資料庫的技術已經相當成熟，也已經被一般企業或政府機構廣為使用，但是近年來又出現大數據 (Big data) 的議題，以及 NoSQL 類的資料庫軟體。

(一)請問你認為「大數據」所欲處理的資料，與一般傳統資料庫處理的資料，有何不同之處？請列出最明顯的 3 點特性並解釋之。(10 分)

(二)請問你認為那類軟體比較適合處理大數據？是常用的關聯式資料庫軟體，譬如 MySQL、SQL Server 等，還是 NoSQL 類的軟體，如 MongoDB、Cassandra、HBase 等，請詳述你的理由。(10 分)



代號：41320、60320  
60420  
頁次：1-1

108年公務人員特種考試司法人員、法務部  
調查局調查人員、國家安全局國家安全情報  
人員、海岸巡防人員及移民行政人員考試試題

考試別：調查人員、國家安全情報人員

等別：三等考試

類科組：調查人員電子科學組、國家安全情報人員資訊組、電子組

科目：計算機概論

考試時間：2小時

座號：\_\_\_\_\_

更多國安考試科目的歷屆題庫  
立即上網搜尋“國安考試歷屆考古題”  
高鋒公職補習班整理  
Line@帳號：@gaofeng  
連絡電話：07-236-7296

※注意：(一)禁止使用電子計算器。

(二)不必抄題，作答時請將試題題號及答案依照順序寫在試卷上，於本試題上作答者，不予計分。

(三)本科目除專門名詞或數理公式外，應使用本國文字作答。

一、試回答下列有關資料結構 (Data structure) 的問題：

(一)在樹這種資料結構中，何謂分支度 (Degree)？(3分)

(二)何謂樹的高度 (Height)？(3分)

(三)試說明圖形結構 (Graphs) 的走訪 (Visit) 方法：廣度優先搜尋法 (Breadth-first Search)。(7分)

(四)在雜湊表的查找過程，影響查找效率的因素為何？(7分)

二、試解釋並說明下列有關電腦安全的名詞：

(一)DoS attack (Denial of Service attack) (5分)

(二)Spoofing (5分)

(三)Botnets (or Zombie army) (5分)

三、試從各面向論述下列之網路技術：

(一)乙太網路 (Ethernet) (8分)

(二)藍牙 (Bluetooth) (8分)

四、試說明下列各種程式語言的結構 (例如資料、指令、流程控制等)、特色與應用：

(一)組合語言 (Assembly language) (8分)

(二)第三代程式語言 (8分)

(三)第四代程式語言 (4GL) (8分)

五、設有一個以 C 語言撰寫的程式，程式中的某個加減運算指令，最後會成為電腦硬體中的電路運作，以完成這個加減運算指令所要達成之功能，試詳細論述這個過程的所有軟硬體運作。(25分)

代號：10110-11410  
40110-41310  
60110-61210  
70110-70210  
90110-91110  
頁次：3-1

# 107年公務人員特種考試司法人員、法務部 調查局調查人員、國家安全局國家安全情報 人員、海岸巡防人員及移民行政人員考試試題

考試別：司法人員、調查人員、國家安全情報人員、海岸巡防人員、移民行政人員  
等別：三等考試

類科組：各類科組

科目：國文（作文、公文與測驗）

考試時間：2小時

※注意：禁止使用電子計算器。

更多國安考試科目的歷屆題庫  
立即上網搜尋“國安考試歷屆考古題”  
高鋒公職補習班整理  
Line@帳號：@gaofeng  
連絡電話：07-236-7296

座號：\_\_\_\_\_

## 甲、作文與公文部分：

- (一)請以藍、黑色鋼筆或原子筆在申論試卷上由左至右橫式作答，於本試題上作答者，不予計分。  
(二)不得於試卷上書寫姓名或入場證號。

### 一、作文：（60分）

商鞅命徙木賞金，秦民大服，秦國因而富強，世所共知。強調為政必先立信者，又不止法家，《論語·顏淵篇》：子貢問政，子曰：「足食，足兵，民信之矣。」子貢曰：「必不得已而去，於斯三者何先？」曰：「去兵。」子貢曰：「必不得已而去，於斯二者何先？」曰：「去食。自古皆有死，民無信不立。」足見法家、儒家都強調「民信」的重要。請以「民無信不立」為題，作文一篇，申述己見。

### 二、公文：（20分）

梅雨和颱風期間，大雨傾盆，沖刷山林，不肖分子伺機盜伐珍貴林木，隨山洪而至下游，欲據為私有，乃強行侵吞。警察人員不畏惡劣天候，不懼邪惡勢力，盡忠職守，維護國家利益，保障全民財產，可堪嘉勉。請試擬某縣（市）政府針對警察單位同仁不畏凶險，勇於任事，維護國家利益，指示相關單位宜論功行賞，並於文到十五日之內呈報受獎名單備核，以激勵士氣。

## 乙、測驗部分：（20分）

代號：1101

- (一)本測驗試題為單一選擇題，請選出一個正確或最適當的答案，複選作答者，該題不予計分。  
(二)共10題，每題2分，須用2B鉛筆在試卡上依題號清楚劃記，於本試題或申論試卷上作答者，不予計分。

1 下列文句，「」成語使用正確的是：

- (A)他為人海派，交遊廣闊，真可謂「銖兩悉稱」，來者不拒  
(B)他為人樂善好施，一生善行「擢髮難數」，堪為眾人表率  
(C)他總睡過頭，沒吃早餐就「玩歲愒日」，把身體都弄壞了  
(D)天氣轉涼，「金風玉露」，黃葉漸凋零，已是入秋時節了

2 「昔我曾眠三徑菊；今誰又抱一山詩」、「山水精華崇八記；桂湘教澤衍千秋」這兩副對聯所指的古代文人分別是：

- (A)蘇軾／韓愈 (B)蘇軾／柳宗元 (C)陶潛／韓愈 (D)陶潛／柳宗元

3 「戒爾學干祿，莫若勤道藝。嘗聞諸格言，學而優則仕。不患人不知，惟患學不至。」（范質〈誠兒姪八百字〉）

這是訓誡晚輩：

- (A)淡泊閒逸 (B)積極仕進 (C)積學廣才 (D)開闊胸襟

4 子曰：「君子之事上也，進思盡忠，退思補過，將順其美，匡救其惡，故上下能相親也。」《詩》云：「心乎愛矣，遐不謂矣，中心藏之，何日忘之。」（《孝經·事君》）

下列選項最合乎本文意旨的是：

- (A)為臣盡忠職守，順從君王政策 (B)見君主有未善之處，設法諫正  
(C)君子宜戒慎，對國君懷抱敬意 (D)執政最高藝術，在於君臣相愛

5 黃庭堅云：「樞機要發遲，飲食戒味厚。漁人溺於波，君子溺於口。」足見古人的持身處世智慧。

下列選項何者與上文不合？

- (A)「樞機要發遲」，乃因神志常失之不明，造成啟動遲緩  
(B)「飲食戒味厚」，此句是論君子須對口腹之欲有所節制  
(C)「漁人溺於波」，肇因深諳水性而失之警惕，遂有是害  
(D)因為有「溺」的危險，遂有前文「遲」、「戒」的提醒

6 有人來云：見坡下積屍三焉。……念其暴骨無主，將二童子持畚鍤往瘞之。二童子有難色然。予曰：「噫！吾與爾猶彼也！」二童閔然涕下，請往。就其傍山麓為三坎，埋之。又以隻雞、飯三盂，嗟吁涕洟而告之曰：「嗚呼傷哉！繫何人？繫何人？吾龍場驛丞餘姚王守仁也。吾與爾皆中土之產，吾不知爾郡邑，爾烏為乎來為茲山之鬼乎？古者重去其鄉，遊宦不逾千里。吾以竄逐而來此，宜也；爾亦何辜乎？」（王陽明〈瘞旅文〉）

根據上文，下列那一個選項最接近作者心境？

- (A)同情共感，物傷其類 (B)朱門酒肉臭，路有凍死骨  
(C)禍兮，福之所倚；福兮，禍之所伏 (D)勿以惡小而為之，勿以善小而不為

7 「當我四處行走之際，我總有幾本書防身。我讀著書本，有時候我循書中線索走進陌生城市的僻巷酒店或黑暗城區餐廳，並不特別感到害怕，因為我知道我有某位知識豐富的友人與我相伴，我其實並不孤單。每一本書的存在，就意味著一位前行者的存在，你並不是一位冒險者，你只是一位追隨者。」

下列選項最合乎本文意旨的是：

- (A) 盡信書不如無書 (B) 書可提供人身安全的保護  
(C) 書是旅遊良伴，鼓勵人們冒險 (D) 書提供資訊，旅人可以按圖索驥
- 8 「朝辭白帝彩雲間，千里江陵一日還。兩岸猿聲啼不住，輕舟已過萬重山。」（李白〈早發白帝城〉）「寂寂滿江月，白雲江上峰。人家半臨水，煙寺一聲鐘。倚棹憐風軟，披衣覺露濃。海霞先日上，倒映碧芙蓉。」（惠士奇《南中集·曉發貴溪》）

下列選項，何者敘述錯誤？

- (A) 二詩皆寫清早乘舟啟程，以詩歌內容判斷，兩者出發時間應相當接近  
(B) 二詩皆寫聲音，李詩以猿聲暗喻人事紛擾，惠詩以鐘聲襯托內心寧靜  
(C) 李詩後三句強調速度感，藉此反映其內心喜悅暢快，猶如順江的輕舟  
(D) 惠詩後四句描寫風景，可知行舟緩慢，作者方能觀察四周景物的變化
- 9 錢鍾書讀書成癡，腹笥甚廣，也愛買書，甚至大方的將書送給需要的人。而其夫人楊絳在一篇〈錢鍾書是怎樣做讀書筆記的〉一文裡，卻提到錢鍾書深諳「書非借不能讀」的道理。此說有其深意，也關乎閱讀之法。關於錢氏此種「書非借不能讀」的說法，下列選項敘述最正確的是：

- (A) 一定要到圖書館廣讀群書，才能打開眼界  
(B) 因為讀書成癖，所以酷嗜借書，方能滿足  
(C) 有借有還，讀書不拘一格，終能百川匯海  
(D) 借來的書不是自己所有，必然會急著讀完
- 10 「有個學生從哈佛大學法學院院長龐德的辦公室走出來，捧著一大堆書，低聲抱怨：『總是這樣。我問一個很簡單的問題，他可以回答是或否，卻給我十幾本書，說可以在書裡找到答案。』龐德事後說：『雖然費力，但那學生如果能好好鑽研這些書，他就可以真正了解那個問題。』」

依據上文，下列選項何者符合龐德院長的期望？

- (A) 學思並重 (B) 勤能補拙 (C) 明辨是非 (D) 見賢思齊

# 測驗式試題標準答案

考試名稱：107年公務人員特種考試司法人員、法務部調查局調查人員、國家安全局國家安全情報人員、海岸巡防人員及移民行政人員考試

類科名稱：法院書記官、行政執行官、司法事務官法律事務組、檢察事務官營繕工程組、檢察事務官財經實務組、觀護人(選試少年事件處理法)、公證人、觀護人(選試社會工作概論)、家事調查官、公職法醫師、監獄官(女)、檢察事務官偵查實務組、檢察事務官電子資訊組、監獄官(男)、調查工作組(選試韓文)、電子科學組、法律實務組、資訊科學組、調查工作組(選試法文)、醫學繼續組、調查工作組(選試西班牙文)、調查工作組(選試阿拉伯文)、調查工作組(選試英文)、化學繼續組、財經實務組、營繕工程組、資訊組(選試英文)、國際組(選試法文)、政經組(選試日文)、電子組(選試英文)、政經組(選試英文)、國際組(選試日文)、情報組(選試英文)、國際組(選試韓文)、情報組(選試日文)、數理組(選試英文)、國際組(選試英文)、政經組(選試德文)、海洋巡邏科輪機組、海巡行政、移民行政(選試泰文)、移民行政(選試法文)、移民行政(選試俄文)、移民行政(選試西班牙文)、移民行政(選試日文)、移民行政(選試葡萄牙文)、移民行政(選試德文)、移民行政(選試印尼文)、移民行政(選試越南文)、移民行政(選試韓文)、移民行政(選試英文)

科目名稱：國文(作文、公文與測驗)(試題代號：1101)

更多國安考試科目的歷屆題庫  
 立即上網搜尋“國安考試歷屆考古題”  
 高鋒公職補習班整理  
 Line@帳號：@gaofeng  
 連絡電話：07-236-7296

單選題數：10題

單選每題配分：2.00分

複選題數：

複選每題配分：

標準答案：

題號	第1題	第2題	第3題	第4題	第5題	第6題	第7題	第8題	第9題	第10題
答案	D	D	C	B	A	A	D	B	D	A

題號	第11題	第12題	第13題	第14題	第15題	第16題	第17題	第18題	第19題	第20題
答案										

題號	第21題	第22題	第23題	第24題	第25題	第26題	第27題	第28題	第29題	第30題
答案										

題號	第31題	第32題	第33題	第34題	第35題	第36題	第37題	第38題	第39題	第40題
答案										

題號	第41題	第42題	第43題	第44題	第45題	第46題	第47題	第48題	第49題	第50題
答案										

題號	第51題	第52題	第53題	第54題	第55題	第56題	第57題	第58題	第59題	第60題
答案										

題號	第61題	第62題	第63題	第64題	第65題	第66題	第67題	第68題	第69題	第70題
答案										

題號	第71題	第72題	第73題	第74題	第75題	第76題	第77題	第78題	第79題	第80題
答案										

題號	第81題	第82題	第83題	第84題	第85題	第86題	第87題	第88題	第89題	第90題
答案										

題號	第91題	第92題	第93題	第94題	第95題	第96題	第97題	第98題	第99題	第100題
答案										

備註：

107年公務人員特種考試司法人員、法務部  
調查局調查人員、國家安全局國家安全情報  
人員、海岸巡防人員及移民行政人員考試試題

代號：40140、60140  
60440、60640  
61040、61140  
61240  
頁次：7-1

考試別：調查人員、國家安全情報人員

等別：三等考試

類科組：調查工作組（選試英文）、各組別（選試英文）

科目：外國文（英文）

考試時間：2小時

※注意：禁止使用電子計算器。

更多國安考試科目的歷屆題庫  
立即上網搜尋“國安考試歷屆考古題”  
高鋒公職補習班整理  
Line@帳號：@gaofeng  
連絡電話：07-236-7296

座號：\_\_\_\_\_

甲、申論題部分：(50分)

- (一)不必抄題，作答時請將試題題號及答案依照順序寫在申論試卷上，於本試題上作答者，不予計分。  
(二)請以藍、黑色鋼筆或原子筆在申論試卷上作答。

一、英譯中：(15分)

It is reported that the entrapment felt by the soccer prodigy ran deeper than the overwhelming circumstances that brought about his fit, now widely believed to have been a combination of tension, and a possible reaction to the high dosage of painkiller that had gotten him through the semi-final.

二、中譯英：(15分)

讓這些科學家感興趣的是幫助人們去除不想要的記憶，因為這些記憶會造成心理疾病如憂鬱症和創傷後壓力失調症。即便在心理健康的人身上，亦有可能因無法忘記過去的事件而讓心智遲鈍及帶來痛苦。

三、英文作文：(20分)

It has been suggested that the war on terror has contributed to the growing abuse of human rights. Do you agree or disagree on the above statement? Write an English essay in NO MORE THAN 200 words to express your standpoint. Be sure to first rebut the other side's reasons and then use specific reasons and examples to support your opinion.

乙、測驗題部分：(50分)

代號：4401

- (一)本測驗試題為單一選擇題，請選出一個正確或最適當的答案，複選作答者，該題不予計分。  
(二)共40題，每題1.25分，須用2B鉛筆在試卡上依題號清楚劃記，於本試題或申論試卷上作答者，不予計分。

- Please keep your seat belt fastened when seated, \_\_\_\_\_ the seat-belt light is not illuminated.  
(A) as if (B) despite (C) even if (D) so that
- I will let you know what our chair says about the project, and in the \_\_\_\_\_ I will ask others for their opinions about it as well.  
(A) nutshell (B) moment (C) meantime (D) notion



- 3 With our limited budget, we can only buy an \_\_\_\_\_ car that runs well.  
(A) affluent (B) affirmative (C) affordable (D) astonished
- 4 The United States has returned hundreds of \_\_\_\_\_ artifacts stolen from religious sites five hundred years ago to the government of India.  
(A) ancient (B) ambiguous (C) individual (D) imaginable
- 5 The bank requires a written \_\_\_\_\_ from their clients in order to prevent fraud or update the information.  
(A) audition (B) admission (C) administration (D) authorization
- 6 H5N1 epidemic in 2003 caused many \_\_\_\_\_ around the world. Many people died from it.  
(A) fragments (B) fatalities (C) symptoms (D) syndromes
- 7 If you want to travel to an English speaking country, you need to overcome the language \_\_\_\_\_ between you and English speaking people, so that you won't have communication problems.  
(A) tension (B) barrier (C) nerve (D) stress
- 8 Scientists have found evidence that certain birth defects are \_\_\_\_\_ with certain chemicals in our environment. But often the chemical industry refused to accept the connection between their products and birth defects.  
(A) satisfied (B) aware (C) associated (D) rampant
- 9 The number of households relying on various social \_\_\_\_\_ programs to get by has increased significantly since the recent poor economic performance.  
(A) costume (B) mischief (C) protest (D) welfare
- 10 Without other possible means, he left what little furniture he owned to his landlord \_\_\_\_\_ rent.  
(A) in lieu of (B) in spite of (C) in favor of (D) in terms of
- 11 Language ability has traditionally been considered, by language teachers and language testers alike, to \_\_\_\_\_ of four skills.  
(A) consist (B) insist (C) resist (D) persist

請依下文回答第 12 題至第 13 題：

The two great Puritan entrepreneurs of culture in the twentieth century, Walt Disney of Disneyland and Hugh M. Hefner of Playboy, illustrate the 12 of the USA's middle class from accepting square values to accepting plastic values, which represents wanting to be fashionable and successful without paying the price. If Disney's attempts to employ technology to create a Middle American utopia resulted in a plastic universe of dancing dolls, animated mermaids, and, finally, an enervated and dehumanized world where technology was the only god, Hefner's 13 efforts to produce a secular playground were considerably less horrible.

- 12 (A) supplement (B) complement (C) transcript (D) transformation  
13 (A) parallel (B) retarded (C) irrelevant (D) apathetic



請依下文回答第 14 題至第 15 題：

Around the world, people are looking for new, longer-lasting sources of energy. One of these sources is the wind. Using wind turbines to generate electricity creates no air pollution and requires no fuel. Besides, wind is free! Building a turbine or mill costs money, but the wind itself costs nothing. In addition to being free, wind is 14. We won't run out of wind the way we will run out of coal, oil, or other fuel sources. In fact, the power that wind can create is much greater than the power that the world's current energy consumption needs. And the power can help people or small communities be 15. They would rely only on their turbine, not a city power grid. The key to making wind power work seems to be building more and better turbines. If we do that, it seems likely that wind power will be more and more important in our future.

- 14 (A) susceptible (B) sustainable (C) suffocating (D) suspicious  
15 (A) self-enticing (B) self-conscious (C) self-deceiving (D) self-reliant

請依下文回答第 16 題至第 20 題：

Discourse is an idealized and formalized version of communicative action. In communicative action participants search for 16 understanding by offering arguments that could command assent. As 17 to strategic action, where participants are primarily interested in bringing about a desired behavioral response, in communicative action participants are interested in bringing about 18 understanding. For example, in strategic action participants often attempt to 19 each other by introducing influences unrelated to the merits of an argument, such as threats, bribes, or coercion. Such inducements can bring about the desired behavior even in situation 20 the other player is not convinced that there are any inherently good reasons to act that way.

- 16 (A) mutual (B) binary (C) bizarre (D) minimal  
17 (A) supposed (B) opposed (C) committed (D) admitted  
18 (A) genuine (B) literary (C) neutral (D) trivial  
19 (A) switch (B) sway (C) stalk (D) stammer  
20 (A) where (B) which (C) what (D) why

篇章結構題組，第 21 題至第 22 題請依文意從四個選項中選出最合適者：

The paths of charity may lead us to happiness. 21. Donating and volunteering bring benefits to those who give. In terms of quantifying "happiness," spending money on oneself barely moves the needle, but spending on others causes a significant increase. 22. When people give to a cause they believe in, they become problem solvers, rather than bystanders or victims of circumstances.

- 21 (A) Charity depends on one's profession.  
(B) Happiness depends on how little we earn and how much we give.  
(C) How much we give depends.  
(D) There is strong evidence that those who are generous end up better off.

- 22 (A) Happiness provides an index to our wealth.  
(B) It is easier for a camel to go through the eye of a needle than for the rich to enter the kingdom of God.  
(C) Such actions imbue us with “self-efficacy.”  
(D) Wealth can solve a host of problems.

請依下文回答第 23 題至第 25 題：

Money is an important part of life, and one should learn to manage it wisely. However, it isn't everything. In a barren desert, a bottle of water is more valuable than a bag of gold, which is actually a burden because of its weight. On a date, a scooter can be more valuable than a BMW because a girl holding tightly to her date on the back of a scooter can have a closer bonding experience than a girl sitting in the passenger seat of a car. Most of the time, the necessity of money has been greatly exaggerated by the society. The value of money depends on the situation. It can be totally useless in one case and incomparably influential in another. The only unchangeable truth is that its utility increases when we share it—life is generous to us when we are generous to others.

We can all become masters of money if we put ourselves in the right frame of mind. When we are poor, we shall ask ourselves, “Why?” There must be a reason. When we see the rich, we should become inspired: What can we learn from them? When we are with the rich, our hearts should be at peace. Be happy for them, and be thankful for your own blessings. When we are rich, a frugal yet generous life is the true sign of good character. Some pinch pennies because they have to, but a wealthy person who wastes nothing and lives a frugal life is truly someone to be admired.

- 23 What is the passage mainly about?  
(A) How to have a wonderful date without spending too much money.  
(B) How do we distinguish between the rich and the poor.  
(C) How to recognize the value of money and be a master of it.  
(D) How do we get along with the rich and learn something from them.
- 24 Why does the author mention water and BMW in line 2 and line 4 ?  
(A) To contrast the price of daily necessities and luxury products.  
(B) To explain why we need to manage money wisely.  
(C) To show that the true value of things is determined by the circumstances.  
(D) To give examples of expensive and valuable things in daily life.
- 25 According to the passage, which of the following statements is NOT true?  
(A) We increase the value of the money when we share it.  
(B) Being generous is a key to running a successful business.  
(C) When we are poor we need to find out the reason for it.  
(D) A rich man deserves respect for his frugality.

請依下文回答第 26 題至第 30 題：

We lived on Waverly Place, in a warm, clean, two-bedroom flat that sat above a small Chinese bakery specializing in steamed pastries and dim sum. In the early morning, when the alley was still quiet, I could smell fragrant red beans as they were cooked down to a pasty sweetness. By daybreak, our flat was heavy with the odor of fried sesame balls and sweet curdled chicken crescents. From my bed, I would listen as my father got ready for work, then locked the door behind him, one-two-three clicks. At the end of our two-block alley was a small sandlot playground with swings and slides well-shined down the middle with use. The play area was bordered by wood-slat benches where old-country people sat cracking roasted watermelon seeds with their golden teeth and scattering the husks to an impatient gathering of gurgling pigeons. The best playground, however, was the dark alley itself. It was crammed with daily mysteries and adventures. My brothers and I would peer into the medicinal herb-shop, watching old Li dole out onto a stiff sheet of white paper the right amount of insect shells, saffron-colored seeds, and pungent leaves for his ailing customers. It was said that he once cured a woman dying of an ancestral curse that had eluded the best of American doctors. Next to the pharmacy was a printer who specialized in gold-embossed wedding invitations and festive red banners. Farther down the street was Ping Yuen Fish Market. The front window displayed a tank crowded with doomed fish and turtles struggling to gain footing on the slimy green-tiled sides. Inside, the butchers with their bloodstained white smocks deftly gutted the fish while customers cried out their orders and shouted, “Give me your freshest,” to which the butchers always protested, “All are freshest.”

- 26 What could you smell in the apartment in the morning?  
(A) Chicken soup. (B) Pastries and sweets. (C) Medicinal herbs. (D) Fish and seafood.
- 27 Where did the old people sit cracking roasted watermelon seeds?  
(A) Under the red banner in a festival.  
(B) On the green-tiled ground in the dark alley.  
(C) By the wood-slat sideway next to the herb shop.  
(D) On the benches surrounding the play area.
- 28 Which of the followings is NOT true according to the passage?  
(A) The woman dying of an ancestral curse was cured by American doctors.  
(B) The pharmacy was full of saffron-colored seeds and pungent leaves.  
(C) The author thought the stores located in the dark alley were exciting.  
(D) The apartment was situated above a small Chinese bakery.
- 29 Which of the followings is the closest in meaning to the phrase “dole out”?  
(A) Influence. (B) Abandon. (C) Portray. (D) Dispense.
- 30 Which business type is NOT mentioned in the passage?  
(A) Bakery. (B) Pharmacy. (C) Cafeteria. (D) Printing.

請依下文回答第 31 題至第 35 題：

Earth is poorly named. The ocean 31 almost three-quarters of the planet. The ocean provides 3 billion people with almost a fifth of their protein, making fish a bigger source of the stuff than beef. Fishing and aquaculture assure the 32 of one in ten of the world's people. Climate and weather systems depend on the temperature patterns of the ocean and its interactions with the atmosphere. If anything ought to be too big to fail, it is the ocean.

Humans have long 33 that the ocean's size allowed them to put anything they wanted into it and to take anything they wanted out. Changing temperatures and chemistry, overfishing and pollution have stressed its ecosystems for decades. The ocean stores more than nine-tenths of the heat trapped on Earth by greenhouse-gas emissions. 34, coral reefs are suffering; scientists expect almost all corals to be gone by 2050.

By the middle of this century the ocean could contain more plastic than fish by weight. Ground down into tiny pieces, it is eaten by fish and then by people. Appetite for fish grows 35: almost 90% of stocks are fished either at or beyond their sustainable limits. The ocean nurtures humanity. Humanity treats it with contempt.

- 31 (A) covers (B) imposes (C) discloses (D) exposes  
32 (A) recreations (B) livelihoods (C) restorations (D) utilities  
33 (A) discarded (B) withheld (C) assumed (D) overseen  
34 (A) On and off (B) All the same (C) At all costs (D) As a result  
35 (A) nevertheless (B) thereafter (C) whereby (D) henceforth

請依下文回答第 36 題至第 40 題：

In order to determine whether bots can be accurately detected, how bots behave, and how they impact Twitter activity, the researchers divided accounts into categories based on total number of followers, and found that accounts with more than 10 million followers tend to retweet at similar rates to bots. In accounts with fewer followers however, bots tend to retweet far more than humans. These celebrity-level accounts also tweet at roughly the same pace as bots with similar follower numbers, whereas in smaller accounts, bots tweet far more than humans.

Bots, like people, can be malicious or benign. The term "bot" is often associated with spam, offensive content or political infiltration, but many of the most reputable organizations in the world also rely on bots for their social media channels. For example, major news organizations, such as CNN or the BBC, who produce hundreds of pieces of content daily, rely on automation to share the news in the most efficient way. These accounts, while classified as bots, are seen by users as trustworthy sources of information.

“A Twitter user can be a human and still be a spammer, and an account can be operated by a bot and still be benign,” said Zafar Gilani, a PhD student at Cambridge’s Computer Laboratory, who led the research. “We’re interested in seeing how effectively we can detect automated accounts and what effects they have.”

Bots have been on Twitter for the majority of the social network’s existence—it’s been estimated that anywhere between 40% and 60% of all Twitter accounts are bots. Some bots have tens of millions of followers, although the vast majority have less than a thousand—human accounts have a similar distribution.

- 36 Which of the following statements is true?
- (A) Twitter-followers are often described as spammers.
  - (B) Celebrities tweet as often as bots when they have a similar number of followers.
  - (C) The more followers a twitter account has, the less likely it will be tweeted by humans.
  - (D) Twitters anywhere can only be bots with more than 10 million followers.
- 37 Which of the following is true about “bots”?
- (A) Bots are a different kind of human-twiters.
  - (B) Bots are often associated with malicious twitters.
  - (C) Bots rely on humans to execute orders.
  - (D) Bots operated by humans can only be malicious.
- 38 Which of the following statements is NOT true?
- (A) CNN or BBC relies on twitters to deliver trustworthy information.
  - (B) Bots have been on Twitter for some of the celebrities’ existence.
  - (C) Both human and non-human accounts are possible on Twitter.
  - (D) Twitter accounts are barely dominated by bots.
- 39 According to the passage, what could be said of the human accounts and bots?
- (A) They have the same distribution in followers.
  - (B) Human twitters are far more benign than bots.
  - (C) The accounts operated by humans and bots are of equal number.
  - (D) The vast majority of human twitters are malicious.
- 40 What can be inferred according to the passage?
- (A) Bots cannot be detected by any means.
  - (B) Celebrity twitter accounts display bot-like behavior.
  - (C) Bots are hardly used by media channels.
  - (D) Celebrity twitter accounts are seldom benign.

# 測驗式試題標準答案

考試名稱：107年公務人員特種考試司法人員、法務部調查局調查人員、國家安全局國家安全情報人員、海岸巡防人員及移民行政人員考試

類科名稱：調查工作組(選試英文)、數理組(選試英文)、電子組(選試英文)、政經組(選試英文)、資訊組(選試英文)、情報組(選試英文)、國際組(選試英文)

科目名稱：外國文(英文)(試題代號：4401)

更多國安考試科目的歷屆題庫  
立即上網搜尋“國安考試歷屆考古題”  
高鋒公職補習班整理  
Line@帳號：@gaofeng  
連絡電話：07-236-7296

單選題數：40題

單選每題配分：1.25分

複選題數：

複選每題配分：

標準答案：

題號	第1題	第2題	第3題	第4題	第5題	第6題	第7題	第8題	第9題	第10題
答案	C	C	C	A	D	B	B	C	D	A

題號	第11題	第12題	第13題	第14題	第15題	第16題	第17題	第18題	第19題	第20題
答案	A	D	A	B	D	A	B	A	B	A

題號	第21題	第22題	第23題	第24題	第25題	第26題	第27題	第28題	第29題	第30題
答案	D	C	C	C	B	B	D	A	D	C

題號	第31題	第32題	第33題	第34題	第35題	第36題	第37題	第38題	第39題	第40題
答案	A	B	C	D	A	B	B	A	A	B

題號	第41題	第42題	第43題	第44題	第45題	第46題	第47題	第48題	第49題	第50題
答案										

題號	第51題	第52題	第53題	第54題	第55題	第56題	第57題	第58題	第59題	第60題
答案										

題號	第61題	第62題	第63題	第64題	第65題	第66題	第67題	第68題	第69題	第70題
答案										

題號	第71題	第72題	第73題	第74題	第75題	第76題	第77題	第78題	第79題	第80題
答案										

題號	第81題	第82題	第83題	第84題	第85題	第86題	第87題	第88題	第89題	第90題
答案										

題號	第91題	第92題	第93題	第94題	第95題	第96題	第97題	第98題	第99題	第100題
答案										

備註：

# 107年公務人員特種考試司法人員、法務部 調查局調查人員、國家安全局國家安全情報 人員、海岸巡防人員及移民行政人員考試試題

考試別：調查人員、國家安全情報人員

等別：三等考試

類科組：各組別

科目：綜合法政知識與英文（包括中華民國憲法、法學緒論、兩岸關係、英文）

考試時間：1小時

更多國安考試科目的歷屆題庫  
立即上網搜尋“國安考試歷屆考古題”  
高鋒公職補習班整理  
Line@帳號：@gaofeng  
連絡電話：07-236-7296

座號：\_\_\_\_\_

※注意：(一)本試題為單一選擇題，請選出一個正確或最適當的答案，複選作答者，該題不予計分。

(二)本科目共 50 題，每題 2 分，須用 2B 鉛筆在試卡上依題號清楚劃記，於本試題上作答者，不予計分。

(三)禁止使用電子計算器。

- 1 依憲法本文之規定，下列何者專屬由「中央立法並執行」？  
(A)郵政電政 (B)公用徵收 (C)合作事業 (D)警察制度
- 2 依司法院大法官解釋，以新聞及電視方式表達意見，屬於憲法所保障之何種權利？  
(A)言論自由 (B)出版自由 (C)著作自由 (D)通訊自由
- 3 依據司法院釋字第 603 號解釋，大法官認為「請領國民身分證，應捺指紋並錄存」之規定應屬違憲，係因該條規定侵害何種基本權？  
(A)資訊隱私權 (B)人身自由權 (C)秘密通訊自由 (D)財產權
- 4 甲為慶祝其成年，租用臺鐵專用車廂與親朋好友聚會同樂，是否須經主管機關許可？  
(A)屬室內遊行，須先經許可 (B)屬室外集會，須先經許可  
(C)屬室內集會，毋須先經許可 (D)屬室外遊行，毋須先經許可
- 5 人民有依法律納稅之義務，下列敘述何者錯誤？  
(A)國家對國民徵稅之行為，係對國民財產權之干預  
(B)稅法之解釋應本於租稅法律主義之精神，依各該法律之立法目的，衡酌經濟上之意義及實質課稅之公平原則為之  
(C)課稅原因事實之有無及有關證據之證明力如何，亦屬於租稅法律主義之範圍  
(D)稅捐係人民之負擔，基於負擔平等原則，稅捐之徵收合乎稅捐公平原則
- 6 依憲法規定及相關司法院大法官解釋，有關國家賠償之敘述，下列何者錯誤？  
(A)立法機關有制定有關國家賠償法律之義務  
(B)立法機關得針對人民請求國家賠償之要件為合理之裁量，但應符合憲法上之比例原則  
(C)憲法第 24 條規定無法直接作為人民向國家請求賠償之法律基礎  
(D)立法者針對有審判或追訴職務之公務員，因執行職務侵害人民自由或權利之國家賠償要件為特別規定，已逾越立法裁量之範圍
- 7 下列何者得對總統、副總統提出彈劾案？  
(A)行政院 (B)立法院 (C)監察院 (D)司法院
- 8 有關行政一體原則之敘述，下列何者錯誤？  
(A)行政必須有整體之考量，無論如何分工，最終仍須歸屬最高行政首長統籌指揮監督  
(B)行政一體原則在憲法上之依據如憲法第 53 條：「行政院為國家最高行政機關」之規定  
(C)獨立機關是將原行政院所掌理特定領域之行政事務從層級式行政體制獨立而出，因此無行政一體原則之適用  
(D)行政一體原則之目的在於促進行政機關間之合作，提升效能，並使具有一體性之國家有效運作
- 9 下列何者行政院不得刪減，但得加註意見，編入中央政府總預算案，送立法院審議？  
(A)總統府所提出之年度國安概算 (B)司法院所提出之年度司法概算  
(C)監察院所提出之年度監察概算 (D)考試院所提出之年度考試概算
- 10 依憲法及增修條文之規定，下列有關監察委員之敘述，何者錯誤？  
(A)享有言論免責權 (B)對違法失職之公務人員得提出彈劾案  
(C)依據法律獨立行使職權 (D)禁止執行律師業務
- 11 有關行政命令之敘述，下列何者正確？  
(A)中央法規標準法規定之行政命令與行政程序法規定之種類均相同  
(B)中央法規標準法規定之行政命令包括職權命令  
(C)中央法規標準法規定之行政命令包括職務命令  
(D)行政程序法規定之行政命令包括職權命令



- 12 關於地方行政機關與地方立法機關之組織，下列敘述何者正確？  
(A)直轄市政府與直轄市議會之組織，由行政院擬訂準則  
(B)縣（市）政府與縣（市）議會之組織，由內政部擬訂準則，報行政院核定  
(C)鄉（鎮、市）公所與鄉（鎮、市）民代表會之組織，由縣（市）擬訂準則，報內政部核定  
(D)直轄市山地原住民區公所與區民代表會之組織，由直轄市政府擬訂準則，報內政部核定
- 13 主管機關為整頓市容，不論房屋是否危及公共安全，凡有礙都市觀瞻者一律依都市更新條例要求民眾拆屋重建，此舉違反下列何種原則？  
(A)誠實信用原則 (B)依法行政原則 (C)信賴保護原則 (D)比例原則
- 14 關於職權命令之敘述，下列何者錯誤？  
(A)行政程序法於命令之類型設有明文規定  
(B)內政部曾透過職權命令管制玩具槍且事後被宣告違憲  
(C)若職權命令欠缺法律授權卻涉及人民權利之限制，即違反法律保留  
(D)職權命令之性質雖頗受爭議但實務上仍不乏運用之實例
- 15 甲以其所有土地設定地上權於乙，乙將取得之地上權設定權利抵押權於丙。丙欲拋棄權利抵押權時，應對誰為拋棄之意思表示？  
(A)甲 (B)乙 (C)甲、乙 (D)只須拋棄對物之占有
- 16 A 被 B 駕車撞傷。住院期間，由親友無償看護。關於 B 的賠償責任，下列敘述何者正確？  
(A)因親友是無償看護，所以 A 並無損害，因此 B 也無須賠償  
(B)A 雖然無損害，但 B 應向親友賠償一般看護費用  
(C)B 必須賠償一般看護費用給 A  
(D)A 必須將損害賠償請求權讓與親友
- 17 下列何者非屬刑法學理上所稱之授權公務員？  
(A)辦理公證業務之司法院所屬民間公證人 (B)辦理律師懲戒之律師懲戒委員會的律師  
(C)辦法法官評鑑之法官評鑑委員會的律師 (D)辦理法律諮詢之縣市政府義務扶助律師
- 18 關於有限公司之資訊，下列何者非屬於任何人得向主管機關申請查閱或抄錄之事項？  
(A)股東之姓名或名稱、住所或居所 (B)各股東之出資額  
(C)非現金出資所抵繳之股款 (D)經理人姓名
- 19 依全民健康保險法之規定，關於被保險人之敘述，下列何者錯誤？  
(A)公、民營事業、機構之受僱者為第一類被保險人  
(B)無一定雇主或自營作業而參加職業工會者為第一類被保險人  
(C)具有被保險人資格者，並不得以眷屬身分投保  
(D)雇主或自營業主為第一類被保險人
- 20 依性別工作平等法第 27 條之規定，受僱者或求職者因性騷擾受有損害者，下列何者正確？  
(A)由雇主及行為人連帶負損害賠償責任 (B)由雇主單獨負賠償責任  
(C)由行為人單獨負賠償責任 (D)先向行為人求償，無法獲得賠償時，再向雇主流償
- 21 依臺灣地區與大陸地區人民關係條例，除經有關機關認有特殊考量必要外，若臺灣地區人民在大陸地區設有戶籍或領用大陸地區護照，下列何者錯誤？  
(A)喪失臺灣地區人民身分  
(B)喪失臺灣地區人民身分所負之責任及義務  
(C)喪失擔任軍職、公職權利  
(D)喪失臺灣地區人民在臺灣地區選舉、罷免、創制、複決權利
- 22 對於大陸地區人民經許可進入臺灣地區者，非在臺灣地區設有戶籍滿十年，不得擔任公務人員，依相關司法院大法官解釋，下列何者正確？  
(A)兩岸目前仍處於分治與對立之狀態，政治、經濟與社會等體制未有重大之本質差異  
(B)原設籍大陸地區人民設籍臺灣地區未滿十年者，對自由民主憲政體制認識與其他臺灣地區人民容有差異  
(C)原設籍大陸地區人民融入臺灣社會毋需經過任何適應期間  
(D)原設籍大陸地區人民於擔任公務人員時普遍獲得人民對其所行使公權力之信賴，毋需有長時間之培養
- 23 依臺灣地區與大陸地區人民關係條例規定，有關臺灣地區人民之敘述，下列何者錯誤？  
(A)在臺灣地區出生，其父母均為臺灣地區人民，或一方為臺灣地區人民，一方為大陸地區人民者  
(B)在臺灣地區出生，其父母均為大陸地區人民者  
(C)在大陸地區出生，其父母均為臺灣地區人民，未在大陸地區設有戶籍或領用大陸地區護照者  
(D)在大陸地區出生，其父母一方為臺灣地區人民，一方為大陸地區人民，未在大陸地區設有戶籍或領用大陸地區護照，並於出生後一年內在臺灣地區設有戶籍者

- 24 進入臺灣地區之大陸地區人民受強制出境處分，內政部移民署依一定條件得暫予收容，下列何種條件錯誤？  
(A)有相關旅行證件 (B)有事實足認有行方不明、逃逸或不願自行出境之虞  
(C)於境外遭通緝 (D)非予收容顯難強制出境
- 25 針對中國大陸於民國 107 年 2 月 28 日發布「關於促進兩岸經濟文化交流合作的若干措施」（對臺 31 項措施），行政院提出八大強臺策略，下列何者錯誤？  
(A)提升學研人才獎勵、強化新創發展動能 (B)強化員工獎酬工具、優化醫事人員工作環境  
(C)加強保護公務秘密、強化產業創新升級 (D)擴大股市動能及國際能見度、加強發展影視產業
- 26 依臺灣地區與大陸地區人民關係條例，下列何種情形大陸地區人民得申請在臺灣地區定居？  
(A)臺灣地區人民之直系血親及配偶，年齡在七十歲以上、十二歲以下者  
(B)民國 34 年前，因兵役關係滯留大陸地區之臺籍軍人及其配偶  
(C)民國 76 年 11 月 1 日後，因船舶故障、海難或其他不可抗力之事由滯留大陸地區，且在臺灣地區原有戶籍之漁民或船員  
(D)民國 38 年政府遷臺前，因作戰或執行特種任務被俘之前國軍官兵及其配偶
- 27 民國 107 年 7 月 2 日起正式施行之「大陸委員會組織法」，下列敘述何者正確？  
(A)置副主任委員二至三人 (B)廢除常務副主任委員 (C)增加特任副主任委員 (D)廢除特任副主任委員
- 28 有關我國憲法與兩岸關係相關法規敘述，下列何者正確？  
(A)民國 81 年廢止動員戡亂臨時條款  
(B)憲法本文規定，自由地區與大陸地區間人民權利義務關係及其他事務之處理，得以行政命令為特別之規定  
(C)臺灣地區與大陸地區人民關係條例中，大陸地區是指臺灣地區以外之中華民國領土  
(D)臺灣地區與大陸地區人民關係條例中，臺灣地區是指臺灣、澎湖、金門、馬祖及釣魚台
- 29 民國 107 年中國大陸修改憲法，有關國家主席與副主席之任期，下列敘述何者正確？  
(A)中華人民共和國主席、副主席每屆任期與全國人民代表大會每屆任期相同  
(B)中華人民共和國主席、副主席每屆任期與全國人民代表大會每屆任期相同，連續任職不得超過兩屆  
(C)中華人民共和國主席、副主席每屆任期與全國人民代表大會每屆任期相同，連續任職不得超過三屆  
(D)中華人民共和國主席、副主席每屆任期與全國人民代表大會每屆任期相同，必要時得增加一屆
- 30 中國大陸最高的行政機關是那一個機關？  
(A)國家主席 (B)全國人民代表大會常務委員會  
(C)國務院 (D)中共中央政治局常務委員會
- 31 To reach an \_\_\_\_\_ result from the medication, you have to follow the doctor's instruction without fail.  
(A) optimal (B) exclusive (C) elevated (D) alternative
- 32 Your apartment looks shabby. A \_\_\_\_\_ is what it needs if you want to sell it for a better price.  
(A) renovation (B) malfunction (C) construction (D) detection
- 33 That friends have meals together without talking to each other but playing with their own cell phone is a \_\_\_\_\_ often seen in modern society.  
(A) description (B) cosmopolitan (C) phenomenon (D) confrontation
- 34 Large cities are usually overcrowded and dirty; \_\_\_\_\_, they tend to have high crime rates.  
(A) instead (B) nevertheless (C) in addition (D) for example
- 35 He is a(n) \_\_\_\_\_ popular and successful singer who has won four Grammy awards.  
(A) ignorantly (B) meticulously (C) prosperously (D) overwhelmingly
- 36 Because the topic of business is so broad, it's helpful to \_\_\_\_\_ in on one aspect: management.  
(A) fix (B) zero (C) focus (D) zip
- 37 Many farmers tend to be more \_\_\_\_\_ in their crop range and include exotic fruit and vegetables.  
(A) rigid (B) diverse (C) suspicious (D) conservative
- 38 In some African countries, scarring is considered a rite of \_\_\_\_\_, symbolizing a child turning into an adult.  
(A) anniversary (B) passage (C) compassion (D) regression
- 39 Rio de Janeiro, the capital city of Brazil, is a \_\_\_\_\_ city full of life and energy.  
(A) capable (B) desolate (C) barren (D) vibrant
- 40 David got Type A influenza last week. After resting and taking medicine for a week, he should be back \_\_\_\_\_ in no time.  
(A) on hand (B) on his feet (C) under the weather (D) with conscience

請依下文回答第 41 至 45 題：

As birds awaken the early risers at dawn on the farm, one person is already up; in fact, he hasn't even been to bed. Sixty-four-year-old Thai Ngoc, from central Quang Nam province in Vietnam, claims that he has not slept for 33 years! "My insomnia started many years ago after I got a fever. I have tried sleeping pills and Vietnamese traditional medicine, but nothing helps, not even to get me to sleep for a few minutes," said Ngoc. But amazingly, despite 11,700 41 sleepless nights since then, he has never once been sick. "Fortunately, the insomnia doesn't seem to have had a negative 42 on my health. I still feel healthy and can farm like other men. I even carry two 50-kilogram bags of fertilizer for four kilometers every day." 43 his wife, when Ngoc went for a medical checkup recently, his doctor said he was in perfect health except for a minor 44 in liver function. Ngoc lives with his six children on his farm at the foot of a mountain. He spends the day farming and taking care of his pigs and chickens, and at night he often does extra farm work or guards his farm to prevent theft. His neighbor Vu said that Ngoc volunteered to help beat a drum during the night and guard the house for the relatives of the dead during 45 ceremonies so that they could take a nap. Vu also said that when the villagers were planting sugar cane, several people asked Ngoc to be their "alarm clock" and wake them up early in the morning to go to work as he was up anyway.

- |                     |                |                 |                |
|---------------------|----------------|-----------------|----------------|
| 41 (A) contestant   | (B) contingent | (C) consecutive | (D) converging |
| 42 (A) image        | (B) impact     | (C) imprint     | (D) impression |
| 43 (A) According to | (B) Because of | (C) Due to      | (D) Except for |
| 44 (A) fault        | (B) tone       | (C) decline     | (D) mistake    |
| 45 (A) funeral      | (B) wedding    | (C) baptism     | (D) opening    |

請依下文回答第 46 至 50 題：

One of the fastest growing industries around the globe is the creative and cultural industries. The industries basically combine arts, culture, business and technology. In Europe, the United Kingdom owns the hugest amount of creative sectors owing to the active and effective promotion of the government. With its excellent track record, the UK is regarded as a pioneer and a world leader in sustaining the development of creative and cultural industries. According to the UK's definition, the creative and cultural industries generally refer to those industries that rely on original creativity, expertise and talent and have the capacity to generate wealth and jobs by means of the advancement of intellectual property. In total, there are thirteen sectors that can be seen as belonging to the creative and cultural industries, including advertising, architecture, the art and antiques market, crafts, design, designer fashion, film, interactive leisure software, music, the performing arts, publishing, software, and television and radio. Later definition of the industries has also added the aspects of enhancing social inclusion, cultural diversity and human development to the initial one.

In comparison with other countries such as the UK, Hong Kong, Australia and New Zealand, Taiwan still has space for the development of the creative and cultural industries. Although not necessarily coming in large number, three of the most prosperous cases in Taiwan include Liuli Gongfang, Seagull Group, and PiLi International. Liuli Gongfang emerged as a small enterprise and then became one of the world's leading glassware makers. The Seagull Group has an internationally renowned brand, "Fran," because of its successful promotion strategies. PiLi International with its incorporation of multimedia has remarkably converted itself from a traditional puppet theatre troupe into a modern and flourishing venture. While still adhering to the original puppet show philosophy, PiLi has in effect woven the modern and contemporary culture into the puppet show tradition so nicely that it has become a great success in the creative industry. PiLi's innovative commercialization of traditional culture has received much admiration as well as an excellent model for related industries to imitate. In 2002, PiLi was also certified by the Government Information Office as part of an "important emerging industry," recognizing its significant role in the creative and cultural industries. With the rapid emergence of these industries, both the government and the people in Taiwan have also paid much attention to the growth of these industries.

- 46 What is the rhetorical mode employed in this passage?  
 (A) Exposition (B) Narration (C) Persuasion (D) Classification
- 47 Which following definition of the creative and cultural industries corresponds closely to the UK's version?  
 (A) They involve an imitation of knowledge and skills in order to open up possibilities for trades and businesses.  
 (B) They require originality, skill and talent that can create jobs and generate revenues with the activation of intellectual property.  
 (C) They entail creativity and culture that inspire individual talent and skills to develop social welfare.  
 (D) They use intellectual property to protect personal knowledge and skills in order to gain profits in the market.
- 48 Which sector listed below is part of the creative and cultural industries?  
 (A) Transportation (B) Manufacturing (C) Web Services (D) Video Games
- 49 What is the secret lying behind the successful story of PiLi International?  
 (A) Its outstanding performance of the traditional puppet shows.  
 (B) Its innovative adaptation of the puppets as main characters in a film.  
 (C) Its notable merchandising of the puppets into popular culture figures.  
 (D) Its productive integration of the old and the new into the puppet shows.
- 50 In which aspect does PiLi International set a good example for other industries to look up to?  
 (A) Its successful implementation of promotion strategies.  
 (B) Its cutting-edge conversion of the traditional puppet shows.  
 (C) Its profitable marketing of the traditional puppet shows.  
 (D) Its wise utilization of contemporary cultural asset.

# 測驗式試題標準答案

考試名稱：107年公務人員特種考試司法人員、法務部調查局調查人員、國家安全局國家安全情報人員、海岸巡防人員及移民行政人員考試

類科名稱：資訊科學組、調查工作組(選試法文)、法律實務組、調查工作組(選試英文)、調查工作組(選試韓文)、化學鑑識組、醫學鑑識組、調查工作組(選試西班牙文)、營繕工程組、調查工作組(選試阿拉伯文)、調查工作組(選試德文)、財經實務組、電子科學組、數理組(選試英文)、電子組(選試英文)、情報組(選試英文)、國際組(選試韓文)、政經組(選試德文)、政經組(選試日文)、國際組(選試英文)、資訊組(選試英文)、國際組(選試日文)、國際組(選試法文)、政經組(選試英文)、情報組(選試日文)

科目名稱：綜合法政知識與英文(包括中華民國憲法、法學緒論、兩岸關係、英文)(試題代號：3401)

單選題數：50題

單選每題配分：2.00分

複選題數：

複選每題配分：

標準答案：

更多國安考試科目的歷屆題庫  
立即上網搜尋“國安考試歷屆考古題”  
高鋒公職補習班整理  
Line@帳號：@gaofeng  
連絡電話：07-236-7296

題號	第1題	第2題	第3題	第4題	第5題	第6題	第7題	第8題	第9題	第10題
答案	A	A	A	C	C	D	B	C	B	A

題號	第11題	第12題	第13題	第14題	第15題	第16題	第17題	第18題	第19題	第20題
答案	B	B	D	A	B	C	D	C	B	A

題號	第21題	第22題	第23題	第24題	第25題	第26題	第27題	第28題	第29題	第30題
答案	B	B	B	A	C	A	D	C	A	C

題號	第31題	第32題	第33題	第34題	第35題	第36題	第37題	第38題	第39題	第40題
答案	A	A	C	C	D	B	B	B	D	B

題號	第41題	第42題	第43題	第44題	第45題	第46題	第47題	第48題	第49題	第50題
答案	C	B	A	C	A	A	B	D	D	C

題號	第51題	第52題	第53題	第54題	第55題	第56題	第57題	第58題	第59題	第60題
答案										

題號	第61題	第62題	第63題	第64題	第65題	第66題	第67題	第68題	第69題	第70題
答案										

題號	第71題	第72題	第73題	第74題	第75題	第76題	第77題	第78題	第79題	第80題
答案										

題號	第81題	第82題	第83題	第84題	第85題	第86題	第87題	第88題	第89題	第90題
答案										

題號	第91題	第92題	第93題	第94題	第95題	第96題	第97題	第98題	第99題	第100題
答案										

備註：

# 107年公務人員特種考試司法人員、法務部 調查局調查人員、國家安全局國家安全情報 人員、海岸巡防人員及移民行政人員考試試題

考試別：國家安全情報人員  
等 別：三等考試  
類科組：資訊組  
科 目：網路應用與安全  
考試時間：2小時

更多國安考試科目的歷屆題庫  
立即上網搜尋“國安考試歷屆考古題”  
高鋒公職補習班整理  
Line@帳號：@gaofeng  
連絡電話：07-236-7296

座號：\_\_\_\_\_

※注意：(一)禁止使用電子計算器。

(二)不必抄題，作答時請將試題題號及答案依照順序寫在試卷上，於本試題上作答者，不予計分。

(三)本科目得以本國文字或英文作答。

- 一、身分認證有三個主要認證因素 (Authentication Factor) 作為認證的方法。說明：
  - (一)此三種主要認證因素為何？(6分)
  - (二)舉出此三種主要認證因素之使用實例。(6分)
  - (三)何謂強身分認證 (Strong Authentication)？(8分)
  
- 二、網路位址轉換 (Network Address Translation, NAT) 是把私有 IP (Private IP) 對應到路由器的公共 IP (Public IP)，此種技術可以解決 IP 不足的問題。說明：
  - (一)從網路安全角度，闡述 NAT 的好處。(10分)
  - (二)列舉在 RFC 1918 定義下的私有 IP 的範圍。(10分)
  
- 三、入侵偵測系統 (Intrusion Detection System, IDS) 就其資料收集來源而言，可分成主機型入侵偵測系統 (Host-Based Intrusion Detection System, HIDS) 和網路型入侵偵測系統 (Network-Based Intrusion Detection System, NIDS)。說明：
  - (一)分別就 HIDS 與 NIDS 而言，它們會安裝何處，並比較其優缺點。(12分)
  - (二)分別就 HIDS 與 NIDS 而言，它們是依據何種資訊做為監控與偵測的基礎？(3分)
  - (三)若 IDS 偵測到有入侵行為時，闡述 IDS 可能會做什麼回應動作 (Response)？(5分)
  
- 四、密碼系統 (Cryptosystem) 是目前最廣為使用的安全保護技術。說明：
  - (一)密碼系統之用途為何(也就是說，它可以提供那些安全的服務功能)？(5分)
  - (二)密碼系統之組成主要元件 (Component) 為何？(5分)
  - (三)比較對稱式密碼系統 (Symmetric Cryptosystem) 和非對稱式密碼系統 (Asymmetric Cryptosystem) 的優缺點，並各舉一個常用的演算法。(10分)

五、勒索軟體 (Ransomware) 是一種惡意軟體可控制你的系統或資料成為了「人質」，並強迫受害者去支付贖金後，才可以再次使用已被綁架的系統或資料。勒索軟體可分成兩種：加密型勒索軟體與限制系統運作的勒索軟體。說明：

- (一) 闡述勒索軟體的可能傳播途徑。(10分)
- (二) 如何避免成為勒索病毒的受害者？(10分)

代號：41250  
61050  
頁次：2-1

# 107年公務人員特種考試司法人員、法務部 調查局調查人員、國家安全局國家安全情報 人員、海岸巡防人員及移民行政人員考試試題

考試別：調查人員、國家安全情報人員

等別：三等考試

類科組：資訊科學組、資訊組

科目：資料庫應用

考試時間：2小時

更多國安考試科目的歷屆題庫  
立即上網搜尋“國安考試歷屆考古題”  
高鋒公職補習班整理  
Line@帳號：@gaofeng  
連絡電話：07-236-7296

座號：\_\_\_\_\_

※注意：(一)禁止使用電子計算器。

(二)不必抄題，作答時請將試題題號及答案依照順序寫在試卷上，於本試題上作答者，不予計分。

(三)本科目除專門名詞或數理公式外，應使用本國文字作答。

- 一、在大數據 (Big Data) 時代，NoSQL 資料庫已經是最常被使用的資料儲存解決方案，而在各種 NoSQL 資料庫中，文件式資料庫 (Document-oriented Database) 及鍵值式資料庫 (Key-Value-oriented Database) 為目前最常被使用的資料庫：
- (一)試說明文件式資料庫及鍵值式資料庫的資料儲存特性。(16分)
- (二)若某一傳統關聯式資料庫有以下員工資料表，試說明文件式資料庫儲存此資料表的情形。(7分)

員工編號	員工姓名	性別	專長
001	林大明	男	網路、資料庫
021	張小可	女	網路、多媒體
031	許中天	男	資料庫

- (三)試說明鍵值式資料庫儲存上述資料表的情形。(7分)

- 二、資料庫從傳統關聯式 (Relational) 持續進展至最近的 NoSQL 及 NewSQL 等新一代資料庫，試說明此三種資料庫的特性，並針對每一種資料庫列舉三個實例。(25分)
- 三、磁碟陣列 RAID 技術可用來提供容錯功能，以避免資料遺失，其做法可以分成很多種等級，試描述這些不同等級 RAID 的特性及優缺點。(20分)



四、某企業計畫開發一套資料庫應用系統，其需求如下所述：

1. 需儲存供應其貨品的供應商相關資料，包含有供應商編號、名稱、地址、聯繫人姓名及電話號碼。
2. 對於每次貨品供應，需建立一個帳單以儲存此次供應的日期、金額、付款期限以及有關說明。
3. 每筆帳單的付款，可以在不同的時間以不同的方式支付（例如：現金、支票、信用卡），並記錄每次付款的日期及方式。
4. 每個供應商可以多次供應貨品，唯每日最多只能供貨一次。

(一) 試針對上述需求，描繪出實體關係圖。（15分）

(二) 試依據實體關係圖，設計出此系統的资料表。（10分）

代號：41120  
61020  
61120  
頁次：4-1

# 107年公務人員特種考試司法人員、法務部 調查局調查人員、國家安全局國家安全情報 人員、海岸巡防人員及移民行政人員考試試題

考試別：調查人員、國家安全情報人員

等別：三等考試

類科組：調查人員電子科學組、國家安全情報人員資訊組、電子組

科目：計算機概論

考試時間：2小時

座號：\_\_\_\_\_

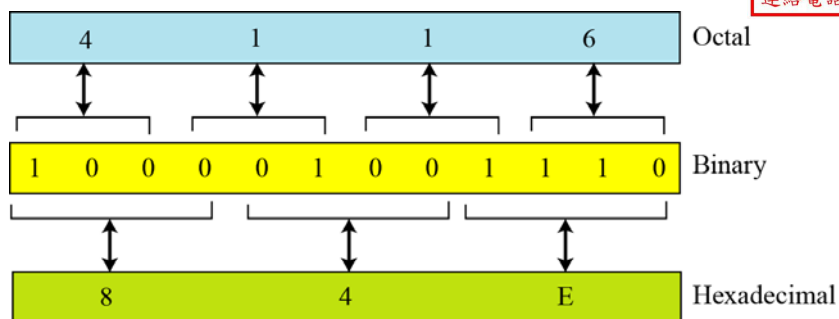
※注意：(一)禁止使用電子計算器。

(二)不必抄題，作答時請將試題題號及答案依照順序寫在試卷上，於本試題上作答者，不予計分。

(三)本科目得以本國文字或英文作答。

更多國安考試科目的歷屆題庫  
立即上網搜尋“國安考試歷屆考古題”  
高鋒公職補習班整理  
Line@帳號：@gaofeng  
連絡電話：07-236-7296

一、下圖是一個 Octal to hexadecimal 轉換的示意圖。



(一)請問 Octal 意義為何？(5分)

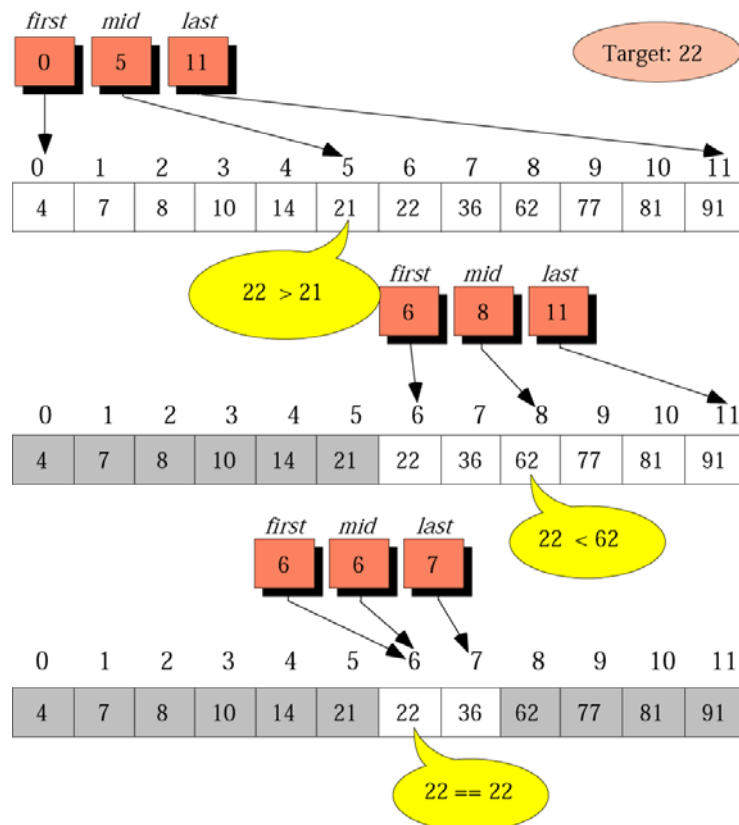
(二)請問 Hexadecimal 意義為何？(5分)

(三)此例中 Octal 中的 4116，換算成十進位，其值為何？(5分)

(四)此例如果將 Octal 中的 4116 改為 6114，請問 Hexadecimal 中的 84E，會改為何值？(5分)

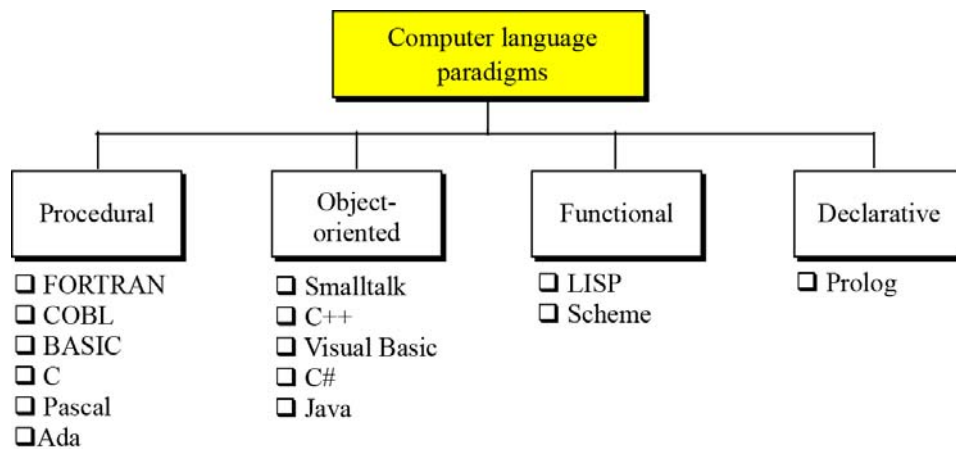
(五)此例如果將 Octal 中的 4116 改為含有小數的 411.6，請問 Hexadecimal 中的 84E，會改為何值？(5分)

二、下圖是二元搜尋法 (binary search) 的一個示意圖。此例乃在一已排序的陣列  $A[0:11]$  中，找尋一個值為  $\text{Target}=22$  的元素的位置。一開始先令  $\text{first} \leftarrow 0$ ， $\text{last} \leftarrow 11$ 。



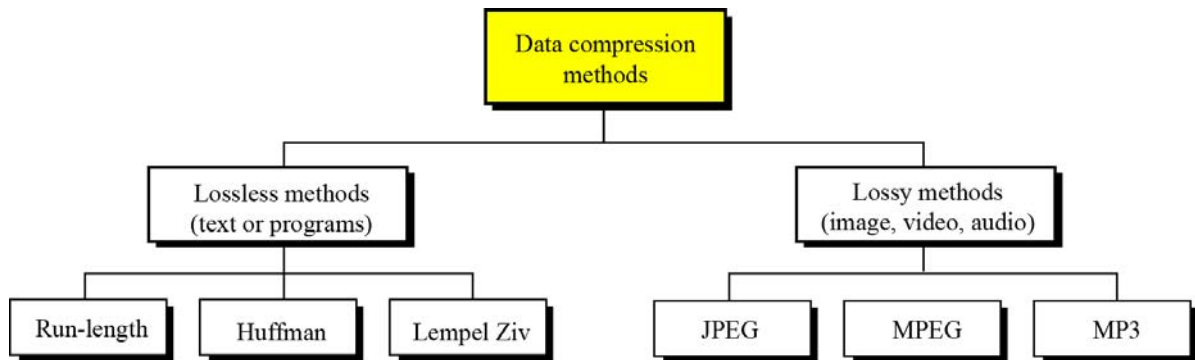
- (一)此例第一回合  $\text{mid}$  設定值為 5，請問求出 5 這個位置的公式為何 (請列出用  $\text{first}$  及  $\text{last}$  來計算的公式)？(5 分)
- (二)此例剛好用了三個回合就找到了  $\text{Target}=22$ ，其位置在  $A[6]$ 。請列出其他也剛好會用了三個回合就找到了的所有  $\text{Target}$  值。(5 分)
- (三)請列出剛好會用了兩個回合就找到了的所有  $\text{Target}$  值。(5 分)
- (四)請問此二元搜尋法一個回合一個回合執行下去，碰到什麼條件才結束？(5 分)
- (五)此例如果陣列  $A[0:11]$  中 12 個元素每個元素被尋找的機率都一樣，請問每個元素平均會用了幾個回合就找到了？(5 分)

三、程式語言一般分為 4 大類，如下圖所示。



- (一) C 程式語言歸類為 "procedural language"，何謂 "procedural language"？  
(5 分)
- (二) C++ 程式語言歸類為 "object-oriented language"，何謂 "object-oriented language"？  
(5 分)
- (三) LISP 程式語言歸類為 "functional language"，何謂 "functional language"？  
(5 分)
- (四) Prolog 程式語言歸類為 "declarative language"，何謂 "declarative language"？  
(5 分)
- (五) 上圖中所有的程式語言均屬於高階語言，另有一種稱為低階語言。請說明高階語言和低階語言的差別。  
(5 分)

四、下圖是資料壓縮分類示意圖。



- (一)請說明 lossless methods 和 lossy methods 的差別。(5分)
- (二)為什麼 text 或 programs 通常都使用 lossless methods 而不使用 lossy methods?(5分)
- (三)下圖是某種資料壓縮法的示意圖，請問它是屬於 Run-length、Huffman、Lempel Ziv、JPEG、MPEG、MP3 這6種中的那一種?(5分)

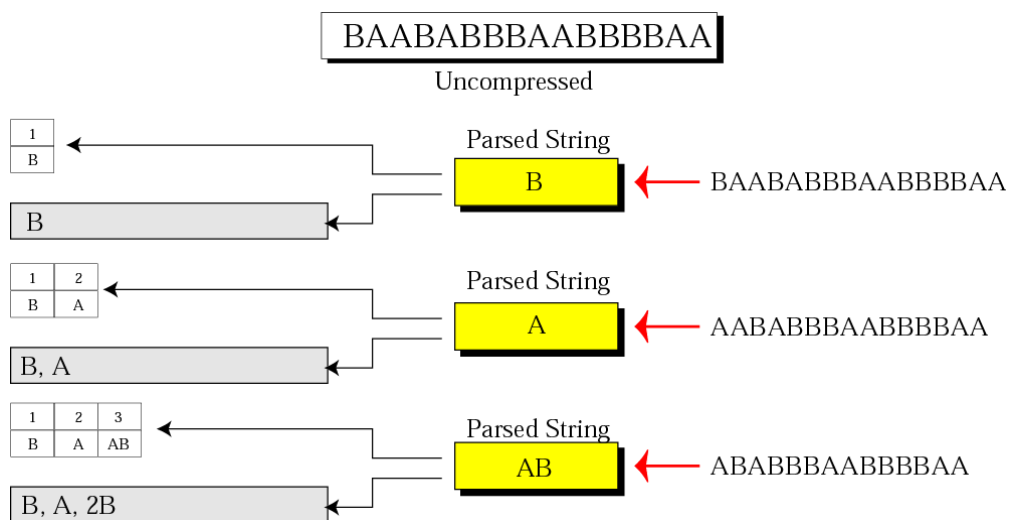
BBBBBBBBBBAAAAAAAAAAAAAAAAAANMMMMMMMMMM

a. Original Data

B09A16N01M10

b. Compressed Data

- (四)下圖是某種資料壓縮法前幾個步驟的示意圖，請問它是屬於 Run-length、Huffman、Lempel Ziv、JPEG、MPEG、MP3 這6種中的那一種?(5分)



- (五)前一小題的方法屬於 dictionary-based encoding 的方法，從前一小題的圖中如何得知它是屬於 dictionary-based encoding?(5分)

106年公務人員特種考試司法人員、法務部  
調查局調查人員、國家安全局國家安全情報  
人員、海岸巡防人員及移民行政人員考試試題

10110-11310

40110-41010

代號：60110-60910

70110-70210

90110-91110

全一張  
(正面)

考試別：司法人員、調查人員、國家安全情報人員、海岸巡防人員、移民行政人員

等別：三等考試

類科組：各類科組

科目：國文（作文、公文與測驗）

考試時間：2小時

座號：\_\_\_\_\_

更多國安考試科目的歷屆題庫  
立即上網搜尋“國安考試歷屆考古題”  
高鋒公職補習班整理  
Line@帳號：@gaofeng  
連絡電話：07-236-7296

※注意：禁止使用電子計算器。

甲、作文與公文部分：

(一)請以藍、黑色鋼筆或原子筆在申論試卷上由左至右橫式作答，於本試題上作答者，不予計分。

(二)不得於試卷上書寫姓名或入場證號。

一、作文：(60分)

閱讀好書，常可享受不少樂趣，或思想得到啟迪，有心領神會之樂；或眼界得以開展，有耳目一新之樂；或情緒獲得紓解，有怡情悅性之樂；或知能因而增益，有學藝精進之樂。請以「閱讀好書的樂趣」為題，作文一篇，加以論述。

二、公文：(20分)

國立故宮博物院展覽歷代文物和藝術精品，琳瑯滿目，美不勝收。近年來，更精選其典藏，結合數位科技，而為更創新靈動之展出，對於藝術精神的體現，人文素養的提升，實具積極意義。試擬臺北市政府教育局致臺北市各高級中學、國民中學函，要求各校每學年由教師帶領學生前往參觀，以增進青年學子之藝術涵養，藉收潛移默化之效。請擬此函。

乙、測驗部分：(20分)

代號：1101

(一)本測驗試題為單一選擇題，請選出一個正確或最適當的答案，複選作答者，該題不予計分。

(二)共10題，每題2分，須用2B鉛筆在試卡上依題號清楚劃記，於本試題或申論試卷上作答者，不予計分。

1. 下列各組「」內的字意義相同的是：

(A)離宮別館，「彌」山跨谷／弄璋之喜，「彌」月宴客

(B)凡事豫則立，不「豫」則廢／夫子若有不「豫」色然

(C)不立異以為高，不「逆」情以干譽／夫天地者，萬物之「逆」旅

(D)風中殘燭，日「薄」西山／既無伯叔，終鮮兄弟，門衰祚「薄」，晚有兒息

2. 孟子曰：「有大人之事，有小人之事。且一人之身，而百工之所為備。如必自為而後用之，是率天下而路也。故曰：或勞心，或勞力；勞心者治人，勞力者治於人；治於人者食人，治人者食於人；天下之通義也。」（《孟子·滕文公上》）下列選項何者不符本文意旨？

(A)社會階層分工，人民各居其職，是國家運作的合理制度

(B)在上位者，當凡事親力親為，不假手他人，為天下表率

(C)官吏治理人民，勞心費神，是大人之事，宜為人民所供養

(D)奉獻勞力者，受人統治，要供養別人，是社會分工的表現

3. 陶淵明〈歸去來辭〉：「歸去來兮，請息交以絕遊。世與我而相違，復駕言兮焉求？悅親戚之情話，樂琴書以消憂。農人告余以春及，將有事於西疇。」本文旨意為：

(A)宣示遠離塵俗回歸田園自然

(B)提醒別人從此不再跟他往來

(C)昭告天下從此隱逸與世隔絕

(D)思考農人為何甘於平淡生活

4. 「樂羊為魏將，以攻中山。其子在中山。中山懸其子示樂羊，樂羊不為衰志，攻之愈急。中山因烹其子而遺之，樂羊食之盡一杯。中山見其誠也，不忍與其戰，果下之，遂為魏文侯開地。文侯賞其功而疑其心。」文侯之所以「賞其功而疑其心」，是因為樂羊：

(A)功高震主

(B)人而不仁

(C)好勇鬥狠

(D)貪名逐利

(請接背面)



106年公務人員特種考試司法人員、法務部  
調查局調查人員、國家安全局國家安全情報  
人員、海岸巡防人員及移民行政人員考試試題

10110-11310

40110-41010

代號：60110-60910

70110-70210

90110-91110

全一張  
(背面)

考試別：司法人員、調查人員、國家安全情報人員、海岸巡防人員、移民行政人員

等別：三等考試

類科組：各類科組

科目：國文（作文、公文與測驗）

5. 「海上之人有好漚鳥者，每旦之海上，從漚鳥游，漚鳥之至者百住而不止。其父曰：『吾聞漚鳥皆從汝游，汝取來，吾玩之。』明日之海上，漚鳥舞而不下也。故曰：至言去言，至為無為。齊智之所知，則淺矣。」（《列子·黃帝》）關於此文意涵，下列敘述何者正確？  
(A)漚鳥之特性，不喜與不熟識之人接近  
(B)漚鳥因為察覺人的機心而不願飛下來  
(C)人與動物之間本有隔閡，應順時隨緣，不必強求  
(D)其父欲與漚鳥接近，應先學習「至言去言」的策略
6. 「學未至圓通，合己見則是，違己見則非。如以南方之舟，笑北方之車；以鶴脰之長，憎鳧脰之短也。夫不責己之有見，而責人之異見，豈不悖哉！」（袁宗道〈答友人〉）下列選項最接近本文意旨的是：  
(A)反對圓通 (B)反對偏狹 (C)反對異見 (D)反對責己
7. 「東坡的〈水調歌頭〉是中秋月夜醉飲的放懷之作……中秋夜晚，痛飲大醉，人生感悟，悲歡離合，說的是子由，也更是寫天下眾生的心境。從一己私情擴大，有普世的共鳴，『但願人長久，千里共嬋娟』，映照出生命的大願望。文句如此淺白世俗，但是，願深意重，可以完全不避俗世言語。」作者認為〈水調歌頭〉的經典之處在於：  
(A)體悟景物依舊，人事已非  
(B)東坡解脫了愛憎喜怒，放下分別好壞的執著  
(C)頓悟世間無非悲苦，一切事物生滅皆有定法  
(D)深知人生的悲歡離合，又能回到庶民俗世的謙卑
8. 王維〈終南別業〉：「行到水窮處，坐看雲起時；偶然值林叟，談笑無還期。」其心境與下列選項何者最接近？  
(A)莫聽穿林打葉聲，何妨吟嘯且徐行 (B)無邊落木蕭蕭下，不盡長江滾滾來  
(C)身無彩鳳雙飛翼，心有靈犀一點通 (D)同是天涯淪落人，相逢何必曾相識
9. 「甯武子『邦無道則愚』，智而為愚者也；顏子『終日不違如愚』，睿而為愚者也。皆不得為真愚。今余遭有道，而違於理，悖於事，故凡為愚者莫我若也。夫然，則天下莫能爭是溪，余得專而名焉。」（柳宗元〈愚溪詩序〉）根據上文，下列選項敘述正確的是：  
(A)甯武子「邦無道則愚」，是指甯武子仿效伯夷叔齊兄弟二人隱居避禍、明哲保身，所以「不得為真愚」  
(B)顏回「終日不違如愚」，是因堅守一簞食、一瓢飲，不為利誘，以顯其情操之高貴，故「不得為真愚」  
(C)「天下莫能爭是溪，余得專而名焉」，蘊含柳宗元遭受貶謫以後挫折的心理表露，委婉的以愚溪之命名來自況  
(D)柳宗元強調「真愚」，是因為「遭有道，而違於理，悖於事」，自嘲自己識人未明，受有道之士非難排擠所致
10. 錢穆〈中國歷史上的道德精神〉曰：「人類社會，常有兩種行為相對立：一為自動性的『感』一為被動性的『應』，人生要常能自動地感，不要盡是被動的應。小孩子打架，說他先罵了我，我纔罵他；他先打我，我再打他，好像這是理該的。如此引伸，他今天偷了你東西，難道你也該偷他東西嗎？如此做人，一切權都操在別人手裡。要你罵人，要你做賊，都可以。可見人生真理，不能說人家怎樣做，我便怎樣『應』！必須自己開始發心去『感』。」「道德在我身上，在我心裡，不能說道德在環境中。我們需憑道德精神來創造環境，不該由環境來排佈生命，決定人格。道德就是我們的生命，就是我們的人格。」下列選項不符合錢穆觀點的是：  
(A)為仁由己，而由人乎哉  
(B)以牙還牙，以眼還眼。一飯之德必償，睚眦之怨必報  
(C)志意修則驕富貴，道義重則輕王公；內省而外物輕矣  
(D)心之官則思，思則得之，不思則不得也。先立乎其大者，則其小者弗能奪也



# 測驗式試題標準答案

考試名稱：106年公務人員特種考試司法人員、法務部調查局調查人員、國家安全局國家安全情報人員、海岸巡防人員及移民行政人員考試

類科名稱：

檢察事務官營繕工程組、監獄官(男)、觀護人(選試社會工作概論)、繼續人員、檢察事務官偵查實務組、檢察事務官財經實務組、行政執行官、觀護人(選試少年事件處理法)、監獄官(女)、法院書記官、司法事務官法律事務組、家事調查官、檢察事務官電子資訊組、醫學繼續組、資訊科學組、電子科學組、化學繼續組、營繕工程組、財經實務組、法律實務組、調查工作組(選試英文)、調查工作組(選試西班牙文)、調查工作組(選試日文)、國際組(選試西班牙文)、資訊組(選試英文)、數理組(選試英文)、政經組(選試日文)、情報組(選試日文)、政經組(選試英文)、情報組(選試英文)、國際組(選試英文)、電子組(選試英文)、海洋巡邏科輪機組、海巡行政、移民行政(選試葡萄牙文)、移民行政(選試印尼文)、移民行政(選試日文)、移民行政(選試越南文)、移民行政(選試西班牙文)、移民行政(選試俄文)、移民行政(選試泰文)、移民行政(選試法文)、移民行政(選試德文)、移民行政(選試英文)

科目名稱：

國文(作文、公文與測驗)(試題代號：1101)

單選題數：10題

單選每題配分：2.00分

複選題數：

複選每題配分：

標準答案：

更多國安考試科目的歷屆題庫  
 立即上網搜尋“國安考試歷屆考古題”  
 高鋒公職補習班整理  
 Line@帳號：@gaofeng  
 連絡電話：07-236-7296

題號	第1題	第2題	第3題	第4題	第5題	第6題	第7題	第8題	第9題	第10題
答案	A	B	A	B	B	B	D	A	C	B

題號	第11題	第12題	第13題	第14題	第15題	第16題	第17題	第18題	第19題	第20題
答案										

題號	第21題	第22題	第23題	第24題	第25題	第26題	第27題	第28題	第29題	第30題
答案										

題號	第31題	第32題	第33題	第34題	第35題	第36題	第37題	第38題	第39題	第40題
答案										

題號	第41題	第42題	第43題	第44題	第45題	第46題	第47題	第48題	第49題	第50題
答案										

題號	第51題	第52題	第53題	第54題	第55題	第56題	第57題	第58題	第59題	第60題
答案										

題號	第61題	第62題	第63題	第64題	第65題	第66題	第67題	第68題	第69題	第70題
答案										

題號	第71題	第72題	第73題	第74題	第75題	第76題	第77題	第78題	第79題	第80題
答案										

題號	第81題	第82題	第83題	第84題	第85題	第86題	第87題	第88題	第89題	第90題
答案										

題號	第91題	第92題	第93題	第94題	第95題	第96題	第97題	第98題	第99題	第100題
答案										

備註：

代號：40140、60140  
60340、60540  
60740—60940  
頁次：4-1

# 106年公務人員特種考試司法人員、法務部 調查局調查人員、國家安全局國家安全情報 人員、海岸巡防人員及移民行政人員考試試題

考試別：調查人員、國家安全情報人員

等別：三等考試

類科組：調查工作組（選試英文）、各組別（選試英文）

科目：外國文（英文）

考試時間：2小時

※注意：禁止使用電子計算器。

甲、申論題部分：（50分）

- (一)不必抄題，作答時請將試題題號及答案依照順序寫在申論試卷上，於本試題上作答者，不予計分。  
(二)請以藍、黑色鋼筆或原子筆在申論試卷上作答。

一、英譯中：（15分）

The Japanese government estimates that the market for service robots will be up to US \$10 billion within a decade. With robots' adult appearances and reactions, they may also find work in the home, possibly as rehabilitation robots, offering care and support for Japan's growing elderly population.

二、中譯英：（15分）

喝咖啡是我和全世界數百萬人早上共同的習慣。像我這樣早起的人會喝著熱騰騰的咖啡、聽著鳥兒在日出時的婉轉鳴叫。毫無疑問地，像我這樣的人需要喝咖啡的嚴重程度已讓咖啡成為全球最重要的商品之一。

三、英文作文：（20分）

Imagine that you are the owner of a hotel. Please use 150 – 200 words to describe the new ideas you would use to promote your business. Be sure to support your ideas with sufficient details.

乙、測驗題部分：（50分）

代號：4401

- (一)本測驗試題為單一選擇題，請選出一個正確或最適當的答案，複選作答者，該題不予計分。  
(二)共40題，每題1.25分，須用2B鉛筆在試卡上依題號清楚劃記，於本試題或申論試卷上作答者，不予計分。

- Through dark and filthy water, the last \_\_\_\_\_ remnant of Hurricane Ike, search-and-rescue teams continued combing Galveston Island and other coastal communities hit hardest by an overwhelming storm surge.  
(A) tactile (B) eligible (C) susceptible (D) tangible
- UCLA's Alcohol Research Center issued a statement reaffirming their commitment to \_\_\_\_\_ as the only viable treatment for alcoholism. They explained that the alternative moderation strategy, such as Controlled Drinking, has a long history of failure.  
(A) abstinence (B) prominence (C) eminence (D) impertinence
- Ryun, saying he was fouled, was stunned when officials refused to \_\_\_\_\_ him. But he said a newfound religious faith helped him accept the ruling.  
(A) annotate (B) delegate (C) reinstate (D) abdicate
- As the pizza was baked in the oven, the scent of cheese and tomato sauce \_\_\_\_\_ the kitchen.  
(A) cultivated (B) distributed (C) permeated (D) radiated
- New guidelines \_\_\_\_\_ by China's top media regulator have prohibited TV shows that promote "Western lifestyles," adding to a long list of banned items.  
(A) declined (B) excluded (C) issued (D) moaned

更多國安考試科目的歷屆題庫  
立即上網搜尋“國安考試歷屆考古題”  
高鋒公職補習班整理  
Line@帳號：@gaofeng  
連絡電話：07-236-7296

座號：\_\_\_\_\_

- 6 Be careful when you buy clothing at the night market. If it doesn't fit, your money will not be \_\_\_\_\_. Buyers beware.  
(A) concluded (B) penalized (C) registered (D) reimbursed
- 7 Joe was \_\_\_\_\_ about not receiving an A on her term paper for the economics class.  
(A) intensive (B) euphoric (C) disgruntled (D) legitimate
- 8 Justine was totally in love with Michael even though she had never met him. She went to his NBA games just hoping to catch a \_\_\_\_\_ of him on the court.  
(A) sketch (B) glimpse (C) position (D) tirade
- 9 Coming from a poor family, Paul \_\_\_\_\_ many financial problems in order to finish his college education.  
(A) endured (B) enlarged (C) enhanced (D) enlisted
- 10 Wheel \_\_\_\_\_ can help your tires perform properly and keep your vehicle from pulling in one direction on the road.  
(A) alignment (B) enlightenment (C) arrangement (D) enrollment
- 11 \_\_\_\_\_ pressure can lead to stress, and this in turn can result in bad performance at work.  
(A) Progressive (B) Regressive (C) Successive (D) Excessive
- 12 It is highly suggested that a company should \_\_\_\_\_ positive attitudes, build good working relationships and promote healthy lifestyles.  
(A) encourage (B) involve (C) exploit (D) excel
- 13 The entrepreneur was afraid that worries about his health might \_\_\_\_\_ the business problems he was facing.  
(A) transact (B) appreciate (C) aggravate (D) translate
- 14 One difference among the world's seas and oceans is that the \_\_\_\_\_ of water varies in different climate zones.  
(A) creation (B) humidity (C) rotation (D) salinity
- 15 Today, more grandparents are involved in their grandchildren's \_\_\_\_\_, from fixing breakfast to picking up kids at school.  
(A) uprising (B) upbringing (C) upswing (D) upstanding
- 16 Assessment for learning owes a good deal to the formative testing of the 1960s, but also \_\_\_\_\_ from it in important ways.  
(A) differs (B) confers (C) infers (D) refers
- 17 The contents of the textbook we use in the computer science are so \_\_\_\_\_ that I feel sleepy every time I finish reading a chapter.  
(A) tribal (B) toxic (C) thorny (D) tedious
- 18 To \_\_\_\_\_ a dangerous encounter with an alligator, wildlife experts said people must never feed them.  
(A) adjust (B) attain (C) avoid (D) aware
- 19 Chinese bronze ware and jade implements were products of \_\_\_\_\_-intensive beauty. One single product might need a hundred artists to complete.  
(A) capital (B) labor (C) memory (D) research
- 20 The traditional airline marketplace has been \_\_\_\_\_ dramatically by e-commerce because an increasing number of travelers have switched to using internet-based services to manage their travel life cycles.  
(A) established (B) maintained (C) promoted (D) transformed

請依下文回答第 21 題至第 24 題：

It is true that we have the freedom to do whatever we want. However, exercise of this kind of freedom can have negative 21. Any freedom which may be followed with problems is not true freedom. For instance, we have the freedom to 22 in the vibrant night life in a metropolis and spend tomorrow's money. 23, this kind of freedom is transient. Any freedom that does not last is not true freedom. The true freedom is enjoying peace, happiness, and a clear 24.

- 21 (A) consolation (B) consequences (C) coherences (D) consistency  
22 (A) overindulge (B) overrule (C) overextend (D) overload  
23 (A) In addition to (B) Unfortunately (C) Since then (D) For the beginning  
24 (A) pseudoscience (B) conscience (C) sequence (D) resistance

請依下文回答第 25 題至第 26 題：

Political conventions in America attract all kinds of people besides delegates. 25 wish to attract attention to their political and social causes demonstrate outside the convention halls. The pro-life people, the pro-choice people, the supporters of nuclear energy, the opponents of nuclear energy, and the pro-gays and anti-gays are probably the most common groups.

Another social-political group is the one 26 more civil rights and better economic opportunities for minorities. The other groups just like to poke fun at the candidates. For instance, at most conventions you will find at least a couple of people wearing masks of their favorite or least favorite candidates. No matter who they are or what their reasons are for going to the conventions, these people always add color to the sometimes boring conventions.

- 25 (A) Those groups who (B) Groups of whom (C) Groups with which (D) Some of the groups  
26 (A) charging (B) advocating (C) deposing (D) ravishing

請依下文回答第 27 題至第 29 題：

Young people are encouraged to travel outside their comfort zones. From afar, it's often easier to see our own privileges and responsibilities. They will realize that talent is 27, but opportunity is not. In fact, 28 has destabilized our own country and the world as a whole. Compassion shouldn't depend on the color of one's skin or 29. We can try to chip away at problems both here and abroad.

- 27 (A) sick (B) cheap (C) lost (D) universal  
28 (A) inequality (B) balance (C) harmony (D) honesty  
29 (A) passenger (B) passage (C) password (D) passport

- 30 The rise of microblogs has given prominent commentators a powerful and potentially lucrative platform.  
(A) Famous commentators regard microblogs an insignificant place for them to make sharp social criticism and extend social media reach.  
(B) Microblogs provide leading commentators with a platform where they can express powerful opinions and, possibly, make big money.  
(C) It is due to the rise of microblogs that some commentators get an opportunity to perform on stage.  
(D) The development of microblogs causes outstanding commentators to realize the significant roles they play on the platform.

請依下文回答第 31 題至第 35 題：

Some people may turn their noses up at natural remedies, but there is one in particular that is attracting the attention of the scientific and medical fields. Tea tree oil, derived mainly from the leaves of *Melaleuca alternifolia*, has become a popular commodity. As you may have noticed, it has become a popular ingredient in many shampoos, soaps, and cleaning products. But it is the tea tree's healing properties that have been sparking interest of late.

Although tea tree oil, or melaleuca oil, may strike you as a relatively new item on shelves, it has actually been used for thousands of years. *Melaleuca alternifolia* is a native to New South Wales, Australia, where the aboriginal people used the crushed leaves of the tree to treat cuts and burns. In the 18th century, Captain Cook saw native Australians making tea with the leaves and came up with the name "tea tree." In the 1920s, Australian doctors discovered that the oil of the tea tree was an effective antiseptic. It soon became a household remedy, and during WWII, all Australian soldiers were issued tea tree oil in their first-aid kits.

Following the war, the substance fell out of favor as new medical discoveries were made. However, since the 1980s, interest in tea tree's properties has grown again. New studies suggest tea tree oil might effectively treat acne, bacterial and fungal infection, dandruff and mites. If the research holds up, perhaps even more products will contain tea tree oil in the near future.

- 31 Who were the first people to start using tea tree oil?  
(A) Manufacturers who created first-aid kits. (B) Tribal people living in Australia.  
(C) Soldiers who were fighting in World War II. (D) A captain who was traveling through Australia.
- 32 Which of the following products would probably **NOT** contain tea tree oil?  
(A) A bottle of cream that treats wounds. (B) A cleaning spray that removes dirt.  
(C) A medicine that makes trees grow taller. (D) A gel that fights against certain skin problems.

- 33 What does the passage say about tea tree oil?  
(A) It will definitely not be featured in more products.  
(B) It probably does not have any benefits.  
(C) It could become a standard supply for soldiers again.  
(D) It might become a key ingredient in additional products.
- 34 What does the first paragraph suggest?  
(A) Natural ingredients do not make it to artificial products.  
(B) Some people do not like natural medicines.  
(C) People become interested in tea made with tea tree leaves.  
(D) Many household items are made for scientific and medical purposes.
- 35 What is the best title for this passage?  
(A) Artificial Remedies  
(B) A New Kind of Tea  
(C) The Power of Tea Tree Oil  
(D) The Journey of Captain Cook

請依下文回答第 36 題至第 40 題：

When Saray Cambray Alvarez, a 13-year-old in North Carolina, and several other teenagers get to the fields at 6, they pull a black plastic garbage bag over the body and punch holes through the bags for their arms. They are protecting their skin from leaves dripping with nicotine-tinged dew. This is because the plants' nicotine often dissolves in rain and dew, which can cause vomiting, dizziness and irregular heart rates, among other symptoms.

Saray sometimes has trouble breathing in the middle of all the heat, humidity and leaves, and often feels weary during her 12-hour shifts when she moves through the **rows** to pluck unwanted flowers or pull off oversize leaves for the harvest. Saray is not alone. *The New York Times* reports that in other states like Kentucky, Tennessee and Virginia, children as young as 7 are working on tobacco farms and many suffer from the symptoms of acute nicotine poisoning.

For years, public health experts and federal labor officials have sought to bar teenagers under 16 from the tobacco fields, citing the grueling hours and the harmful exposure to nicotine and other chemicals, but their efforts have been blocked. Three years ago, Hilda Solis, then the labor secretary, proposed declaring work in tobacco fields and with tractors hazardous—making that type of work illegal for those under 16.

During the re-election in 2012, the Obama administration withdrew Ms. Solis's proposal after encountering intense opposition from farm groups and Republican lawmakers. Agricultural organizations said the move would hurt family farms and make it harder for young people to learn farming skills. But some proponents still hope to revive the tobacco part of the proposal once the midterm elections in 2014 are over.

To proponents of higher age limits, however, dangers lurk in many corners. The tobacco fields pose a whole environment of risk. It's the nicotine, the pesticides, the heat, the long hours, the pressure they get from employers. Last year, a study conducted by Human Rights Watch found that three-quarters of young tobacco workers interviewed had suffered nausea, dizziness and rashes. And most tobacco farms did not even have portable bathrooms. "There's nothing good about this job, except that you get paid," said Esmeralda, who earns \$8.50 an hour.

- 36 What is this passage mainly about?  
(A) Child labors on tobacco farms.  
(B) Treatment of nicotine poisoning.  
(C) The threats to American tobacco industry.  
(D) Interplay between lawmakers and the tobacco companies.
- 37 Who proposed a ban on child labor in tobacco fields?  
(A) Hilda Solis  
(B) President Obama  
(C) Saray Cambray Alvarez  
(D) Republican lawmakers
- 38 What does the word **rows** in Paragraph 2 refer to?  
(A) seats  
(B) tobacco plants  
(C) nicotine dews  
(D) wild flowers
- 39 Which of the following is **NOT** a major tobacco-producing state?  
(A) Tennessee  
(B) Kentucky  
(C) New York  
(D) North Carolina
- 40 Why does Saray wear a black plastic garbage bag over the body?  
(A) To collect the tobacco leaves at work.  
(B) To keep warm in the cold early morning.  
(C) To observe the rules of the tobacco companies.  
(D) To keep away from the potential harm of nicotine.

# 測驗式試題標準答案

考試名稱：106年公務人員特種考試司法人員、法務部調查局調查人員、國家安全局國家安全情報人員、海岸巡防人員及移民行政人員考試

類科名稱：調查工作組(選試英文)、數理組(選試英文)、電子組(選試英文)、政經組(選試英文)、國際組(選試英文)、資訊組(選試英文)、情報組(選試英文)

科目名稱：外國文(英文)(試題代號：4401)

單選題數：40題

單選每題配分：1.25分

複選題數：

複選每題配分：

標準答案：

更多國安考試科目的歷屆題庫  
立即上網搜尋“國安考試歷屆考古題”  
高鋒公職補習班整理  
Line@帳號：@gaofeng  
連絡電話：07-236-7296

題號	第1題	第2題	第3題	第4題	第5題	第6題	第7題	第8題	第9題	第10題
答案	D	A	C	C	C	D	C	B	A	A

題號	第11題	第12題	第13題	第14題	第15題	第16題	第17題	第18題	第19題	第20題
答案	D	A	C	D	B	A	D	C	B	D

題號	第21題	第22題	第23題	第24題	第25題	第26題	第27題	第28題	第29題	第30題
答案	B	A	B	B	A	B	D	A	D	B

題號	第31題	第32題	第33題	第34題	第35題	第36題	第37題	第38題	第39題	第40題
答案	B	C	D	B	C	A	A	B	C	D

題號	第41題	第42題	第43題	第44題	第45題	第46題	第47題	第48題	第49題	第50題
答案										

題號	第51題	第52題	第53題	第54題	第55題	第56題	第57題	第58題	第59題	第60題
答案										

題號	第61題	第62題	第63題	第64題	第65題	第66題	第67題	第68題	第69題	第70題
答案										

題號	第71題	第72題	第73題	第74題	第75題	第76題	第77題	第78題	第79題	第80題
答案										

題號	第81題	第82題	第83題	第84題	第85題	第86題	第87題	第88題	第89題	第90題
答案										

題號	第91題	第92題	第93題	第94題	第95題	第96題	第97題	第98題	第99題	第100題
答案										

備註：



代號：2401  
頁次：4-1

# 106年公務人員特種考試司法人員、法務部 調查局調查人員、國家安全局國家安全情報 人員、海岸巡防人員及移民行政人員考試試題

考試別：調查人員、國家安全情報人員

等別：三等考試

類科組：各組別

科目：綜合法政知識與英文（包括中華民國憲法、法學緒論、兩岸關係、英文）

考試時間：1小時

更多國安考試科目的歷屆題庫  
立即上網搜尋“國安考試歷屆考古題”  
高鋒公職補習班整理  
Line@帳號：@gaofeng  
連絡電話：07-236-7296

座號：\_\_\_\_\_

※注意：(一)本試題為單一選擇題，請選出一個正確或最適當的答案，複選作答者，該題不予計分。

(二)本科目共 50 題，每題 2 分，須用 **2B** 鉛筆在試卡上依題號清楚劃記，於本試題上作答者，不予計分。

(三)禁止使用電子計算器。

- 下列何者屬憲法法庭審理之事件？  
(A)國家賠償事件 (B)內亂外患事件 (C)政黨違憲之解散事件 (D)違反國家安全事件
- 下列何者非隸屬於司法院？  
(A)司法官學院 (B)公務人員懲戒委員會 (C)臺灣高等法院臺南分院 (D)最高行政法院
- 有關立法院職權，下列敘述何者正確？  
(A)總統缺位時，由立法院補選  
(B)立法院於每年集會時，得聽取總統國情報告  
(C)總統或副總統彈劾案經立法院議決通過後，移請公務人員保障暨培訓委員會審理  
(D)憲法之修改，應經立法委員三分之一提議，四分之三出席，及出席委員四分之三決議，始得提出憲法修正案
- 依據憲法與公民投票法，全國性公民投票審議委員會之組織成員應如何產生？  
(A)由各政黨依立法院各黨團席次比例推薦，提請總統任命  
(B)由各政黨依立法院各黨團席次比例推薦，提請行政院院長任命  
(C)由行政院院長提名，經立法院同意，提請總統任命  
(D)由主管機關提請總統任命
- 依憲法增修條文規定，下列何種公職，人民得對其行使罷免權？  
(A)省主席 (B)監察委員 (C)總統 (D)全國不分區立法委員
- 人民就通訊之有無、對象、時間、方式及內容等事項，有不受國家及他人任意侵擾之權利，係受憲法保障人民何種權利？  
(A)言論自由 (B)居住遷徙自由 (C)秘密通訊自由 (D)集會遊行自由
- 憲法第 22 條對於人民權利之保障，係採下列何者方式？  
(A)列舉方式 (B)概括方式 (C)例外方式 (D)列舉兼具概括方式
- 下列何項權利不得以法律加以限制？  
(A)結社 (B)營業活動 (C)宗教活動 (D)思想
- 依公民投票法規定，下列何者無全國性公民投票之提案權？  
(A)總統經行政院院會決議通過提出 (B)監察院  
(C)立法院 (D)中華民國公民
- 依據司法院大法官相關解釋精神，下列敘述何者正確？  
(A)言論自由應受到最高程度之保障，因此不得限制言論自由  
(B)商品標示是提供商品客觀資訊方式，屬於商業性言論一種，也受到言論自由保障，法律不得限制之  
(C)示威遊行是搞政治的人的遊戲，會破壞社會秩序，與言論自由或表意自由皆無關  
(D)舉標語靜坐，是人民表達其言論的一種方式
- 關於刑法第 129 條第 1 項違法徵收罪之敘述，下列何者錯誤？  
(A)本罪限於行為人明知之情形  
(B)本罪所謂之租稅，包括中央或地方依據法令所徵收之一切稅捐  
(C)本罪所謂之其他人款，包括違反法令而受罰之款項  
(D)本罪之行為態樣，僅限於不應徵收而徵收之情形
- 依據全民健康保險法規定，下列何者錯誤？  
(A)全民健康保險之保險費、滯納金，並不優先於普通債權  
(B)保險對象應自行負擔門診或急診費用之百分之二十，居家照護醫療費用之百分之五  
(C)不經轉診，於地區醫院、區域醫院、醫學中心門診就醫者，應分別部分負擔百分之三十、百分之四十及百分之五十  
(D)保險對象應自行負擔之住院費用，如為急性病房，三十日以內，應自行負擔費用百分之十



- 13 A 公司為非公開發行公司，下列有關 A 公司買回自己股份之敘述，何者錯誤？  
(A)除法律另有規定外，A 公司不得將股份收買、收回或收為質物  
(B)A 公司依法持有自己發行之股份，該股份無表決權  
(C)A 公司為轉讓股份於員工而買回之股份，應於三年內轉讓，屆期未轉讓者，視為公司未發行之股份，應辦理變更章程  
(D)A 公司發行特別股得收回之，但不得損害該特別股股東依章程應有之權利
- 14 甲為某縣政府工務局人員，負責修繕某道路坑洞，由於延誤工程導致機車騎士乙摔倒受傷，關於廢弛職務釀成災害罪，下列敘述何者正確？  
(A)甲若過失不進行修補時，仍可成立本罪  
(B)本案僅乙一人受傷，尚不構成災害  
(C)本罪之成立無須確認是否存在因果關係  
(D)本罪之災害限於天然災害
- 15 關於懸賞廣告，下列敘述何項正確？  
(A)數人先後分別完成懸賞廣告所指定之行為時，由最先通知者取得報酬請求權  
(B)數人同時分別完成懸賞廣告所指定之行為時，由最先通知者取得報酬請求權  
(C)不知有廣告而完成廣告所定行為之人，不得取得報酬請求權  
(D)只要廣告人善意給付報酬於最先通知之人，其給付義務即消滅
- 16 甲於乙之 A 土地上設定地上權並營造 B 屋；丙於丁之 C 地上設定農育權並設育苗室。下列敘述何者錯誤？  
(A)甲之地上權與其 B 屋，不得分離而為讓與  
(B)甲得將 B 屋連同 A 地出租他人  
(C)丙之農育權與育苗室不得分離而為讓與  
(D)原則上，丙得將育苗室連同 C 地出租他人
- 17 依司法院大法官解釋，有關憲法第 16 條訴願及訴訟權保障規定，下列敘述何者錯誤？  
(A)律師懲戒覆審委員會之決議即屬法院之終審裁判，並非行政處分或訴願決定，不得再行提起行政爭訟  
(B)羈押法不許受羈押被告向法院提起訴訟請求救濟，與憲法保障人民訴訟權之意旨有違  
(C)審級制度不在憲法第 16 條訴訟權之保障範圍  
(D)關於寄存送達於依法送達完畢時，即生送達效力，侵害訴願及訴訟權
- 18 依司法院釋字第 419 號解釋，以「此項兼任如遇總統缺位或不能視事時，將影響憲法所規定繼任或代行職權之設計，與憲法設置副總統及行政院院長職位分由不同之人擔任之本旨未盡相符。」之理由，認為副總統不得兼任行政院院長。此係運用下列何種解釋方法所得出之結果？  
(A)文義解釋法  
(B)目的解釋法  
(C)歷史解釋法  
(D)體系解釋法
- 19 地方自治團體之民選首長或議員（代表）任期，依現行地方制度法規定，下列何項正確？  
(A)三年  
(B)四年  
(C)五年  
(D)六年
- 20 關於憲法敘述，下列何項錯誤？  
(A)憲法為人民權利之保障書  
(B)憲法為首要之法源  
(C)憲法疑義由立法院解釋  
(D)憲法效力高於法律
- 21 兩岸兩會（財團法人海峽交流基金會、海峽兩岸關係協會）為建立有效聯繫管道，雙方同意於 1993 年 4 月在新加坡舉行海基會董事長辜振甫與海協會會長汪道涵會談（辜汪會談），並簽署四項協議。下列那一項協議不屬於四項協議之一？  
(A)兩岸公證書使用查證協議  
(B)兩岸掛號函件查詢、補償事宜協議  
(C)兩岸人民親屬關係查證協議  
(D)兩岸聯繫與會談制度協議
- 22 李登輝總統在民國 88 年接受德國媒體專訪，主張在以下那一個事件之後，臺海兩岸已經是國家與國家或至少是特殊國與國的關係？  
(A)民國 80 年修憲之後  
(B)民國 85 年我國舉行首次直接民選總統之後  
(C)民國 76 年政府開放赴大陸探親之後  
(D)民國 82 年第一次「辜汪會談」之後
- 23 我國政府在那一位總統時期，根據「試辦金門馬祖與大陸地區通航實施辦法」，開始實施所謂的「小三通」？  
(A)蔣經國總統  
(B)李登輝總統  
(C)陳水扁總統  
(D)馬英九總統
- 24 下列何項主張是蔡英文總統的大陸政策？  
(A)與北京合作共同防衛南海主權  
(B)新情勢、新問卷、新模式的「三新主張」  
(C)無條件接受臺海兩岸在馬英九總統時期所簽的 23 項協議  
(D)接受「92 共識」
- 25 下列何項非美國對臺海兩岸關係之基本立場？  
(A)以臺灣關係法及美中三公報為政策依據  
(B)主張一個中國原則  
(C)反對臺海兩岸任何一方片面改變現狀  
(D)和平解決臺灣問題
- 26 臺海兩岸為遣返違反有關規定進入對方地區人民、刑事犯及嫌疑犯所簽訂的是何項協議？  
(A)金門協議  
(B)辜汪會談協議  
(C)香港協議  
(D)澳門協議
- 27 李登輝總統於民國 85 年提出「戒急用忍政策」，明確界定那三種投資應對中國大陸戒急用忍？  
(A)高科技、一千萬美元以上、金融業  
(B)高科技、五千萬美元以上、基礎建設  
(C)高科技、金融業、基礎建設  
(D)金融業、基礎建設、五百萬美元以上

- 28 2016 年 5 月 23 日世界衛生大會邀請函內文附加聯合國 2758 號決議文，中華人民共和國政府依據此決議取得原由中華民國政府擁有之聯合國「中國席位代表權」。該決議案通過之年份為：  
 (A)1969 年第 24 屆聯合國大會會議 (B)1970 年第 25 屆聯合國大會會議  
 (C)1971 年第 26 屆聯合國大會會議 (D)1972 年第 27 屆聯合國大會會議
- 29 兩岸關係政治論述一直是兩岸間重大歧異點與爭論議題，而大陸方面有關兩岸關係政治論述，也代表中共立場與政策。長期以來，大陸方面有關兩岸關係政治論述，有所謂「三段論」、「四段論」等立場或說法，其中足以代表中共官方正式說詞及立場者，便是 2005 年 3 月 14 日中共第 10 屆「人大」第三次會議通過並公布實施之「反分裂國家法」，有關兩岸政治關係論述為？  
 (A)世界上只有一個中國，臺灣是中國的一部分，中華人民共和國政府是代表全中國的唯一合法政府  
 (B)世界上只有一個中國，大陸和臺灣同屬一個中國，儘管兩岸尚未統一，大陸和臺灣同屬一個中國的事實並未改變  
 (C)世界上只有一個中國，大陸和臺灣同屬一個中國，中國的主權和領土完整不容分割  
 (D)世界上只有一個中國，臺灣是中國的一部分，目前尚未統一，中國的主權和領土是不可分割
- 30 依據臺灣地區與大陸地區人民關係條例第 57 條規定，父母一方為臺灣地區人民，一方為大陸地區人民，其與子女間之法律關係為何？  
 (A)依父親設籍地區之規定 (B)依母親設籍地區之規定  
 (C)依子女設籍地區之規定 (D)依父母親設籍地區之規定
- 31 Little Johnny had to redo his homework because his handwriting was so \_\_\_\_\_ that his teacher could hardly tell what he wrote on the homework he turned in yesterday.  
 (A) alternative (B) fraudulent (C) illegible (D) malicious
- 32 Helen's students didn't understand the message she was trying to \_\_\_\_\_ when she wrote down a big question mark on the white board.  
 (A) convey (B) distribute (C) proceed (D) reform
- 33 After explaining the basic diving skills to her students, the swimming instructor was ready to \_\_\_\_\_ herself how to dive into the water safely.  
 (A) demonstrate (B) interfere (C) negotiate (D) overcome
- 34 This company sells its market share at an extremely high price, maintaining formidable \_\_\_\_\_.  
 (A) protests (B) pricks (C) profits (D) pitfalls
- 35 Students who rent an off-campus apartment in Taiwan often have to pay their \_\_\_\_\_ bill to the landlord along with their monthly rent.  
 (A) utility (B) tuition (C) credit card (D) insurance
- 36 The social media website Twitter has announced major \_\_\_\_\_ to its service. It no longer counts website addresses as characters in tweets, so users have more space to share their thoughts.  
 (A) counterparts (B) disturbances (C) statues (D) updates
- 37 Many buildings constructed in the last few years have incorporated energy conservation \_\_\_\_\_ to reduce energy consumption.  
 (A) manuals (B) measures (C) missions (D) momentums
- 38 Leisure time helps people stay healthy and work more efficiently and \_\_\_\_\_.  
 (A) commercially (B) destructively (C) productively (D) restlessly
- 39 Christine has been \_\_\_\_\_ unreasonable giving everyone in the family a hard time ever since she was fired by her boss last week.  
 (A) considerably (B) horizontally (C) permissibly (D) ridiculously
- 40 In the past, people owned fewer things, used things longer, and much of their waste decomposed. But today, trash is made from materials that will still be \_\_\_\_\_ when we no longer are.  
 (A) diverse (B) fragile (C) intact (D) obscure

請依下文回答第 41 至 45 題：

By far some of the most prestigious centers of European learning today stand where they were founded eight hundred years ago: Oxford and Cambridge in England; the University of Paris in France; the University of Bologna in Italy. European universities developed in the late twelfth and early thirteenth centuries 41 the emergence of city life. Earlier medieval schools were most often 42 the monasteries, which were perforce situated in rural areas. As cities grew in importance, schools also developed at urban monasteries or under the 43 of bishops whose cathedrals were in the towns. The cathedral school was a direct 44 of the increasing importance of towns and the increasing power of bishops, the spiritual leaders of town life. In Italy, town life had been relatively strong throughout the early Middle Ages, so there was a tradition of schools which were controlled by the common people. The center of medical studies in Salerno and the law faculty of Bologna had been in 45 hands since the tenth century.

- |    |                    |                     |                     |                 |
|----|--------------------|---------------------|---------------------|-----------------|
| 41 | (A) with regard to | (B) in spite of     | (C) except for      | (D) along with  |
| 42 | (A) accustomed to  | (B) associated with | (C) consistent with | (D) entitled to |
| 43 | (A) escort         | (B) aegis           | (C) tremor          | (D) sway        |
| 44 | (A) offshoot       | (B) initiative      | (C) catastrophe     | (D) fraud       |
| 45 | (A) secular        | (B) financial       | (C) spiritual       | (D) mercantile  |

請依下文回答第 46 至 50 題：

The word volcano can describe anything from a single opening in the earth a few meters across to a field of connected openings that might be 20 kilometers or more in width. Most researchers consider any set of openings that are connected to a large central core as a single “volcano”. Otherwise, they would have to deal with an endless number of names for each individual opening. Italy’s Stromboli has been almost constantly erupting for over 2400 years, but most eruptions do not last that long. Currently, there are about 15 volcanoes worldwide that have been actively erupting for the last 30 years. On the other end of the scale, about ten percent of volcanoes have eruptions which last for just a single day. The majority of the eruptions lasted three months or less. This means the average time from beginning to end is usually about seven weeks.

From the number of volcanic eruptions detected over the past few hundred years, it would appear that they are becoming much more frequent over time. However, when researchers tracked the growth in reported eruptions along with the growth of the human population, they realized that volcanic activity wasn’t actually becoming more frequent. Instead, as people spread over more areas of the earth’s surface, the monitoring and reporting of volcanic activity inevitably increased with the expanding population.

The highest volcano when measured from sea level to its top is Ojos del Salado in the Andes mountains in South America. It is 6,887 meters above sea level. However, when measured from its base on the surface of the earth to the top, a different set of volcanoes become the highest ones. Some volcanoes in the Mauna Loa zone near Hawaii rise as much as 19 kilometers above their bases at the bottom of the Pacific Ocean.

The first thing to do when caught near a volcanic eruption is to avoid a potentially disastrous situation, listen to the radio and travel only as instructed by the local police or other authorities. Stay away from lava, mud and flying rocks. Avoid river areas and low-lying regions. Before you leave the house, put on a long-sleeved shirt, long pants, and eyeglasses or sunglasses to protect your eyes. Wear an emergency mask or hold a wet cloth over your face if you do not have **one**. Since ash can damage engine parts, refrain from driving if possible. If you decide not to leave the house, close all windows and doors to prevent ash from getting inside.

- 46 What is the purpose of this passage?
- (A) To explain the increasing rate of volcanic activities. (B) To explain some facts about volcanoes.  
 (C) To describe the causes of volcanic eruptions. (D) To analyze the threats of volcanic eruptions.
- 47 Which of the following statements is true about volcanic activities in Paragraph Two?
- (A) They have been on the increase over the years.  
 (B) They are no more frequent than they used to be.  
 (C) They increase as the human population becomes larger.  
 (D) They are more frequently observed as a result of increased population.
- 48 In Paragraph Four, what does **one** refer to?
- (A) A wet cloth. (B) A volcanic eruption. (C) An emergency mask. (D) A long-sleeved shirt.
- 49 According to the passage, what is the right thing to do when being caught near a volcanic eruption?
- (A) Drive to low-lying regions right away.  
 (B) Walk along river areas as soon as possible.  
 (C) Wear short-sleeved shirts before leaving the house.  
 (D) Close all the windows and doors when staying indoors.
- 50 According to the passage, which of the following is true?
- (A) Volcanic eruptions can last as long as thirty years.  
 (B) Most volcanic eruptions last no longer than three months.  
 (C) Ojos del Salado in South America is the highest volcano on the surface of the earth.  
 (D) It has been proved by scientists that volcanoes have become more active than ever.

# 測驗題標準答案更正

考試名稱：106年公務人員特種考試司法人員、法務部調查局調查人員、國家安全局國家安全情報人員、海岸巡防人員及移民行政人員考試

類科名稱：調查工作組(選試英文)、調查工作組(選試日文)、調查工作組(選試西班牙文)、法律實務組、財經實務組、化學鑑識組、醫學鑑識組、電子科學組、資訊科學組、營繕工程組、政經組(選試英文)、政經組(選試日文)、情報組(選試英文)、情報組(選試日文)、國際組(選試英文)、國際組(選試西班牙文)、資訊組(選試英文)、電子組(選試英文)、數理組(選試英文)

科目名稱：綜合法政知識與英文(包括中華民國憲法、法學緒論、兩岸關係、英文)

單選題數：50題

單選每題配分：2.00分

複選題數：

複選每題配分：

標準答案：答案標註#者，表該題有更正答案，其更正內容詳見備註。

更多國安考試科目的歷屆題庫  
立即上網搜尋“國安考試歷屆考古題”  
高鋒公職補習班整理  
Line@帳號：@gaofeng  
連絡電話：07-236-7296

題號	第1題	第2題	第3題	第4題	第5題	第6題	第7題	第8題	第9題	第10題
答案	C	A	B	D	C	C	B	D	B	D

題號	第11題	第12題	第13題	第14題	第15題	第16題	第17題	第18題	第19題	第20題
答案	C	A	C	B	D	D	D	B	B	C

題號	第21題	第22題	第23題	第24題	第25題	第26題	第27題	第28題	第29題	第30題
答案	C	A	C	B	B	A	B	C	C	C

題號	第31題	第32題	第33題	第34題	第35題	第36題	第37題	第38題	第39題	第40題
答案	C	A	A	C	A	D	B	C	D	C

題號	第41題	第42題	第43題	第44題	第45題	第46題	第47題	第48題	第49題	第50題
答案	D	B	B	A	A	B	#	C	D	B

題號	第51題	第52題	第53題	第54題	第55題	第56題	第57題	第58題	第59題	第60題
答案										

題號	第61題	第62題	第63題	第64題	第65題	第66題	第67題	第68題	第69題	第70題
答案										

題號	第71題	第72題	第73題	第74題	第75題	第76題	第77題	第78題	第79題	第80題
答案										

題號	第81題	第82題	第83題	第84題	第85題	第86題	第87題	第88題	第89題	第90題
答案										

題號	第91題	第92題	第93題	第94題	第95題	第96題	第97題	第98題	第99題	第100題
答案										

備註：第47題答B或D或BD者均給分。

106年公務人員特種考試司法人員、法務部  
調查局調查人員、國家安全局國家安全情報  
人員、海岸巡防人員及移民行政人員考試試題

代號：60760

全一頁

考試別：國家安全情報人員  
等別：三等考試  
類科組：資訊組（選試英文）  
科目：網路應用與安全  
考試時間：2小時

更多國安考試科目的歷屆題庫  
立即上網搜尋“國安考試歷屆考古題”  
高鋒公職補習班整理  
Line@帳號：@gaofeng  
連絡電話：07-236-7296

座號：\_\_\_\_\_

※注意：(一)禁止使用電子計算器。

(二)不必抄題，作答時請將試題題號及答案依照順序寫在試卷上，於本試題上作答者，不予計分。

(三)本科目除專門名詞或數理公式外，應使用本國文字作答。

一、網際網路封包傳送的路由器交換技術可分為封包交換（Packet switching）和線路交換（Circuit switching）。

(一)分別說明封包交換和線路交換如何將資料由來源端送至目的端？（15分）

(二)說明封包交換和線路交換方法的優缺點。（10分）

二、虛擬私有網路（Virtual Private Network）常被用來穿過惡意網路，將資料傳送至目的地端。

(一)何謂虛擬私有網路？（5分）

(二)分別說明虛擬私有網路常使用之 IPSec 兩種模式認證表頭（Authentication Header）和資料安全封裝（Encapsulation Security Payload）如何保護傳輸之資料？（20分）

三、入侵偵測系統根據偵測方法可分為行為異常（anomaly-based）入侵偵測系統和攻擊特徵（signature-based）入侵偵測系統。

(一)分別說明行為異常入侵偵測系統和攻擊特徵入侵偵測系統如何偵測入侵行為？（10分）

(二)比較行為異常入侵偵測系統和攻擊特徵入侵偵測系統的優缺點。（15分）

四、資料存取控制政策一般來說可以分成三種類別，分別說明這三種類別的資料存取政策。（25分）



106年公務人員特種考試司法人員、法務部  
調查局調查人員、國家安全局國家安全情報  
人員、海岸巡防人員及移民行政人員考試試題

代號：40950  
60750

全一頁

考試別：調查人員、國家安全情報人員

等別：三等考試

類科組：資訊科學組、資訊組（選試英文）

科目：資料庫應用

考試時間：2小時

更多國安考試科目的歷屆題庫  
立即上網搜尋“國安考試歷屆考古題”  
高鋒公職補習班整理  
Line@帳號：@gaofeng  
連絡電話：07-236-7296

座號：\_\_\_\_\_

※注意：(一)禁止使用電子計算器。

(二)不必抄題，作答時請將試題題號及答案依照順序寫在試卷上，於本試題上作答者，不予計分。

(三)本科目除專門名詞或數理公式外，應使用本國文字作答。

- 一、在關聯式資料庫 (relational database) 的領域，有許多關於資料模式 (data model) 的用語。
  - (一)試論述概念資料模式 (conceptual data model) 這個語詞，在關聯式資料庫的意涵與使用。(10分)
  - (二)試論述實體資料模式 (physical data model) 這個語詞，在關聯式資料庫的意涵與使用。(10分)
- 二、相對於集中式 (centralized) 的資料庫系統，網路式的資料庫系統有許多不同的架構。
  - (一)試詳細論述二層式主從架構之關聯式資料庫管理系統 (two-tier client/server architecture for RDBMS) 的系統運作。(10分)
  - (二)試對照與比較三層式主從架構之關聯式資料庫管理系統 (three-tier client/server architecture for RDBMS) 與二層式主從架構之關聯式資料庫管理系統，兩者的系統運作。(15分)
- 三、假設有一關聯T (A,B,C,D,E)，其主鍵 (primary key) 係由A與B兩屬性 (attributes) 所組成，並已知關聯T的B與E兩屬性間具有如後的功能相依： $B \rightarrow E$  (B屬性可以決定E屬性)。試問：若關聯T未進行正規化之處理，則關聯T在資料庫的使用上會有怎樣的問題存在？請以條列方式回答，並對每個條列的問題，先敘述問題主旨為何，然後對該問題產生的原因，舉出資料實例加以說明。(25分)
- 四、在傳統的檔案處理 (file processing)，整體組織之資料的建立與使用，是由每個應用程式依其資料使用需求建立個別檔案，以支援該應用程式的資訊產出；當今的關聯式資料庫 (relational database) 系統，則有許多不同之處，其結果是比傳統的檔案處理，能夠對整體組織的資料，具有獲取更多資訊的優點。試問：當今的關聯式資料庫系統與傳統的檔案處理比較，是因為有那些不同之處，才能達成上述之優點。請以條列方式回答，並針對條列的每個「不同之處」，先敘述主旨，再詳細論述。(30分)

106年公務人員特種考試司法人員、法務部  
調查局調查人員、國家安全局國家安全情報  
人員、海岸巡防人員及移民行政人員考試試題

代號：40830 全一張  
60730-60830 (正面)

考試別：調查人員、國家安全情報人員  
等別：三等考試

類科組：調查人員電子科學組、國家安全情報人員資訊組(選試英文)、  
電子組(選試英文)

科目：計算機概論

考試時間：2小時

更多國安考試科目的歷屆題庫  
立即上網搜尋“國安考試歷屆考古題”  
高鋒公職補習班整理  
Line@帳號：@gaofeng  
連絡電話：07-236-7296

座號：\_\_\_\_\_

※注意：(一)禁止使用電子計算器。

(二)不必抄題，作答時請將試題題號及答案依照順序寫在試卷上，於本試題上作答者，不予計分。

(三)本科目除專門名詞或數理公式外，應使用本國文字作答。

一、請計算下列結果(列出計算過程)：

(一)請將二進位數 $(101110101101.10001)_2$ 轉換為十六進位數。(4分)

(二)請將十進位數 $(2017.3125)_{10}$ 轉換為二進位數。(5分)

(三)資料量單位  $1 \text{ EB} = a \text{ PB} = 2^n \text{ GB} = 2^m \text{ KB}$ ，請寫出  $a, n, m$  的數值。(6分)

二、請回答下列問題：(每小題5分，共15分)

(一)何謂分時系統(Time-Sharing System)？

(二)行程(Process)和程式(Program)有什麼關係？

(三)常見的行動裝置作業系統有那兩種？最主要的差異是什麼？

三、請回答下列問題：(每小題5分，共15分)

(一)何謂4G LTE？傳輸速率為何？

(二)近來有電信業者推出4.5G的廣告，何謂4.5G？

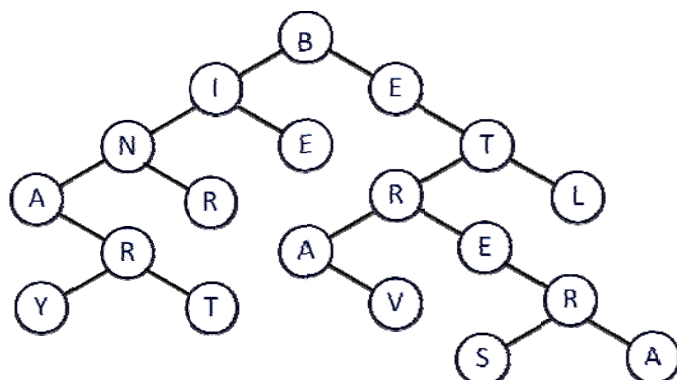
(三)何謂IEEE 802.3az標準？有何優點？

四、請回答下列問題：(每小題5分，共10分)

(一)給定二維陣列  $a[6..11, 4..14]$ ，請計算出  $a[8, 9]$  在以列為主時，是此陣列的第幾個元素？

(二)若每個元素4個位元組，假設起始位址為  $(A88E)_{16}$ ，在以行為主時， $a[8, 9]$  在此陣列的位址為何？

五、二元樹的旅訪(Binary Tree Traversal)可分為深度優先(Depth First)與廣度優先(Breadth First)。請說明深度優先旅訪可分為那三種？旅訪順序為何？再寫出以這三種方式旅訪下列二元樹的結果。(15分)



(請接背面)



106年公務人員特種考試司法人員、法務部  
調查局調查人員、國家安全局國家安全情報  
人員、海岸巡防人員及移民行政人員考試試題

代號：40830 全一張  
60730-60830 (背面)

考試別：調查人員、國家安全情報人員

等別：三等考試

類科組：調查人員電子科學組、國家安全情報人員資訊組（選試英文）、  
電子組（選試英文）

科目：計算機概論

六、依照不同的程式設計方法，請說明程式語言可分為那五類並舉例之？（提示：例如物件  
導向式程式語言）（20分）

七、今年全球爆發了大規模的勒索病毒危機，許多國家的政府、企業和個人受害。請問  
何謂勒索病毒？應如何防治？（10分）

更多國安考試科目的歷屆題庫  
立即上網搜尋“國安考試歷屆考古題”  
高鋒公職補習班整理  
Line@帳號：@gaofeng  
連絡電話：07-236-7296

105年公務人員特種考試司法人員、法務部  
調查局調查人員、國家安全局國家安全情報  
人員、海岸巡防人員及移民行政人員考試試題

10120-11220  
40120-41020 全一張  
代號：60120-60920  
70120-70220 (正面)  
80120-81120

考試別：司法人員、調查人員、國家安全情報人員、海岸巡防人員、移民行政人員

等別：三等考試

類科組：各類科組

科目：國文（作文、公文與測驗）

考試時間：2小時

座號：\_\_\_\_\_

※注意：禁止使用電子計算器。

甲、作文與公文部分：

(一)請以藍、黑色鋼筆或原子筆在申論試卷上由左至右橫式作答，於本試題上作答者，不予計分。

(二)不得於試卷上書寫姓名或入場證號。

一、作文：(60分)

在憂患中鍛鍊

二、公文：(20分)

中小學校園因發生霸凌事件而廣受媒體報導者時有所聞。受害學生常致人格扭曲、憤世疾俗，因之或自殘或傷人者並不罕見，甚至衍生重大事件，造成社會不安。試擬臺南市政府教育局致轄下各中小學函，敦促校內行政、教學、輔導人員密切注意，以防範校園霸凌現象。

乙、測驗部分：(20分)

代號：2101

(一)本測驗試題為單一選擇題，請選出一個正確或最適當的答案，複選作答者，該題不予計分。

(二)共10題，每題2分，須用2B鉛筆在試卡上依題號清楚劃記，於本試題或申論試卷上作答者，不予計分。

1. 下列各文句與詞語的配對，意義最相近的是：

- (A)嘗一臠肉，知一鑊之味—見微知著
- (B)善琴奕者不視譜，善相馬者不按圖—巧奪天工
- (C)飛鳥盡，良弓藏；狡兔死，走狗烹—滿載而歸
- (D)邦有道則仕，邦無道則可卷而懷之—隱惡揚善

2. 下列各組「」中語詞的意義，何者屬於兩兩相同？

- (A)「薄」暮冥冥，虎嘯猿啼/日「薄」西山，氣息奄奄
- (B)負者歌於途，行者「休」於樹/將崇極天之峻，永保無疆之「休」
- (C)之子于「歸」，宜其室家/一日之恩，能使視死如「歸」而存信義
- (D)吾「售」之，人取之，未嘗有言/問其價，曰：止四百。余憐而「售」之

3. 韓琮詩：「綠暗紅稀出鳳城，暮雲樓閣古今情。行人莫聽宮前水，流盡年光是此聲。」下列詩詞中，那一個選項的東流水，也同樣帶有時間流逝的意涵？

- (A)大江東去，浪淘盡，千古風流人物
- (B)請君試問東流水，別意與之誰短長
- (C)問君能有幾多愁，恰似一江春水向東流
- (D)胭脂淚，相留醉，幾時重，自是人生長恨水長東

4. 古典詩人在表現送別之情時，常以景結情，以留下生動的畫面，供作無窮的回味，下列選項中，何者非「以景結情」手法？

- (A)孤帆遠影碧空盡，唯見長江天際流
- (B)莫愁前路無知己，天下誰人不識君
- (C)山回路轉不見君，雪上空留馬行處
- (D)江春不肯留歸客，草色青青送馬蹄

(請接背面)

更多國安考試科目的歷屆題庫  
立即上網搜尋“國安考試歷屆考古題”  
高鋒公職補習班整理  
Line@帳號：@gaofeng  
連絡電話：07-236-7296

105年公務人員特種考試司法人員、法務部  
調查局調查人員、國家安全局國家安全情報  
人員、海岸巡防人員及移民行政人員考試試題

10120-11220  
40120-41020 全一張  
代號：60120-60920  
70120-70220 (背面)  
80120-81120

考試別：司法人員、調查人員、國家安全情報人員、海岸巡防人員、移民行政人員

等別：三等考試

類科組：各類科組

科目：國文（作文、公文與測驗）

5. 「近世有兩人，朗悟士也，性多營綜，略無成名，經不足以待問，史不足以討論，文章無可傳於集錄，書迹未堪以留愛翫，卜筮射六得三，醫藥治十差五，音樂在數十人下，弓矢在千百人中，天文、畫繪、碁博、鮮卑語、胡書，煎胡桃油，鍊錫為銀，如此之類，略得梗槩，皆不通熟。惜乎，以彼神明，若省其異端，當精妙也。」下列何者最適合說明此段文字之旨意？  
(A)功有所不全，力有所不任，才有所不足  
(B)多為少善，不如執一；鼯鼠五能，不成伎術  
(C)尺有所短，寸有所長；物有所不足，智有所不明  
(D)如人鍛鐵，去滓成器，器即精好；學道之人，去心垢染，行即清淨矣
6. 張潮《幽夢影》：「讀經宜冬，其神專也；讀史宜夏，其時久也；讀諸子宜秋，其致別也；讀諸集宜春，其機暢也。」根據上述，下列選項對應四季適合閱讀的書籍何者錯誤？  
(A)春—《楚辭》 (B)夏—《資治通鑑》 (C)秋—《呂氏春秋》 (D)冬—《道德經》
7. 「人們不斷消費、獲得、積聚與收藏。他們『擁有』朋友，『擁有』關係，『擁有』文憑、頭銜、勳章，……他們總是聽命於愈來愈多的欲望。」下列那個選項的主張與引文不同？  
(A)雖得位居大政，猶當連衡盤結以自固  
(B)功勳名著，然後賞勸隨之，方得以聚厚貲、援朋黨  
(C)心期在黃老，家事是功勳，采蕨輕軒冕，委命隨修短  
(D)得位遭時，功不可以不圖，名不可以不立。洎功成而名遂，則望重而身榮
8. 「幾年前，雪碧在美國有句廣告詞：『服從你的渴望』，這句廣告詞（無疑是無心插柳）包含了一個康德式的洞見。當我拿起一罐雪碧（或百事可樂或可口可樂），這個行為是出於服從，而不是自由。我只是回應一個並非我自選的欲望。我是在服從渴望。人的行為是來自天性還是教養，大家常常爭執不下。對雪碧的渴望（或其他含糖飲料）是深植於基因還是廣告誘導？在康德看來，這種辯論毫無意義。凡是受到生理決定或社會制約的行為，都不是真自由。行動要自由，就必須自主，而自主就是按照自訂法律，而不是按照天性指揮或社會習俗。」關於上文的理解，下列何者有誤？  
(A)生理決定是不自主的行為 (B)社會制約是不道德的行為  
(C)沒有自主就沒有自由可言 (D)擁有自由就一定能夠自主
9. 「不知道從什麼時候開始，我們的社會，逐漸失去容忍失誤的空間。……不管是天災還是人禍，總要吵出一個名堂才行。問題是，憤怒只會讓事情更糟。其實，生活裡，失誤總是難免。剛轉到藍鳥隊的突洛維斯基是史上守備率最高的游擊手，每年還是有將近十次的失誤；NBA 快艇隊的保羅今年有最好的助攻/失誤比，整個球季也有一百九十次把球搞丟。每次人為的失誤，一定會帶來損失，可是那只是比賽裡的一部分。常態分配的人生，總有掉到區線下緣的時候，日本人說這是『Mujo（無常）』、歐美人說『有時總會踩到狗屎』，為什麼我們對於別人的失誤，卻經常懷抱零容忍的態度呢？在球場上，得到的經驗是遇到別人的失誤，讓自責的隊友知道大家會一起全力彌補，遠比埋怨有用。有些事情發生之後檢討可以避免再度重演，可是很多時候，下一個莫名其妙的失誤怎樣都會出現，再怎麼生氣也沒有用。」下列選項中，最適合此段短文的標題是：  
(A)檢討可以避免失誤 (B)失誤是生活的一部分  
(C)處處曲徇，失誤連連 (D)憤怒，只會讓事情更糟
10. 有關禮金封套用語，下列選項的說明何者完全正確？①湯餅之敬 ②贖儀 ③贄儀 ④楮敬  
(A)①：子女周歲 ②：喪禮 ③：送業師 ④：送遠行者  
(B)①：子女滿月 ②：送遠行者 ③：送業師 ④：喪禮  
(C)①：送業師 ②：子女周歲 ③：送遠行者 ④：喪禮  
(D)①：喪禮 ②：子女滿月 ③：送遠行者 ④：送業師

# 測驗式試題標準答案

考試名稱：105年公務人員特種考試司法人員、法務部調查局調查人員、國家安全局國家安全情報人員、海岸巡防人員及移民行政人員考試

類科名稱：

檢察事務官營繕工程組、司法事務官法律事務組、檢察事務官電子資訊組、觀護人(選試社會工作概論)、公職法醫師、監獄官(男)、檢察事務官偵查實務組、法院書記官、監獄官(女)、公證人、檢察事務官財經實務組、心理測驗員、營繕工程組、電子科學組、法律實務組、化學組織組、醫學組織組、調查工作組(選試土耳其文)、調查工作組(選試西班牙文)、調查工作組(選試英文)、資訊科學組、財經實務組、數理組(選試英文)、政經組(選試英文)、電子組(選試英文)、資訊組(選試英文)、國際組(選試韓文)、國際組(選試法文)、國際組(選試日文)、情報組(選試英文)、國際組(選試英文)、海洋巡邏科輪機組、海巡行政、移民行政(選試英文)、移民行政(選試越南文)、移民行政(選試韓文)、移民行政(選試葡萄牙文)、移民行政(選試西班牙文)、移民行政(選試印尼文)、移民行政(選試德文)、移民行政(選試泰文)、移民行政(選試日文)、移民行政(選試法文)、移民行政(選試俄文)

科目名稱：

國文(作文、公文與測驗)(試題代號：2101)

單選題數：10題

單選每題配分：2.00分

複選題數：

複選每題配分：

標準答案：

更多國安考試科目的歷屆題庫  
 立即上網搜尋“國安考試歷屆考古題”  
 高鋒公職補習班整理  
 Line@帳號：@gaofeng  
 連絡電話：07-236-7296

題號	第1題	第2題	第3題	第4題	第5題	第6題	第7題	第8題	第9題	第10題
答案	A	A	A	B	B	D	C	B	B	B

題號	第11題	第12題	第13題	第14題	第15題	第16題	第17題	第18題	第19題	第20題
答案										

題號	第21題	第22題	第23題	第24題	第25題	第26題	第27題	第28題	第29題	第30題
答案										

題號	第31題	第32題	第33題	第34題	第35題	第36題	第37題	第38題	第39題	第40題
答案										

題號	第41題	第42題	第43題	第44題	第45題	第46題	第47題	第48題	第49題	第50題
答案										

題號	第51題	第52題	第53題	第54題	第55題	第56題	第57題	第58題	第59題	第60題
答案										

題號	第61題	第62題	第63題	第64題	第65題	第66題	第67題	第68題	第69題	第70題
答案										

題號	第71題	第72題	第73題	第74題	第75題	第76題	第77題	第78題	第79題	第80題
答案										

題號	第81題	第82題	第83題	第84題	第85題	第86題	第87題	第88題	第89題	第90題
答案										

題號	第91題	第92題	第93題	第94題	第95題	第96題	第97題	第98題	第99題	第100題
答案										

備註：



代號：40140  
60140-60340  
60740-60940  
頁次：4-1

# 105年公務人員特種考試司法人員、法務部 調查局調查人員、國家安全局國家安全情報 人員、海岸巡防人員及移民行政人員考試試題

考試別：調查人員、國家安全情報人員

等別：三等考試

類科組：調查工作組（選試英文）、各組（選試英文）

科目：外國文（英文）

考試時間：2小時

※注意：禁止使用電子計算器。

更多國安考試科目的歷屆題庫  
立即上網搜尋“國安考試歷屆考古題”  
高鋒公職補習班整理  
Line@帳號：@gaofeng  
連絡電話：07-236-7296

座號：\_\_\_\_\_

甲、申論題部分：（50分）

- (一)不必抄題，作答時請將試題題號及答案依照順序寫在申論試卷上，於本試題上作答者，不予計分。  
(二)請以藍、黑色鋼筆或原子筆在申論試卷上作答。

一、英譯中：（15分）

Censorship rests upon the assumption that the sovereign or some person or committee appointed by him possesses the truth and is the final judge of right and good, and that the ruler is charged with the responsibility of seeing that false or harmful doctrines are not spread abroad.

二、中譯英：（15分）

即使收賄的人僅僅做了在法令範圍內該做的事，他們仍然犯了法。官員不能在他們職務本分內做了該做的事而接受任何酬賞。施賄之人，如果立即主動向相關單位告發並透露收賄官員之姓名，則有可能免受懲處。

三、英文作文：（20分）

The classic type of a nuclear family consists of two parents with their offspring. Today, things have changed and the value of a nuclear family may also have changed. It is high time we reopen the discussion of advantages and disadvantages of a nuclear family. In either case, please elaborate your argument in **no more than 250** words and be sure to support it with sufficient illustrations.

乙、測驗題部分：（50分）

代號：4401

- (一)本測驗試題為單一選擇題，請選出一個正確或最適當的答案，複選作答者，該題不予計分。  
(二)共40題，每題1.25分，須用2B鉛筆在試卡上依題號清楚劃記，於本試題或申論試卷上作答者，不予計分。

- The university has been considered one of the most \_\_\_\_\_ institutes in the world since its founding in the 19<sup>th</sup> century.  
(A)scrambled (B)consecutive (C)prestigious (D)forbidden
- A retired general, a retired scholar, and a bankrupt businessman all have experiences and accomplishment that can be seen as \_\_\_\_\_ assets.  
(A)implacable (B)intangible (C)imminent (D)interstitial
- Garden plants with tender fruits, vegetables or delicate stalks and leaves are the most \_\_\_\_\_ to frost damage.  
(A)susceptible (B)suspicious (C)suspended (D)sustainable
- Almost 15 years ago, I \_\_\_\_\_ a story about an innocent man who had been sentenced to die in the Huntsville electric chair.  
(A)based on (B)coiled up (C)ate up (D)stumbled on
- With good leadership, the CEO gets the business \_\_\_\_\_ within a year.  
(A)up and running (B)up and down (C)on and going (D)in and out
- The lamp goes so well with the furniture and the floor carpet. It is a beautiful \_\_\_\_\_ to the living room.  
(A)milestone (B)inscription (C)landscape (D)complement

請依下文回答第7題至第11題：

What is particularly interesting about our species? For a start, we walk 7 on our hind-legs at all times, which is an extremely unusual way of getting around for a mammal. There are also several unusual 8 about our head, not least of which is the very large brain it contains... Our forelimbs, being freed from helping us to get about, possess a very high degree of 9 skill. Part of this skill lies in the anatomical structure of the hands, but the 10 element is, of course, the power of the brain... The most obvious product of our hands and brains is technology. No other animal maneuvers the world in the extensive and arbitrary way that humans do. The termites 11 constructing intricately structured mounds which create their own “air-conditioned” environment inside. However, the termites cannot choose to build a cathedral instead. Humans are unique because they have the capacity to choose what they do.

- (A)tight (B)bright (C)highlight (D)upright
- (A)fingers (B)feathers (C)features (D)figures
- (A)meditative (B)calculative (C)manipulative (D)possessive

- 10 (A)racial (B)crucial (C)spatial (D)cultural  
 11 (A)are able to (B)are proud to (C)are capable of (D)are thinking of

請依下文回答第 12 題至第 16 題：

The highest compliment anyone could pay anyone else when I was growing up in England in the 1980s was “skill” (as in “man, your new skateboard is so skill”), and nobody was more skill than Diego Armando Maradona. His name 12 as the highest form of praise, on the soccer field and elsewhere (“man, your new skateboard is so Maradona”). Then I saw him score against Italy in the 1986 World Cup, leaping several feet into the air outside the left edge of the six-yard box to tap the ball deftly over the outstretched right leg of the Italian captain, past the outstretched arms of the keeper, and into the bottom right-hand corner of the goal. It was evident that Maradona was not merely skillful, but skill 13.

The next time Maradona scored was June 22, the day Argentina played against England. The two nations had last clashed four years earlier, not on a soccer field but in the Falklands War. By the time Britain had retaken the islands from Argentina, more than 900 men (most of them Argentines) had lost their lives. The victory saw Margaret Thatcher’s popularity soar in Britain; in contrast, the defeat 14 the downfall of the right-wing military junta that had ruled Argentina since 1976.

All that was ancient history four years later. Maradona scored both of Argentina’s goals in a 2-1 victory over England. The second of them, 11 dazzling seconds of superhuman skill, was voted Goal of the Century in 2002. When Maradona executed an exquisite arabesque, stretching his right leg elegantly behind him, I would not have been surprised if he 15 into the air and started flying. He appeared to be moving through a different 16 from the England players, who came to tackle him only once he was already past them. It’s amazing!

- 12 (A)was convoked (B)was invoked (C)was provoked (D)was revoked  
 13 (A)embarrassed (B)embargoed (C)embodied (D)embroiled  
 14 (A)contributed to (B)focused on (C)relied on (D)stemmed from  
 15 (A)had taken off (B)has taken off (C)took off (D)was taking off  
 16 (A)time capsule (B)time card (C)time clock (D)time frame

請依下文回答第 17 題至第 18 題：

In his long journey of fantasy, Don Quixote arrives at an inn, which he calls A Spectacular Castle. Entering the castle, he requests that the innkeeper, whom he believes to be a king, declare him a knight. Instead of revealing the reality and hurting Don Quixote’s feelings, the innkeeper 17 with him.

In this knight-declaring comedy, the innkeeper plays well. The other guests, however, play a 18 joke on him. To defend his pride as well as his title, Don Quixote challenges them, but ends up being beaten severely.

- 17 (A)unites (B)collaborates (C)counteracts (D)circumscribes  
 18 (A)tangible (B)malicious (C)neutral (D)tactile

19 Lisa was five-year-old; she was very fair, nicely rounded, with fierce blue eyes and more curiosity than any human being I have ever met. In her it was an energy that if harnessed could have run an entire electrical plant.

- (A)Lisa is curious about running a power plant and producing energy.  
 (B)Lisa has round blue eyes, is fair to her friends and curious about energy.  
 (C)Lisa is a curious child with an abundance of energy.  
 (D)Lisa harnesses energy to run an electricity plant.

20 All her life Kelly had stuck with difficult tasks and challenges, and triumphed.

- (A)Kelly gained complete success after a life-long struggle through all sorts of difficult situations.  
 (B)Kelly had so many difficulties that she could never think of being successful.  
 (C)Kelly’s success had nothing to do with all the difficulties that she experienced in life.  
 (D)Kelly became less successful once she faced more challenges in life.

第 21 題至第 25 題為篇章結構，各題請依文意從四個選項中選出最合適者，答案選用不能重複：

In the early years of the 1900’s, many different groups were demanding reform and renewal: black writers, labor organizers, supporters of women’s rights, and muckraking journalists. 21 Modernism, as much of this new work and theory came to be called, was based on the belief that all the existing structures that governed life and art—social, religious, and political—had broken down. Order was replaced by fragments, and the typical modernist work often seems difficult to understand.

Despite modernism’s influence, important work was done in the early 1900’s of a more familiar sort. 22 Robinson’s poems are often set in a fictional New England town called “Tillbury.” 23 “Eros Turannos” (1916), one of his finest poems, portrays a woman’s desperate and self-destructive love for a man she knows will betray her.

Robert Frost was probably the best-known American poet of the 1900’s. 24 At that time, modernists wrote verse which was difficult and obscure. 25 He was born in California, but he lived most of his long life in New England. His poetry is filled with the landscapes, seasons, and people of that region.

- 21 (A)The same spirit of protest also touched literature.  
 (B)Frost wrote poetry that was based on ordinary speech and was accessible to a large audience.  
 (C)His typical characters are joyless men and women who spend their days contemplating their own failure.  
 (D)His first volumes, *A Boy’s Will* (1913) and *North of Boston* (1914) gained him a popularity that lasted half a century.  
 22 (A)The same spirit of protest also touched literature.  
 (B)Frost wrote poetry that was based on ordinary speech and was accessible to a large audience.  
 (C)His typical characters are joyless men and women who spend their days contemplating their own failure.  
 (D)In particular, Edwin Arlington Robinson and Robert Frost used the scenes and voices of New England to create memorable poetry.

- 23 (A)Frost wrote poetry that was based on ordinary speech and was accessible to a large audience.  
(B)His typical characters are joyless men and women who spend their days contemplating their own failure.  
(C)His first volumes, *A Boy's Will* (1913) and *North of Boston* (1914) gained him a popularity that kept through half a century.  
(D)In particular, Edwin Arlington Robinson and Robert Frost used the scenes and voices of New England to create memorable poetry.
- 24 (A)Frost wrote poetry that was based on ordinary speech and was accessible to a large audience.  
(B)His typical characters are joyless men and women who spend their days contemplating their own failure.  
(C)His first volumes, *A Boy's Will* (1913) and *North of Boston* (1914) gained him a popularity that kept through half a century.  
(D)In particular, Edwin Arlington Robinson and Robert Frost used the scenes and voices of New England to create memorable poetry.
- 25 (A)Frost wrote poetry that was based on ordinary speech and was accessible to a large audience.  
(B)His typical characters are joyless men and women who spend their days contemplating their own failure.  
(C)The same spirit of protest also touched literature.  
(D)In particular, Edwin Arlington Robinson and Robert Frost used the scenes and voices of New England to create memorable poetry.

請依下文回答第 26 題至第 30 題：

Robert Spring, a 19<sup>th</sup> century forger, was so good at his profession that he was able to make his living for 15 years by selling false signatures of famous Americans. Spring was born in England in 1813 and arrived in Philadelphia in 1858 to open a bookstore. At first he prospered by selling his small but genuine collection of early U.S. autographs. Discovering his ability at copying handwriting, he began imitating signatures of George Washington and Ben Franklin and writing them on the title pages of old books. To lessen the chance of detection, he sent his forgeries to England and Canada for sale and circulation.

Forgers have a hard time selling their products. A forger can't approach a respectable buyer but must deal with people who don't have much knowledge in the field. Forgers have many ways to make their work look real. For example, they buy old books to use the aged paper of the title page, and they can treat paper and ink with chemicals.

In Spring's time, right after the Civil War, Britain was still fond of the Southern states, so Spring invented a respectable maiden lady known as Miss Fanny Jackson, the only daughter of General "Stonewall" Jackson. For several years Miss Fanny's financial problems forced her to sell a great number of letters and manuscripts belonging to her famous father. Spring had to work very hard to satisfy the demand. All this activity did not prevent Spring from dying in poverty, leaving sharp-eyed experts the difficult task of separating his forgeries from the originals.

- 26 Why did Spring sell faked autographs in England and Canada?  
(A)There was a greater demand there than in America. (B)There was less chance of being detected there.  
(C)Britain was Spring's birthplace. (D)The prices were higher in England and Canada.
- 27 Which of the following had a great demand in Great Britain after the Civil War?  
(A)Southern money (B)Signatures of George Washington and Ben Franklin  
(C)Southern manuscripts and letters (D)Civil War battle plans
- 28 Which of the following best describes Robert Spring's career?  
(A)He was a forger of signatures. (B)He ran a bookstore in London.  
(C)He corresponded with Miss Fanny Jackson. (D)He was a respectable antique dealer.
- 29 According to the passage, to whom are forgeries usually sold?  
(A)Sharp-eyed experts (B)Persons who aren't experts  
(C)Old book dealers (D)Owners of old books
- 30 Who was Miss Fanny Jackson?  
(A)The only daughter of General "Stonewall" Jackson.  
(B)A little-known girl who sold her father's papers to Robert Spring.  
(C)Robert Spring's daughter  
(D)An imaginary person created by Spring

請依下文回答第 31 題至第 33 題：

Known as Asperger Disorder, Asperger Syndrome (AS) is an autism spectrum disorder that is characterized by difficulties in social interaction and nonverbal communication, alongside restricted and repetitive patterns of interests/behavior.

The exact cause of Asperger Syndrome is unknown. Although researches suggest the likelihood of a genetic basis, there is no known genetic cause to be identified with. What we can do is to learn how to help people with Asperger Syndrome interact with the world.

People with Asperger Syndrome generally seem more normal than other autistic people. They learn well, speak normally, and are usually very smart. They may not understand small talk, but may ramble on about a particular interest whether their listeners care or not. How to move can also be a problem for them. They may not use normal eye contact, or they might require more space than other people. They may not seem emotional or affectionate; they demonstrate limited empathy with their peers.

People with Asperger Syndrome do feel. They just show it differently. They think differently from most of the people, but they often think deeply. Accordingly, some researchers have advocated a shift in attitudes toward the view that it is a difference, rather than a disability that must be treated or cured.



- 31 What is this passage mainly about?  
(A) The exact cause of Asperger Syndrome is not known yet.  
(B) The treatment of Asperger Syndrome is difficult.  
(C) People with Asperger Syndrome are different.  
(D) Asperger Syndrome is not a disorder.
- 32 According to the passage, which of the following statements is true?  
(A) With the advance of medical science, the disorder can be cured in the near future.  
(B) Asperger patients are otherwise normal human being with a different behavior pattern.  
(C) People with Asperger Syndrome enjoy small talk.  
(D) People with Asperger Syndrome are physically agile; they have no difficulty interacting with other people.
- 33 What does the last sentence of the passage imply?  
(A) If Asperger Syndrome is treated as a difference, rather than a disability, it will be cured in the near future.  
(B) Because the exact cause of Asperger Syndrome is unknown, it is considered as a disability.  
(C) Because people with Asperger Syndrome have difficulties in social interaction, they are significantly different.  
(D) As questions about the causes of the disorder remain, Asperger Syndrome should be seen as a difference.

請依下文回答第 34 題至第 36 題：

The majority of spiders are loners. But about 25 of them have adopted a more sociable strategy. Recent researches show that personality is influenced by the other spiders in the group and that spider communities gain strength through a division of labor, which is dictated by predilection: those in charge of defending the colony score high on tests of aggression, while those caring for the young are more docile. The result of these studies resonates with our own experience.

- 34 What do spiders of a more aggressive nature tend to do?  
(A) Produce offsprings. (B) Protect their community. (C) Form childcare units. (D) Forsake their colony.
- 35 Which statement best describes the relationship between spider personality and its profession?  
(A) Aggressors are expelled from spider communities. (B) Personality dictates labor division.  
(C) Babysitting duties are shared by all. (D) Most spiders are gregarious.
- 36 According to the passage, what can we infer about spiders?  
(A) Sociability is an indicator of high intelligence. (B) Spiders imitate human behavior.  
(C) Personality is purely innate. (D) The spider community mirrors the human society.

請依下文回答第 37 題至第 40 題：

Often labeled a poet of memory, Li-young Lee, an Asian American, utilizes both the power and insufficiency of memory to discover his origins. Lee's reliance on memory illustrates its capacity to achieve the mythic depth necessary to define himself and the reader. But, within the Euro-centric American tradition, does Lee's work reflect only Asian American culture?

Studies show that Lee not only belongs to the American tradition, but that his poetry, in its preoccupation with memory and the loss of origin, epitomizes it. Critics often limit Lee's poetry to a purely Asian American reading, as Lee's poetry often attempts to recover his Chinese heritage. Yet critics fail to realize that Lee's heritage is redefined or even lost in his status as second-generation Asian American. This redefinition and loss are symptoms of American culture, which is predominately immigrant.

Immigration, in fact, led to the possibility of America's finding its origins in a collective and somewhat invented European mind in the first place. It is in this manner that Lee, as an immigrant, can similarly participate in the American tradition. Indeed, the key factor in Lee's capacity to be traditional is exactly the way in which he utilizes memory to combat the nihilistic threat present in memory's own potential to be lost.

Lee's poetry suggests that the American tradition is not bound to any single originating culture. Instead, this tradition is a search for origin arriving at the conclusion that all Americans, and in fact all people, share a universal and divine origin.

- 37 What is this passage mainly about?  
(A) Euro-centric American culture and Asian American culture are quite different.  
(B) Asian Americans' search for origin is doomed to fail.  
(C) All Americans share the traditions of searching for origins.  
(D) American immigrants represent many diverse cultures.
- 38 Which of the following can best describe Lee's condition?  
(A) Because of his immigrant status, Lee participates in the American tradition.  
(B) In spite of his immigrant status, Lee refuses to participate in the American tradition.  
(C) Although he is not an Asian immigrant, Lee participates in the American tradition.  
(D) To define his Asian American status, Lee claims that he is an immigrant.
- 39 In writing poetry, what does Lee rely on to help define himself?  
(A) power (B) tradition (C) memory (D) reading
- 40 According to the passage, why does Lee write poetry?  
(A) Because he wants to participate in the Euro-centric American tradition.  
(B) He writes poetry because of he is afraid of losing his citizenship.  
(C) He writes poetry in order to combat the nihilistic threat and to define himself.  
(D) He writes poetry in order to explore the limits of memory.

# 測驗式試題標準答案

考試名稱：105年公務人員特種考試司法人員、法務部調查局調查人員、國家安全局國家安全情報人員、海岸巡防人員及移民行政人員考試

類科名稱：調查工作組(選試英文)、電子組(選試英文)、情報組(選試英文)、國際組(選試英文)、資訊組(選試英文)、政經組(選試英文)、數理組(選試英文)

科目名稱：外國文(英文)(試題代號：4401)

單選題數：40題

單選每題配分：1.25分

複選題數：

複選每題配分：

標準答案：

更多國安考試科目的歷屆題庫  
立即上網搜尋“國安考試歷屆考古題”  
高鋒公職補習班整理  
Line@帳號：@gaofeng  
連絡電話：07-236-7296

題號	第1題	第2題	第3題	第4題	第5題	第6題	第7題	第8題	第9題	第10題
答案	C	B	A	D	A	D	D	C	C	B

題號	第11題	第12題	第13題	第14題	第15題	第16題	第17題	第18題	第19題	第20題
答案	C	B	C	A	A	D	B	B	C	A

題號	第21題	第22題	第23題	第24題	第25題	第26題	第27題	第28題	第29題	第30題
答案	A	D	B	C	A	B	C	A	B	D

題號	第31題	第32題	第33題	第34題	第35題	第36題	第37題	第38題	第39題	第40題
答案	C	B	D	B	B	D	C	A	C	C

題號	第41題	第42題	第43題	第44題	第45題	第46題	第47題	第48題	第49題	第50題
答案										

題號	第51題	第52題	第53題	第54題	第55題	第56題	第57題	第58題	第59題	第60題
答案										

題號	第61題	第62題	第63題	第64題	第65題	第66題	第67題	第68題	第69題	第70題
答案										

題號	第71題	第72題	第73題	第74題	第75題	第76題	第77題	第78題	第79題	第80題
答案										

題號	第81題	第82題	第83題	第84題	第85題	第86題	第87題	第88題	第89題	第90題
答案										

題號	第91題	第92題	第93題	第94題	第95題	第96題	第97題	第98題	第99題	第100題
答案										

備註：

# 105年公務人員特種考試司法人員、法務部 調查局調查人員、國家安全局國家安全情報 人員、海岸巡防人員及移民行政人員考試試題

考試別：調查人員、國家安全情報人員

等別：三等考試

類科組：各組

科目：綜合法政知識與英文（包括中華民國憲法、法學緒論、兩岸關係、英文）

考試時間：1小時

更多國安考試科目的歷屆題庫  
立即上網搜尋“國安考試歷屆考古題”  
高鋒公職補習班整理  
Line@帳號：@gaofeng  
連絡電話：07-236-7296

座號：\_\_\_\_\_

※注意：(一)本試題為單一選擇題，請選出一個正確或最適當的答案，複選作答者，該題不予計分。

(二)本科目共 50 題，每題 2 分，須用 **2B** 鉛筆在試卡上依題號清楚劃記，於本試題上作答者，不予計分。

(三)禁止使用電子計算器。

- 依總統副總統選舉罷免法之規定，總統選舉無效之訴，應由何法院管轄？  
(A)司法院大法官 (B)普通法院 (C)行政法院 (D)憲法法庭
- 依司法院大法官審理案件法之規定，下列敘述何者正確？  
(A)大法官解釋憲法，應有大法官現有總額 3/4 之出席，及出席人 2/3 同意，方得通過  
(B)大法官宣告命令牴觸憲法時，應有大法官現有總額 3/4 之出席，以出席人 1/2 同意行之  
(C)大法官統一解釋法律及命令，應有大法官現有總額過半數之出席，及出席人過半數之同意，方得通過  
(D)大法官每月開會 4 次，必要時得開臨時會議
- 依現行規定，有關總統、副總統彈劾之敘述，下列何者正確？  
(A)僅得以總統、副總統犯內亂或外患罪為由，提出彈劾案  
(B)總統、副總統之彈劾案由立法院提出後，送監察院審理  
(C)總統、副總統之彈劾案由立法院提出後，送司法院大法官審理，經大法官會議認定成立時，被彈劾人應即解職  
(D)彈劾係屬法律責任之追究，得對總統或副總統個別追究之
- 依司法院大法官解釋意旨，有關立法院調閱檢察機關偵查卷證之敘述，下列何者正確？  
(A)立法院為行使憲法上職權，得對於偵查中之案件調閱相關卷證  
(B)立法院雖非行使憲法上職權，得向檢察機關調閱偵查卷證之文件影本  
(C)立法院得向檢察機關調閱已偵查終結而不起訴處分確定之案件卷證  
(D)立法院得利用調閱卷證而知悉之資訊，不限於行使憲法上職權所必要
- 立法院副院長產生之方式為何？  
(A)由立法院院長提名，立法委員行使同意權 (B)立法委員互選產生  
(C)由立法院院長指派 (D)由總統提名，立法委員行使同意權
- 司法院院長與副院長如何產生？  
(A)司法院院長由總統提名，經立法院同意任命，副院長則由院長任命之  
(B)兩者均由總統提名，經立法院同意任命  
(C)兩者均由司法院大法官互選之  
(D)院長由各級法院法官選舉之，副院長由院長任命之
- 憲法第 13 條規定，人民有信仰宗教之自由，下列敘述何者正確？  
(A)依據司法院釋字第 460 號解釋之意旨，國家對於建物係供神壇使用，已非土地稅法第 9 條所稱之自用住宅用地之認定，因未區分不同宗教信仰，乃違背憲法上的平等原則  
(B)依據司法院釋字第 490 號解釋之意旨，人民有信仰與不信仰任何宗教之自由，以及參與或不參與宗教活動之自由  
(C)依據司法院釋字第 490 號解釋之意旨，國家得對特定之宗教加以獎勵或禁制，或對人民特定信仰界予優待或不利益  
(D)依據司法院釋字第 573 號解釋之意旨，國家不得以法律對於宗教團體管理、處分其財產加以規範
- 依司法院大法官解釋意旨，下列何種事項不受訴訟權保障？  
(A)選舉委員會駁回候選人登記參選之申請  
(B)總統拒絕人民大赦之請求  
(C)會計師懲戒覆審委員會之覆審決議  
(D)行政機關駁回人民提供政府資訊之申請
- 依司法院釋字第 708 號解釋之意旨，關於外國人之人身自由保障之敘述，下列何者正確？  
(A)外國人並無自由進入我國國境之權利，因此內政部移民署收容外國人之目的即為拘禁犯罪嫌疑人  
(B)內政部移民署遣送外國人出國於作業期間內所為之暫時收容，已限制其人身自由，應由法院裁定為之  
(C)內政部移民署於暫時收容期間屆滿後認為有繼續收容之必要，得依其職權為之，無須由法院裁定  
(D)外國人被收容後，有權請求內政部移民署使用其可理解之語言及書面，告知收容原因及法律依據
- 下列何者不屬於地方自治團體？  
(A)雲林縣斗六市 (B)南投縣集集鎮 (C)桃園市中壢區 (D)新北市烏來區
- 下列何者屬於認定行政機關之要件？  
(A)有編列附屬單位預算 (B)有辦公條戳 (C)有組織法規 (D)有獨立之辦公地點

- 12 關於法律解釋，下列何者正確？  
(A)學理解釋屬於有權解釋  
(B)刑罰必須遵守罪刑法定原則，故禁止類推解釋  
(C)依照法律條文字義所為之解釋，稱為論理解釋  
(D)不拘泥於法律條文的字義，而以整體法律秩序為基礎，闡明法律真意的解釋方法，稱為限縮解釋
- 13 下列總統發布之命令，何者須由行政院院長副署？  
(A)任命考試委員之命令  
(B)任命法務部部長之命令  
(C)任命司法院大法官之命令  
(D)任命監察院院長之命令
- 14 下列何者亦稱為消極依法行政原則？  
(A)行政保留原則  
(B)法律保留原則  
(C)法律優越原則  
(D)比例原則
- 15 下列公務員中，何者得適用刑法第 120 條之委棄守地罪？  
(A)鄉鎮長  
(B)縣市長  
(C)縣市議長  
(D)軍職人員
- 16 下列何種犯罪必須審查因果關係？  
(A)舉動犯  
(B)加重結果犯  
(C)行為犯  
(D)形式犯
- 17 下列何種行為構成教唆犯？  
(A)教唆他人打碎他人自己的玻璃瓶  
(B)教唆他人取走別人的財物  
(C)教唆他人正當防衛  
(D)教唆他人踩死螞蟻
- 18 依據勞動基準法第 16 條規定，雇主依規定預告終止勞動契約時，下列有關預告期間之敘述何者正確？  
(A)不論工作期間長短，一律要於五日前預告  
(B)繼續工作三年以上者，於三十日前預告  
(C)繼續工作三年以上者，於二十日前預告  
(D)繼續工作一年以上三年未滿者，於十日前預告
- 19 受僱者育嬰留職停薪期間之社會保險保費由何人負擔？  
(A)無論受僱者或雇主負擔部分，皆由國家支付  
(B)雇主負擔部分，由國家負擔  
(C)勞工負擔部分，由國家負擔  
(D)勞工負擔部分，仍由勞工支付，但得遞延三年繳納
- 20 習慣須具備下列何種要件，始有法之效力？  
(A)須有外部要素，即人人確信其為法律，甘願受其拘束而無爭議者  
(B)須有內部要素，即該習慣事實確屬存在與慣行  
(C)原則上須為法律所未規定之事項  
(D)可違反公共秩序或善良風俗
- 21 總統蔡英文的五二〇就職演說中談到，亞太地區的安全情勢變得越來越複雜，而兩岸關係也成為建構下列何者的重要一環？  
(A)區域和平與集體安全  
(B)中國崛起與亞洲共同體  
(C)美國亞洲再平衡與圍堵戰略  
(D)美日同盟與東協區域論壇
- 22 依據臺灣地區與大陸地區人民關係條例第 33 條之 2 規定，臺灣地區各級地方政府機關（構）或各級地方立法機關，非經內政部會商行政院大陸委員會報請下列何者同意，不得與大陸地區地方機關締結聯盟？  
(A)國家安全會議  
(B)立法院  
(C)行政院  
(D)監察院
- 23 依據臺灣地區與大陸地區人民關係條例施行細則第 18 條規定，大陸地區人民經強制出境者，治安機關應將其身分資料、出境日期及法規依據，送下列何者建檔備查？  
(A)國家安全會議  
(B)內政部移民署  
(C)行政院大陸委員會  
(D)內政部警政署與法務部調查局
- 24 依據臺灣地區與大陸地區人民關係條例第 21 條規定，大陸地區人民經許可進入臺灣地區者，除法律另有規定外，非在臺灣地區設有戶籍滿多少年，不得擔任情報機關（構）人員，或國防機關（構）之相關人員？  
(A)六年  
(B)十年  
(C)十二年  
(D)二十年
- 25 總統蔡英文的五二〇就職演說中談到，政府會依據下列何者處理兩岸事務？  
(A)兩岸協議監督條例與促進轉型正義條例  
(B)國際法與國際條約  
(C)臺灣關係法與聯合國憲章  
(D)中華民國憲法、兩岸人民關係條例及其他相關法律
- 26 美國前總統雷根曾向臺灣提出「六項保證」，下列何者屬於「六項保證」範圍之內？  
(A)美國將逐年增加對臺軍售  
(B)美國將扮演臺北與北京之間調停角色  
(C)美國將對兩岸談判施加壓力  
(D)美國並未改變有關臺灣主權之立場
- 27 美國對兩岸關係的基本架構，主要依據「一法三公報」，依時間先後排序，下列何者正確？  
(A)臺灣關係法、上海公報、建交公報、八一七公報  
(B)八一七公報、建交公報、上海公報、臺灣關係法  
(C)上海公報、八一七公報、建交公報、臺灣關係法  
(D)上海公報、建交公報、臺灣關係法、八一七公報
- 28 依據臺灣地區與大陸地區人民關係條例施行細則第 6 條規定，申請回復臺灣地區人民身分有特定情形者，主管機關得不予許可其申請。下列何者不屬之？  
(A)有事實足認有危害國家安全、社會安定之虞者  
(B)現（曾）擔任大陸地區黨務、軍事、行政職務  
(C)現（曾）在大陸地區教學、研究、經商  
(D)現（曾）擔任大陸地區具政治性機關（構）、團體之職務或為其成員

- 29 1983 年 6 月，鄧小平發表對兩岸和平統一的「設想」，其後被視為中共「一國兩制」政策的確立，中共將其整理為鄧小平的「六點設想」（簡稱「鄧六條」），其內涵不包括：
- (A)一個中國 (B)兩制並存 (C)完全自治 (D)和平談判
- 30 2008 年兩岸恢復事務性協商機制後，兩岸兩會（財團法人海峽交流基金會、海峽兩岸關係協會）已舉行 11 次高層會談，簽署 23 項協議，務實解決兩岸交流及攸關人民權益的各項問題，以保障臺灣人民權益。23 項協議中尚未生效者為何？①海峽兩岸民航飛航安全與試航合作協議 ②海峽兩岸避免雙重課稅及加強稅務合作協議 ③海峽兩岸服務貿易協議 ④海峽兩岸投資保障和促進協議
- (A)②③ (B)①④ (C)③④ (D)①②
- 31 Studies have shown that individuals tend to evaluate the implementation of testing programs as less \_\_\_\_\_ when fair procedures have been used.
- (A)objectified (B)objective (C)ostensible (D)objectionable
- 32 The two governments organized forums to \_\_\_\_\_ the possibility of establishing energy efficiency measures.
- (A)extract (B)exhibit (C)explore (D)extort
- 33 Unlike most other members of the crow family, the magpie is relatively fearless and \_\_\_\_\_.
- (A)excessive (B)erroneous (C)invasive (D)progressive
- 34 Some scientists fear that there won't be enough oil in the future to meet global \_\_\_\_\_.
- (A)protection (B)warming (C)commission (D)demand
- 35 I always try hard to imprint features of a new acquaintance on my memory. Yet chances are the next time when I \_\_\_\_\_ into him, I won't know who he is.
- (A)knock (B)slam (C)bump (D)smash

請依下文回答第 36 題至第 39 題

The American computer company IBM says it has developed a microprocessor – a computer chip – that works much like the human brain. IBM calls the chip True North. It is the 36 of a postage stamp. The chip has 5.4 billion tiny parts that work like the human brain's neurons and synapses. Neurons and synapses are the cells and electric forces that carry messages 37 the brain. True North has 1 million neurons and 256 million synapses. The human brain has 100 billion neurons and up to 150 trillion synapses. IBM says it can program the new chip to understand difficult problems and then solve them as humans would. The company says the True North chip could be used as a brain for 38 robots. It can also be used for controlling new kinds of wheel chairs or for recording conversations 39 several people and then making a printed record of those conversations. True North is still being tested. But IBM says it could be available for public use in two to three years. The chip is just one example of machines becoming more and more like humans. This field of study is called artificial intelligence, or AI. Some experts believe computers will someday become more intelligent than humans.

- 36 (A)sign (B)size (C)search (D)sample
- 37 (A)come and go (B)left and right (C)good and bad (D)to and from
- 38 (A)black and white (B)lost and found (C)search-and-rescue (D)life-and-death
- 39 (A)involving (B)neglecting (C)bypassing (D)excluding

第 40 題至第 43 題為篇章結構，各題請依文意從四個選項中選出最合適者，答案選用不能重複

Research shows that smiling has many positive effects on our health. This might explain why the people in the studies with bigger smiles had longer lives. 40 It also lowers blood pressure. Smiling can affect the brain in the same way as exercise. For example, it increases the amount of feel-good hormones such as serotonin and endorphins. 41 Furthermore, recent brain research shows that just the act of smiling can actually make us happier. 42 But then, our smiles send a message back to the brain that makes us feel even happier. Smiling is clearly good for us. 43 It is easy to see that smiling is much more than just an expression of happiness. It's a powerful tool for maintaining both emotional and physical health.

- 40 (A)Endorphins not only make us feel better, but reduce pain as well.  
(B)Studies show that smiling reduces stress and stress-related hormones.  
(C)We can even get the benefits of smiling just by making ourselves smile.  
(D)In other words, we smile because something happens that makes us happy.
- 41 (A)Endorphins not only make us feel better, but reduce pain as well.  
(B)Studies show that smiling reduces stress and stress-related hormones.  
(C)We can even get the benefits of smiling just by making ourselves smile.  
(D)In other words, we smile because something happens that makes us happy.
- 42 (A)Endorphins not only make us feel better, but reduce pain as well.  
(B)Studies show that smiling reduces stress and stress-related hormones.  
(C)We can even get the benefits of smiling just by making ourselves smile.  
(D)In other words, we smile because something happens that makes us happy.
- 43 (A)Endorphins not only make us feel better, but reduce pain as well.  
(B)Studies show that smiling reduces stress and stress-related hormones.  
(C)We can even get the benefits of smiling just by making ourselves smile.  
(D)In other words, we smile because something happens that makes us happy.

請依下文回答第 44 題至第 47 題

Some 66m years ago Earth was hit by a space rock reckoned to have been 10km across. The resulting chaos caused the extinction of dinosaurs and many other species, opening the way for the age of mammals—and ultimately humans. It also left a big hole in what is now southern Mexico. That hole is one of only three known of similar dimensions (the other two are Vredefort in South Africa and Sudbury in Canada). And this is odd. For, during the billions of years that Earth has had a solid crust, many more than three big asteroids might have been expected to have hit it.

That thought led Brandon Johnson of the MIT and Timothy Bowling of Purdue University in Indiana, to wonder how many other craters have vanished, either by erosion or by being swallowed into Earth's interior as its crust moves around, and therefore whether it is likely that some have survived and been overlooked. They have just published their analysis in *Geology*.

Earth's crust formed more than 4 billion years ago, but the oldest surviving blocks of it large enough to harbor craters date back only 3.5 billion years. What is known of the sizes and orbits of modern asteroids suggests that, if things have not changed over the aeons, about 14 big asteroids (defined as having a diameter of more than 7.4km, which would cause a crater at least 85km in diameter) should hit Earth every billion years. That means 49, give or take seven, over the past 3.5 billion years. Such impacts may have been more common in the past, when more big asteroids were around. Allowing for this, Earth would have been hit by 113, give or take 11, of them. Either way, a lot of craters are missing.

- 44 How large is the crater created in southern Mexico by the asteroid 66m years ago?  
(A) 10km across in diameter. (B) 85km in diameter.  
(C) 7.4km in diameter. (D) Not mentioned in the article.
- 45 Over the past 3.5 billion years, roughly how many asteroids may have hit Earth?  
(A) 14 (B) 85 (C) 113 (D) 11
- 46 How many other craters of a dimension similar to the one in southern Mexico are known to people?  
(A) 3 (B) 2 (C) 1 (D) 4
- 47 What can we infer about the missing craters?  
(A) They never left any impact on Earth. (B) They have not been completely eroded.  
(C) They were far more than the surviving ones. (D) They were hit by more than one asteroid.

請依下文回答第 48 題至第 50 題

In 1881 a young woman named Mabel Loomis Todd wrote her parents about “the *character* of Amherst...a lady whom the people call the ‘Myth’: she has not been outside of her own house in fifteen years.... She dresses wholly in white, and her mind is said to be perfectly wonderful.” So began the legend of Emily Dickinson, one of the greatest poets of the nineteenth century, who was for years portrayed by biographers and critics as an eccentric recluse, a “little home-keeping person,” a mad spinster who had been disappointed in love. For, four years after this New England woman in white died in 1886, the same Mabel Loomis Todd brought out a volume containing selections from 1,776 strange and passionate poems, which had been found, neatly sewed into booklets, in her bureau drawers, and the imagination of the public was immediately seized by the mysterious discrepancy between what seemed to be the isolation of Dickinson's life and the intensity of her art. To many, indeed, the “case” of Emily Dickinson—only eight of whose poems had been published in her lifetime—seemed to offer a crucial model for the situation of the woman poet. Eccentricity, reclusiveness, and most of all, thwarted romance—these appeared to be the conditions that might drive a woman to what was, for women, the perversity of writing verses.

- 48 According to the passage, what was the relationship between Mabel Loomis Todd and Emily Dickinson?  
(A) They are mother and daughter. (B) They are sisters.  
(C) They are a lesbian couple. (D) It is not clearly mentioned.
- 49 According to the passage, which of the following statements is true about Emily Dickinson?  
(A) She was very popular when she was still alive. (B) She was colorblind and could only see white color.  
(C) Her poetry has a very unique style. (D) Besides poems, she also wrote novels.
- 50 When did Mabel Loomis Todd find Dickinson's poems?  
(A) 1886 (B) 1890 (C) 1776 (D) 1881



# 測驗式試題標準答案

考試名稱：105年公務人員特種考試司法人員、法務部調查局調查人員、國家安全局國家安全情報人員、海岸巡防人員及移民行政人員考試

類科名稱：財經實務組、醫學鑑識組、資訊科學組、法律實務組、化學鑑識組、調查工作組(選試西班牙文)、電子科學組、營繕工程組、調查工作組(選試英文)、調查工作組(選試土耳其文)、資訊組(選試英文)、國際組(選試法文)、國際組(選試英文)、國際組(選試日文)、國際組(選試韓文)、情報組(選試英文)、電子組(選試英文)、數理組(選試英文)、政經組(選試英文)

科目名稱：綜合法政知識與英文(包括中華民國憲法、法學緒論、兩岸關係、英文)(試題代號：1401)

單選題數：50題

單選每題配分：2.00分

複選題數：

複選每題配分：

標準答案：

更多國安考試科目的歷屆題庫  
立即上網搜尋“國安考試歷屆考古題”  
高鋒公職補習班整理  
Line@帳號：@gaofeng  
連絡電話：07-236-7296

題號	第1題	第2題	第3題	第4題	第5題	第6題	第7題	第8題	第9題	第10題
答案	B	C	D	C	B	B	B	B	D	C

題號	第11題	第12題	第13題	第14題	第15題	第16題	第17題	第18題	第19題	第20題
答案	C	B	B	C	D	B	B	B	D	C

題號	第21題	第22題	第23題	第24題	第25題	第26題	第27題	第28題	第29題	第30題
答案	A	C	B	D	D	D	D	C	C	A

題號	第31題	第32題	第33題	第34題	第35題	第36題	第37題	第38題	第39題	第40題
答案	D	C	C	D	C	B	D	C	A	B

題號	第41題	第42題	第43題	第44題	第45題	第46題	第47題	第48題	第49題	第50題
答案	A	D	C	D	C	B	C	D	C	B

題號	第51題	第52題	第53題	第54題	第55題	第56題	第57題	第58題	第59題	第60題
答案										

題號	第61題	第62題	第63題	第64題	第65題	第66題	第67題	第68題	第69題	第70題
答案										

題號	第71題	第72題	第73題	第74題	第75題	第76題	第77題	第78題	第79題	第80題
答案										

題號	第81題	第82題	第83題	第84題	第85題	第86題	第87題	第88題	第89題	第90題
答案										

題號	第91題	第92題	第93題	第94題	第95題	第96題	第97題	第98題	第99題	第100題
答案										

備註：



105年公務人員特種考試司法人員、法務部  
調查局調查人員、國家安全局國家安全情報  
人員、海岸巡防人員及移民行政人員考試試題

代號：40830  
60730  
60830

全一張  
(正面)

考試別：調查人員、國家安全情報人員

等別：三等考試

類科組：調查人員電子科學組、國家安全情報人員資訊組、電子組

科目：計算機概論

考試時間：2小時

更多國安考試科目的歷屆題庫  
立即上網搜尋“國安考試歷屆考古題”  
高鋒公職補習班整理  
Line@帳號：@gaofeng  
連絡電話：07-236-7296

座號：\_\_\_\_\_

※注意：(一)禁止使用電子計算器。

(二)不必抄題，作答時請將試題題號及答案依照順序寫在試卷上，於本試題上作答者，不予計分。

- 一、(一)以邏輯運算"AND"實現遮罩運算(masking)的目的為何？請以兩組8-bit位元串的運算元(operands)為例說明此種遮罩運算的效果。(10分)
- (二)如何利用上述的邏輯運算將小寫英文字母的ASCII碼轉成大寫？寫出其步驟並以"a"轉成"A"為例說明之。其中"a", "b", ..., "z"的ASCII碼分別是十進制的97, 98, ..., 122；"A", "B", ..., "Z"的ASCII碼分別是十進制的65, 66, ..., 90。(15分)
- 二、(一)在TCP/IP協定組的階層式架構，若要過濾以下各項到來的訊息，防火牆應分別安裝在那一層？(12分)
- (a)訊息內容。
- (b)來源位址。
- (c)應用程式型態。
- (二)說明TCP協定與UDP協定的差異。(8分)
- 三、(一)若一棵二元樹(binary tree)共有235個節點(node)，已知它有78個樹葉節點(leaf node)，試求分支度(degree of branch)為1的節點數是多少？(10分)
- (二)考慮存放整數元素的堆疊cStack，並限定只能使用四個堆疊方法(stack method)：isEmpty()、pop()、pop(int x)與push(int y)。使用虛擬碼(pseudocode)或C++撰寫程式片段，彈出cStack所有的元素，並回傳這些元素的總和。(10分)
- 四、請解釋下列關鍵術語：(每小題5分，共15分)
- (一)資訊隱私權(right of information privacy)
- (二)原始碼檢測(source code analysis)
- (三)滲透測試(penetration test)

(請接背面)

105年公務人員特種考試司法人員、法務部  
調查局調查人員、國家安全局國家安全情報  
人員、海岸巡防人員及移民行政人員考試試題

代號：40830  
60730  
60830

全一張  
(背面)

考試別：調查人員、國家安全情報人員

等別：三等考試

類科組：調查人員電子科學組、國家安全情報人員資訊組、電子組

科目：計算機概論

五、(一)假設函數 Change 定義如程式片段 A，且 X 為全域變數。若參數為傳值呼叫 (pass by value)，程式片段 B 執行會印出什麼結果？若參數為傳址呼叫 (pass by address) 的結果又如何？(10分)

程式片段 A	程式片段 B
<pre>def Change(Y):     Y=9     print(X)     print(Y)</pre>	<pre>X=5 Change(X) print(X)</pre>

(二)堆疊 bStack 含有以下資料元素，由上而下依序存放，"7"在最上面，"5"在最下面：

7 8 -3 14 5

下列程式片段將會顯示什麼結果？(10分)

```
int x;  
while (!bStack.isEmpty()){  
    bStack.pop(x);  
    if (x>0 && !bStack.isEmpty())  
        bStack.pop();  
    cout << x << endl; }
```

105年公務人員特種考試司法人員、法務部  
調查局調查人員、國家安全局國家安全情報  
人員、海岸巡防人員及移民行政人員考試試題

代號：40950  
60750

全一張  
(正面)

考試別：調查人員、國家安全情報人員  
等別：三等考試  
類科組：資訊科學組、資訊組  
科目：資料庫應用  
考試時間：2小時

更多國安考試科目的歷屆題庫  
立即上網搜尋“國安考試歷屆考古題”  
高鋒公職補習班整理  
Line@帳號：@gaofeng  
連絡電話：07-236-7296

座號：\_\_\_\_\_

※注意：(一)禁止使用電子計算器。

(二)不必抄題，作答時請將試題題號及答案依照順序寫在試卷上，於本試題上作答者，不予計分。

一、假設某一機關的關聯資料庫中有三個表 (Table)，分別是職員資料表(E)、處室單位表(D)以及請假紀錄表(H)，其中，依序各表之欄位有：

表 E (職員編號，職員姓名，單位代號，工作年資)

表 D (單位代號，單位名稱，單位主管編號，單位任務)

表 H (職員編號，請假別，請假開始日期，請假結束日期，職務代理人編號)

其中，單位主管也是屬於職員的一類，單位主管編號就是其職員編號；每位單位主管或職員只能歸屬於某一單位；職員 (含單位主管) 請假時，必須由同一單位的其他職員代理其業務，且一位職員至多同時可代理兩位同單位請假職員 (含單位主管) 的業務，單位主管不得代理請假職員之業務：

(一)為確保上述資料庫中資料的正確性與一致性，請問應該分別建置那些主鍵(primary key) 與外部鍵 (foreign key) ? (5分)

(二)請寫出 SQL 語句，可從上述資料庫中，找出職員編號：105，在整個去年 (西元 2015 年) 所有的請假中，是由職員編號：203 所代理的請假紀錄資料，亦即：(請假別，請假開始日期，請假結束日期)。(10分)

(三)請寫出 SQL 語句，當職員編號：105，擬於 2016/9/8 至 2016/9/9 請休假，從資料庫中查詢可代理其業務同仁的職員編號。(10分)

二、假設一關聯網目 (Relational Schema) R (S, E, G) 中有 3 個屬性，其中，{S,E},{S,G}是候選鍵 (Candidate Keys)，功能相依 (Functional Dependency) 有：  
{SE → G, G → E}

(一)請問 R 滿足之最高正規型式 (Normal Form) 為何？並請說明原因。(15分)

(二)請問如何處理 R，使它能再滿足更高一層的正規型式。(10分)

(請接背面)

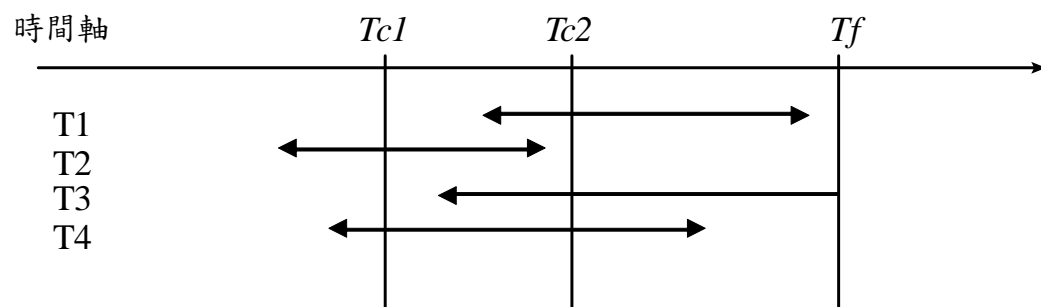
105年公務人員特種考試司法人員、法務部  
調查局調查人員、國家安全局國家安全情報  
人員、海岸巡防人員及移民行政人員考試試題

代號：40950  
60750

全一張  
(背面)

考試別：調查人員、國家安全情報人員  
等別：三等考試  
類科組：資訊科學組、資訊組  
科目：資料庫應用

三、假設有 4 筆同步執行的交易 (transactions)，其執行狀態如下圖，其中，「←」代表交易開始執行，「-」代表該交易執行中，「→」代表該交易正常結束執行； $Tc1$  與  $Tc2$  表示資料庫系統執行檢查的兩個時間點 (checkpoint)， $Tf$  則是表示在該時間點時，資料庫系統發生故障 (system failure)。請問要用何種機制，來達成資料庫系統的回復 (Recovery)？請詳細說明此機制如何運作，以及分別在各時間點上，應該進行那此事項與訊息紀錄，並說明每一筆交易在發生系統故障 ( $Tf$ ) 後，該進行何種動作？(25 分)



四、請說明何謂大數據 (Big Data)？(5 分) 何謂資料探勘 (Data Mining)？(5 分)  
近年來，各級政府與部門機關推動政府資料開放 (Open Data)，在推動的過程中，主辦機關應該注意那些重要原則？(15 分)

105年公務人員特種考試司法人員、法務部  
調查局調查人員、國家安全局國家安全情報  
人員、海岸巡防人員及移民行政人員考試試題

代號：60760

全一頁

考試別：國家安全情報人員  
等別：三等考試  
類科組：資訊組  
科目：網路應用與安全  
考試時間：2小時

更多國安考試科目的歷屆題庫  
立即上網搜尋“國安考試歷屆考古題”  
高鋒公職補習班整理  
Line@帳號：@gaofeng  
連絡電話：07-236-7296

座號：\_\_\_\_\_

※注意：(一)禁止使用電子計算器。

(二)不必抄題，作答時請將試題題號及答案依照順序寫在試卷上，於本試題上作答者，不予計分。

- 一、新一代網際網路協定 IPv6 網路位址指派方式有人工指派位址 (Static IPv6 Address)、無狀態位址自動指派 (Stateless Address Auto-Configuration, SLAAC)、無狀態 DHCPv6 位址自動指派 (Stateless DHCPv6) 及全狀態 DHCPv6 位址自動指派 (Stateful DHCPv6) 等四種。請就預設閘道 (Default Gateway)、IP 前綴 (Prefix)、主機位址 (Host ID)、DNS 位址等取得方式及適用環境，分別針對該 4 種網路位址指派方式進行比較說明。(20 分)
- 二、SSL (Secure Socket Layer) 安全協定目前被廣泛應用在 HTTP 連線，以達成電子商務應用的安全性，詳細說明 Web Server SSL 的運作原理。(20 分)
- 三、解釋下列常見的入侵偵測技術：(每小題 10 分，共 20 分)
  - (一)異常行為入侵偵測 (Anomaly Intrusion Detection)。
  - (二)錯誤行為入侵偵測 (Misuse Intrusion Detection)。
- 四、作業系統的存取控制 (Access Control) 模式分為那幾種類型？並詳細說明之。(20 分)
- 五、DNS (Domain Name Service) 是網際網路的重要基礎服務，近年來已成為 DDoS (Distributed Denial of Service) 網路攻擊的目標之一，詳細說明 DNS 放大攻擊 (DNS Amplification Attack) 的原理及其防護方法。(20 分)